

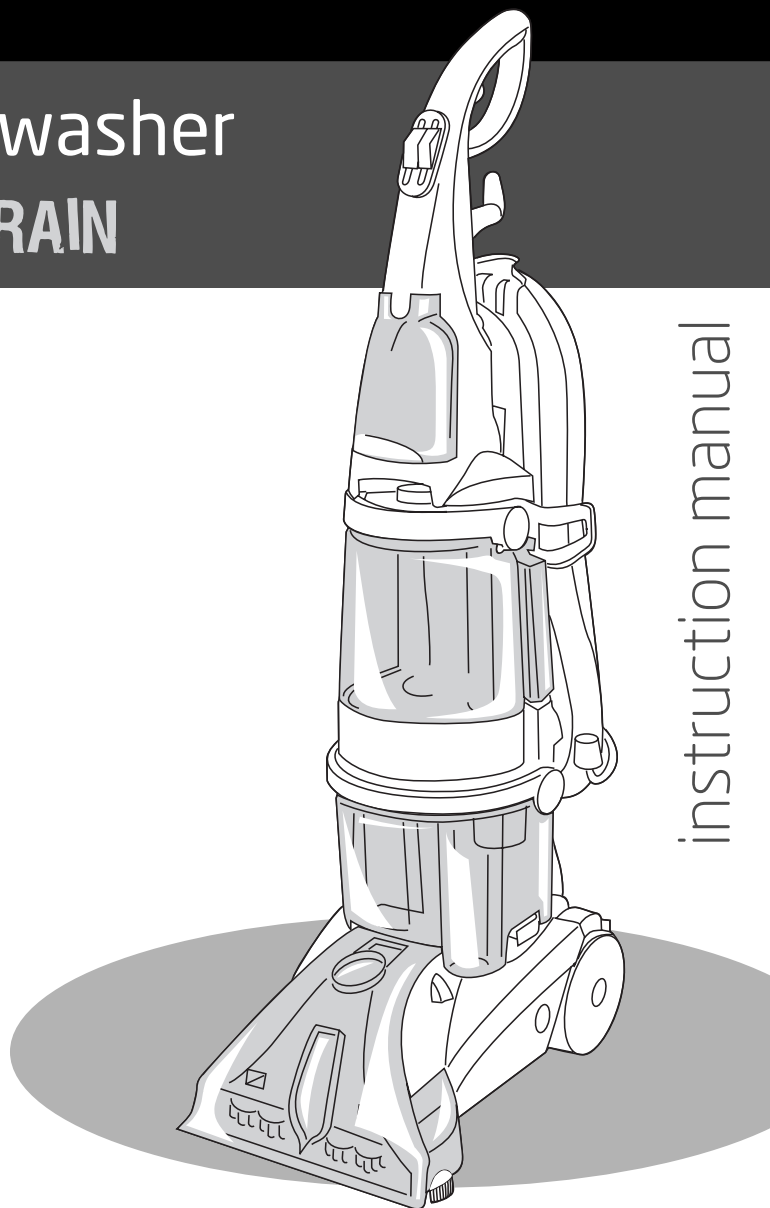


Vax careline
0870 6061248

Carpet washer

ALL TERRAIN

Vax model number:
V-125



instruction manual

www.vax.co.uk

Please read carefully before using this cleaner.
Always fully extend the mains cable before use.
Retain for future reference.

1. Diagram

V-125

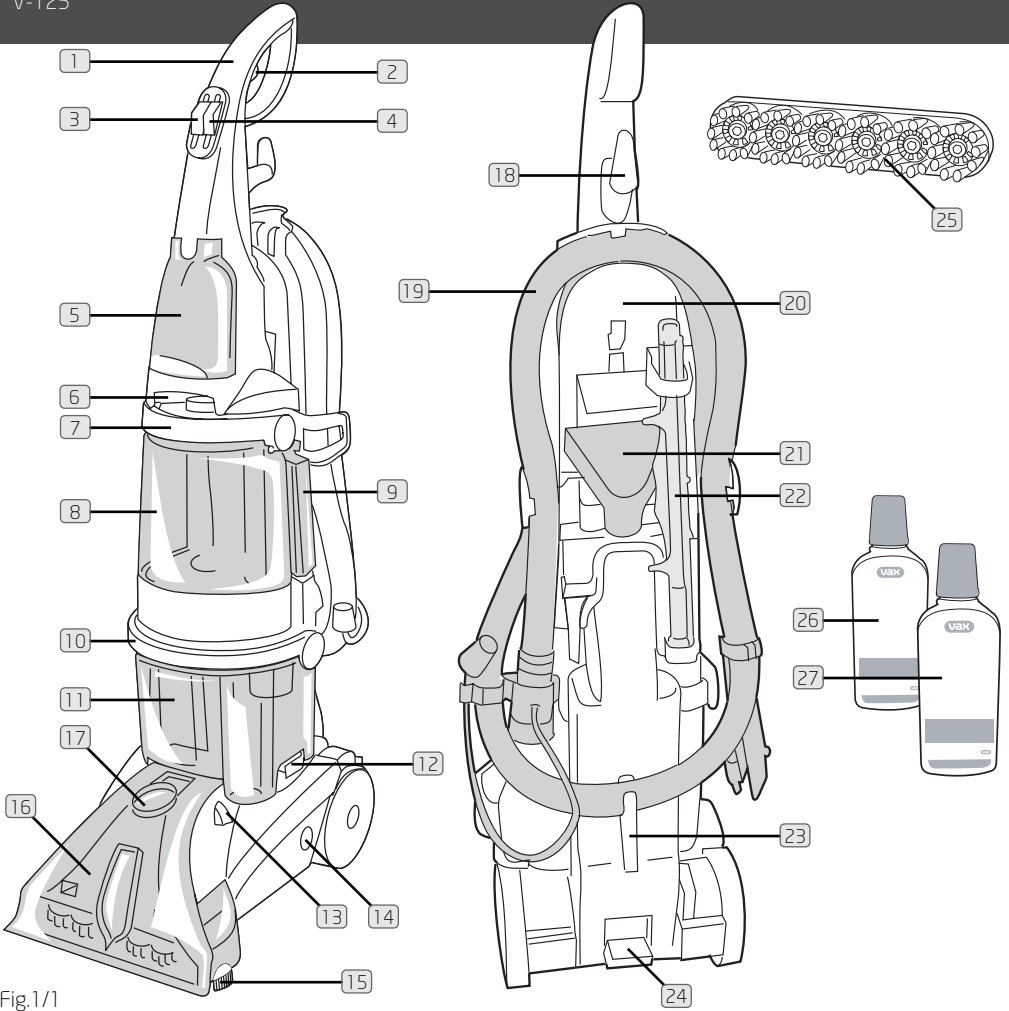


Fig.1/1

- | | | |
|-------------------------|----------------------------------|---|
| 1 Handle grip | 11 Recovery tank | 21 Stair/upholstery tool |
| 2 Solution trigger | 12 Recovery tank latches | 22 Hard floor squeegee |
| 3 On/off switch | 13 SpinScrub mode selector | 23 Cord/hose hook |
| 4 Rinse setting switch | 14 Solution tube connection port | 24 Handle release pedal |
| 5 SpinScrub hand tool | 15 Edge cleaners | 25 Hard floor brush assembly (white bristles). Not intended for use on carpet or rugs |
| 6 Carry handle | 16 Nozzle | 26 Vax carpet cleaning solution |
| 7 Solution tank handle | 17 Hose connection port | 27 Vax hard floor cleaning solution |
| 8 Solution tank | 18 Cord hook | |
| 9 Solution container | 19 Hose | |
| 10 Recovery tank handle | 20 Hose/tool caddy | |

2. Safety Information

FOR HOUSEHOLD USE ONLY.

When using the carpet washer, basic safety precautions should always be observed, including the following:

1. Do not leave the carpet washer unattended when plugged in. Unplug it from socket when not in use.
2. To prevent electric shock do not use outdoors.
3. Not to be used as a toy. Children should be supervised to ensure that they do not play with the appliance.
4. This appliance is not intended for use by persons (including children) with reduced physical, sensory or mental capabilities, or lack of experience and knowledge, unless they have been given supervision or instruction concerning the use of the appliance by a person responsible for their safety.
5. Use only as described in this manual.
6. Do not use with a damaged cord or plug. If the supply cord and/or plug is damaged, they must be replaced by the manufacturer, a Vax Service Agent or similarly qualified persons in order to avoid hazard.
7. Do not pull or carry by the cord, use the cord as a handle, allow the cord to come into contact with hot or sharp surfaces or close a door on the cord.
8. Do not unplug by pulling on the cord.
9. Do not handle the plug or carpet washer with wet hands.
10. Do not put any objects into openings or operate with openings blocked, keep them free of anything that may reduce airflow.
11. Keep hair, loose clothing, fingers and all parts of the body away from openings and moving parts.
12. Do not use the carpet washer on any glowing, burning or smoking particles.
13. Do not use without the solution tank and dirty water tank in place.
14. Do not use the carpet washer without the dust bag in place.
15. Turn off all controls before unplugging.
16. Do not use to pick up flammable or combustible liquids such as petrol, or use in areas where they may be present.
17. Keep the unit on the floor.
18. Do not use an extension cord.
19. Do not attempt to remove blockages with sharp objects as they may cause damage.
20. Store indoors put away after use to prevent tripping accidents.

21. Using improper voltage may result in damage to the motor and possible injury to the user. The correct voltage is listed on the rating label.
22. A hazard may occur if the carpet washer runs over the power supply cord.
23. To prevent dirty water from running into motor, do not hold the appliance upside-down or lay on its side. Use appliance in normal vacuuming position.
24. Use extra care when cleaning on stairs.
25. Do not carry appliance while motor is running.

NOTE: Carpets should be dry vacuumed thoroughly before washing.

NOTE: The unit must be unplugged from the mains socket outlet after use, and before cleaning or maintaining the unit.



IMPORTANT: This unit is not intended for commercial use.

PLEASE KEEP THESE INSTRUCTIONS FOR FURTHER USE.

3. Assembly

Attach Upper Handle

Remove clean water tank (upper tank) from cleaner (Fig.3/1).

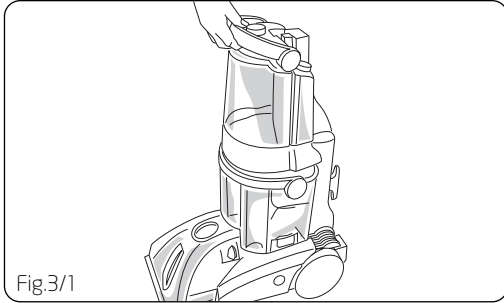


Fig.3/1

NOTE: If the cord protector (A) on back of handle should become dislodged during unpacking, make sure it is repositioned properly before continuing with assembly of your cleaner.

With the arrow (B) on the cord protector pointing down, press groove (C) in the cord protector into slot in the lower handle (Fig.3/2).

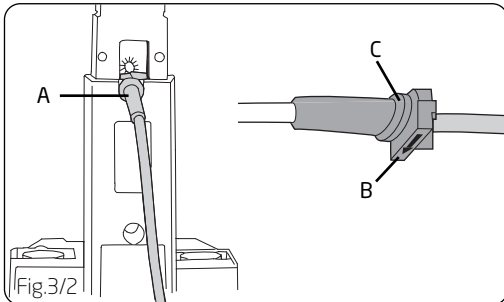


Fig.3/2

With cord hook to back of cleaner, push upper handle down onto lower handle (Fig.3/3).

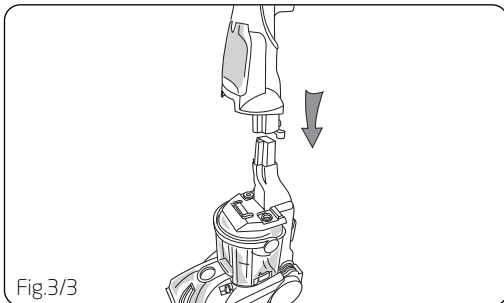


Fig.3/3

Push bolts into holes on front of handle. If bolts will not go through hole easily, handle is not pushed completely down. Place nuts in recessed areas on back of the handle. Hold each nut in place while tightening each bolt securely (from the front of the handle) with a Phillips screw driver (Fig.3/4).

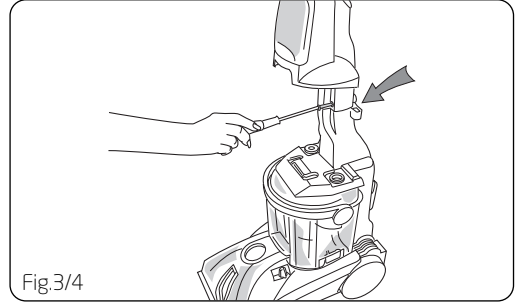


Fig.3/4

NOTE: Only two nuts are needed on this model. The extra nut is not required but has been provided for your convenience.

Replace clean water tank (upper tank) by positioning bottom first. Press tank into place (Fig.3/5)

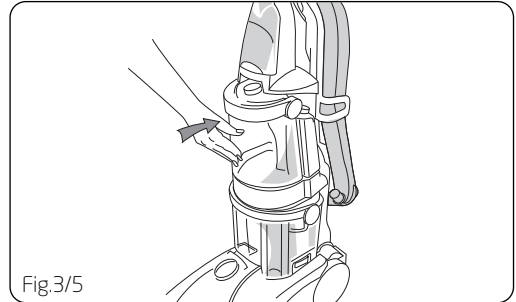


Fig.3/5

Attach Hose/Cord Hook

Insert tabs on hook into slots on back of cleaner. Snap hook onto cleaner (Fig.3/6).

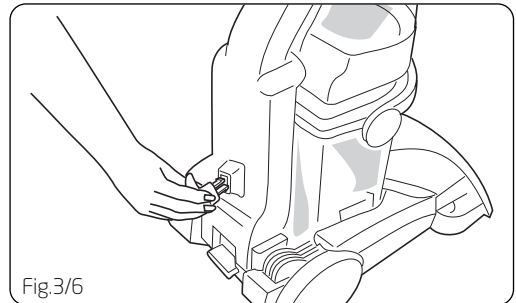


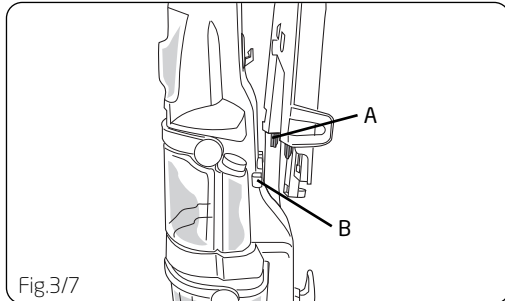
Fig.3/6

Attach Hose/Tool Caddy

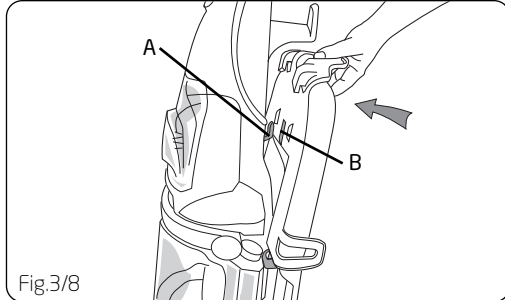
The hose/tool caddy is designed to be used either on the cleaner for easy access to the tools and hose, or if the tools are not going to be used, it can be removed and hung for storage.

If you do not want to attach the caddy to the cleaner at this time, proceed to the "Storing Hose and Tools" section for proper hose placement on the caddy.

Slide tabs (A) on caddy into slots (B) on back of cleaner (Fig.3/7).

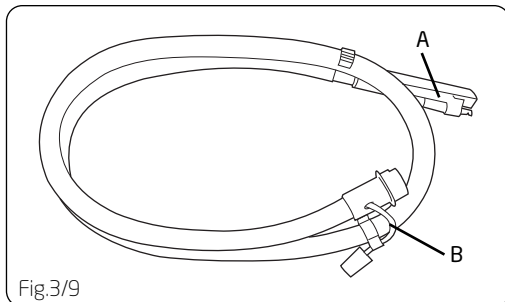


Rotate top of caddy toward cleaner handle. Slide caddy down so notch (A) on caddy rests in hook (B) on cleaner (Fig.3/8).



Identify the hose parts before storing hose (Fig.3/9):

- A. Nozzle connector end
- B. Solution tube



Storing Hose and Tools

Press hose, a few centimetres from nozzle connector end, into caddy. Bring hose up and over top of caddy.

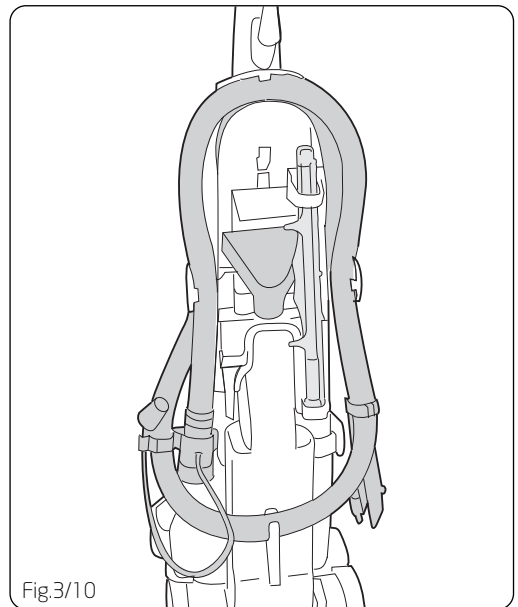
Press hose into opposite side of caddy. Loop hose at bottom of cleaner and press into top of hook.

Loop hose over top of caddy again. Slide hose clip toward end of hose. Snap tab on hose connector into hose clip. Repeat on other end of hose.

Press solution tube into opposite side of clip.

Snap stair/upholstery tool onto caddy.

Insert top of hard floor squeegee through "loop" on caddy. Slide squeegee down into place.



4. Operation

Before You Begin Cleaning

Vacuum thoroughly - For carpet, use a Vax vacuum cleaner with an brushbar for best results. Vacuum upholstery with a vacuum cleaner with cleaning tool attachments. Use a crevice tool to reach into tufts and folds. Do not use the Dual V cleaner as a dry vacuum cleaner. For upholstery, always check the manufacturers guidelines before washing.

Test for colorfastness - Wet a white absorbent cloth with the solution. In a small, hidden area, gently rub the surface with the dampened cloth. Wait ten minutes and check for colour removal or bleed with white paper towel or cloth. If surface has more than one colour, check all colours.

When cleaning entire floor, move furniture out of area to be cleaned (may not be necessary if only high traffic areas are to be cleaned). For furniture too heavy to move, place aluminum foil or wax paper under legs. This will prevent wood finishes from staining carpet. Pin up furniture skirts and curtains.

On/Off Switch

To turn cleaner ON, push switch down. To turn cleaner OFF, push switch up (Fig.4/1).

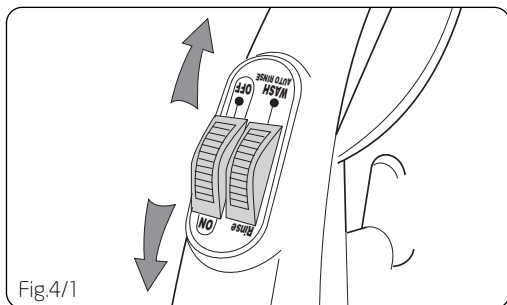


Fig.4/1

Handle Release Pedal

Step on pedal to lower handle to operating position. Handle does not lock into a single position but "floats" to allow convenient operation (Fig.4/2).

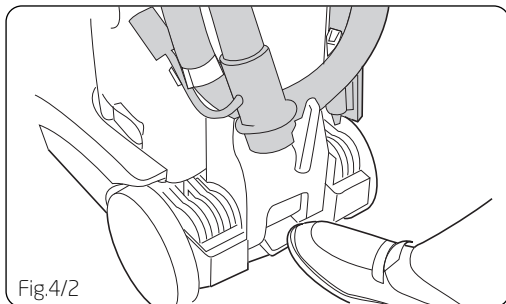


Fig.4/2

To Transport

To move your cleaner from room to room, put handle in upright and locked position, tilt cleaner back on wheels and push forward (Fig.4/3).

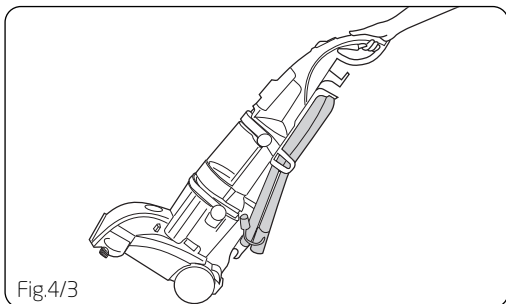


Fig.4/3

Carrying Handle

The cleaner may also be lifted by placing a hand above the upper clean solution tank handle as shown (Fig.4/4).

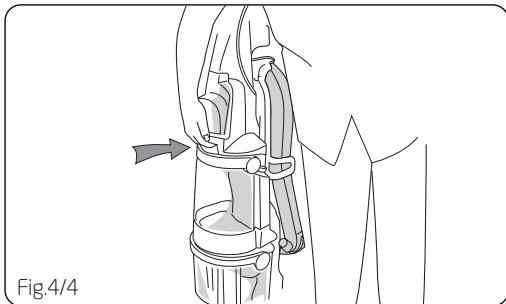


Fig.4/4

Automatic Shut Off

When the recovery tank (lower tank) is full the automatic shutoff mechanism will shut off the cleaner suction (suction will be noticeably reduced).

At that time, the yellow float disk will rise to the top of the recovery tank lid (A) (Fig.4/5).

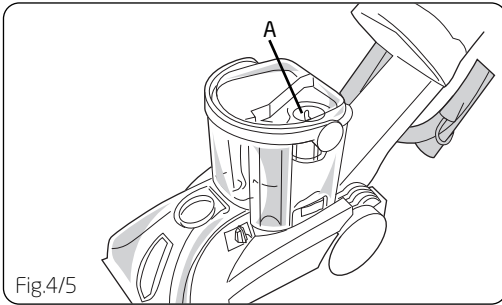


Fig.4/5

The cleaner will no longer pick up dirty solution and the motor sound will become noticeably higher in pitch.

When this happens, turn cleaner off and empty recovery tank before continuing use. Check clean water tank also; it may need to be refilled.

Do not use without float and float retainer in place. If broken or dislodged, take to an Authorized Vax Service Center or Dealer for repair.

Brush Setting Selector

Your cleaner has two brushbar settings:

ON - for normal cleaning of carpets and bare floors.

OFF - for cleaning carpets and bare floors when brushing is not desired, such as when picking up liquid spills.

Slide setting selector (A) to the desired setting before cleaning (Fig.4/6).

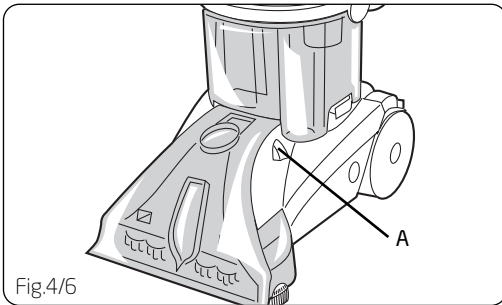


Fig.4/6

Wash/Rinse Switch

This switch allows you to easily change from cleaning your carpet with a solution/water mix to rinsing with water only.

Set the switch to WASH to clean the carpet or floor with solution and water. Set the switch to RINSE to use water only (Fig.4/7).

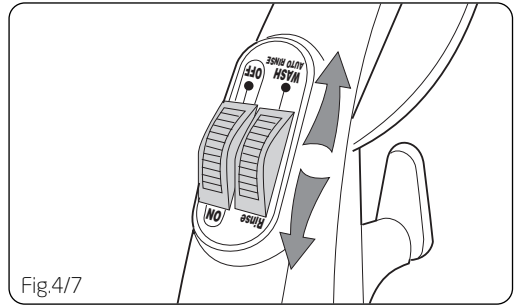


Fig.4/7

See section 5 for more details.

Clean Water Tank (Upper Tank)

The clean water tank (A) holds the water that will either be mixed with solution for cleaning the carpet or floor, or used to rinse the carpet.

The solution container (B) is permanently attached to the water tank. It holds the solution that mixes with the water (Fig.4/8).

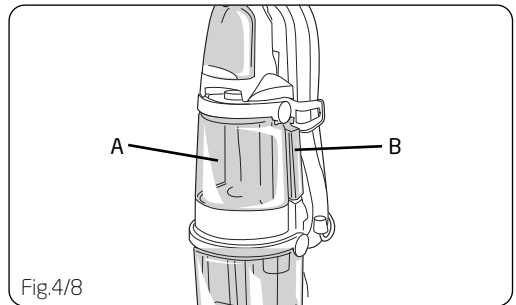


Fig.4/8

Filling the Clean Water Tank

Unplug cleaner from electrical outlet. Place cleaner handle in the upright, locked position.

To remove tank, press down on tank handle and pull forward (Fig.4/9).

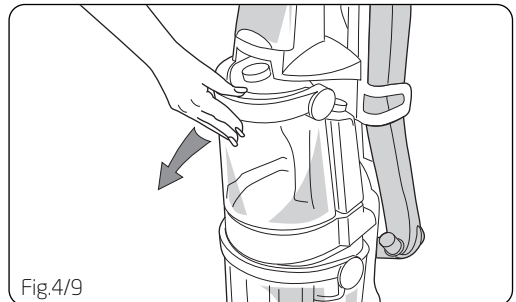


Fig.4/9

Fill tank (A) with warm tap water (Fig.4/10).

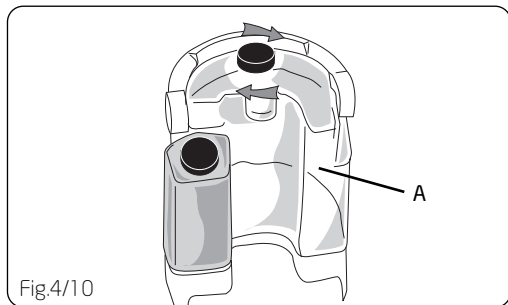


Fig.4/10

CAUTION: Do not fill with water above 50°C.

Fill solution container (B) with Vax Ultra Carpet/Upholstery Solution (Fig.4/11).

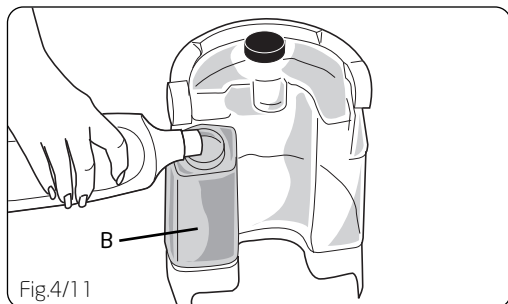





Fig.4/11

NOTE: DO NOT remove solution container from tank.

-  **IMPORTANT:** Do not use any type of wax with your cleaner.
-  **IMPORTANT:** To assure proper results, use only Vax carpet cleaning solutions.
-  **IMPORTANT:** Do not use hard floor cleaning solution on carpets or upholstery.

Replace container cap and tighten.

Position bottom of tank onto cleaner using one hand on each side of the tank to center it on the unit. Pivot the tank towards the back of the unit (Fig.4/12).

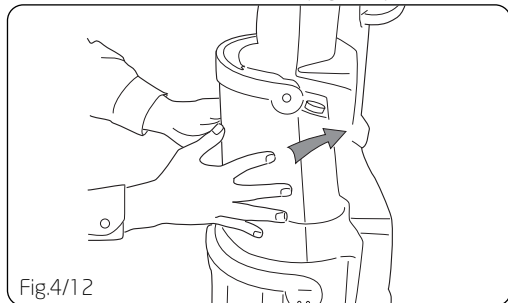


Fig.4/12

Push the top of the tank and tank handle while supporting the back of the unit with your other hand (Fig.4/13).

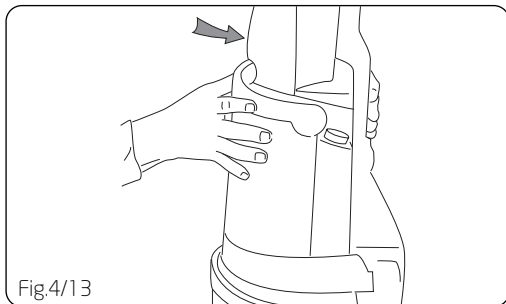


Fig.4/13

Push up on the handle once the tank is back to latch it to the unit (Fig.4/14).

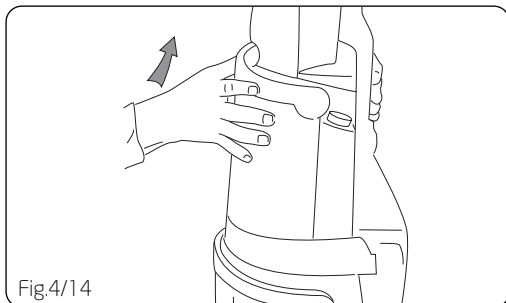


Fig.4/14

Check tank to make sure it is securely latched.

NOTE: There may be a small amount of water (indicated by arrows - Fig.4/15) on the base when the tank is removed from the unit. This is a normal condition.

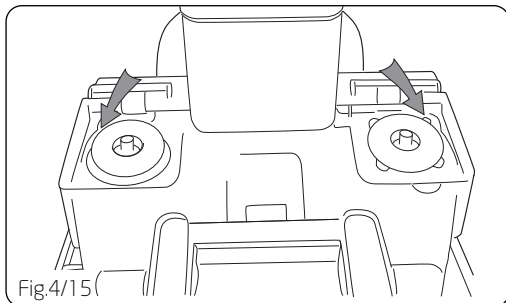


Fig.4/15

Recovery Tank (Lower Tank)

The recovery tank holds the dirty solution that is picked up from the surface being cleaned.

When the recovery tank is full, the automatic shut-off will engage, suction will stop (see page 6), and the tank must be emptied.

Emptying the Recovery Tank

Turn cleaner off and unplug from electrical outlet.

To prevent possible leaking, remove clean water tank by pressing down on tank handle and pulling forward; set tank aside (do not set tank on furniture).

Step on handle release pedal and lower handle until it rests on the floor.

Turn recovery tank latches (A) outward (one on each side of tank). Raise handle (B) straight up and lift tank off cleaner (Fig.4/16). Carry tank to sink or drain.

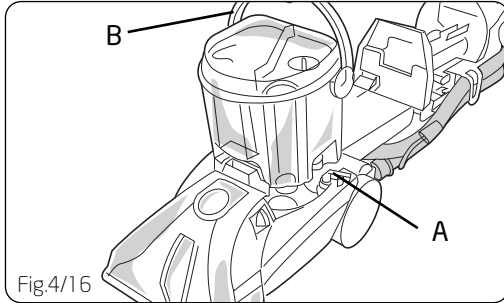


Fig.4/16

Lower handle toward back of tank to unlock lid. Lift lid off tank. Empty tank and reposition lid (Fig.4/17).

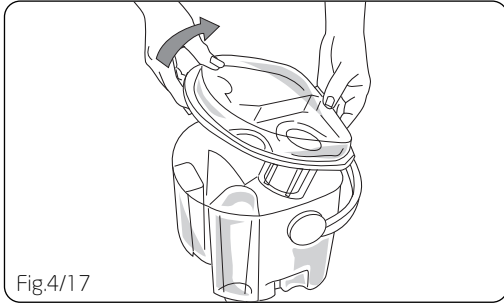


Fig.4/17

NOTE: For full suction, it is important that the recovery tank lid is properly secured before cleaning.

Raise tank handle to carrying position and place it onto cleaner. Lower handle to front of tank.

Turn latches (one on each side of tank) inward to lock tank in place. Raise handle of cleaner to upright position and reposition upper clean water tank.

5. How to Clean

Read “Before you begin cleaning” instructions on page 6.

Fill clean water tank according to instructions for Fig. 4/8 to Fig. 4/10.

Fill solution container with Vax Ultra Solution according to instructions for Fig.4/11.

Slide brush setting selector to **ON**.

Dry hands and plug cord into a **properly earthed outlet**.

Do not clean over floor electrical outlets.

To avoid walking on damp carpet, start at the end of the room farthest from the door or path to sink where tanks will be emptied and filled.

Step on handle release pedal and lower handle to operating position.

Set Wash/Rinse switch to **WASH**. Turn cleaner **ON** (Fig. 5/1).

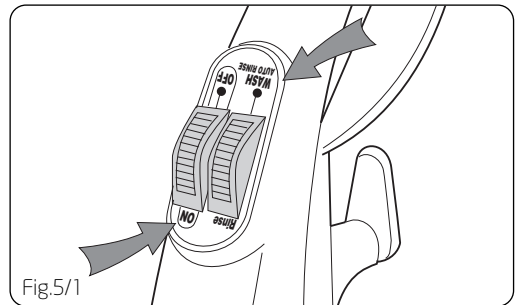


Fig.5/1

Squeeze trigger to release cleaning solution and **slowly** push cleaner forward (equals one wet stroke).

Continue to squeeze trigger and **slowly** pull cleaner back toward you (second wet stroke). Release trigger and slowly push cleaner forward over area just sprayed with solution (dry stroke). Then **slowly** pull cleaner back toward you without squeezing trigger (dry stroke) (Fig. 5/2).

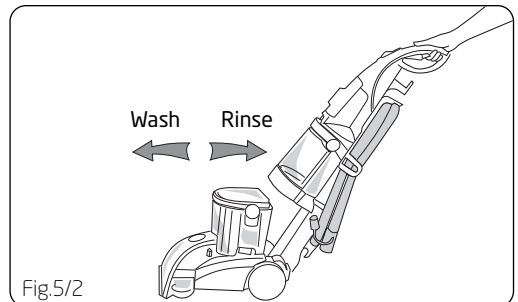


Fig.5/2

Continue using dry strokes until little water is visible passing through the recovery tank lid.

For best results, use straight, parallel strokes. Overlap strokes by 3cm to help prevent streaking. Keep nozzle flat on floor for both forward and reverse strokes (Fig. 5/3).

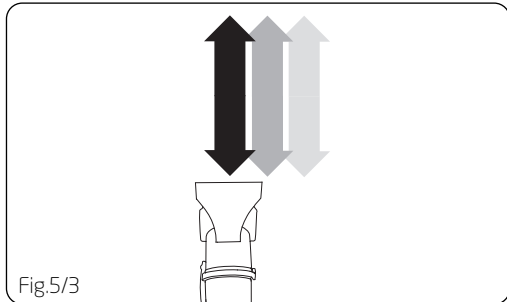


Fig.5/3

If rinsing the carpet is desired, set Wash/Rinse switch to RINSE (Fig. 5/4).

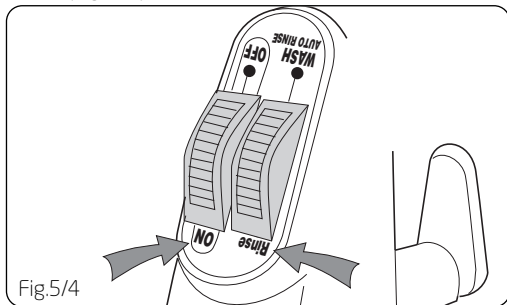


Fig.5/4

Rinsing is not necessary, but will help remove solution residue and help your carpet look fresher.

For heavily soiled areas, repeat steps 5/2-5/4. Avoid saturating carpet, as noted below.

NOTE: To avoid saturating carpet, do not use more than 4 wet strokes over one area. Always end with dry strokes.

It is best to alternate wet and dry strokes as described above.

For best cleaning results and to aid in faster drying of carpet, end with more dry strokes. (Continue using dry strokes until little water is visible passing through the recovery tank lid.)

Empty recovery tank when the motor sound becomes higher pitched and there is a loss in suction (see "Automatic shut-off", Fig. 4/5).

When finished cleaning, follow "After cleaning" instructions on page 10.

Cleaning Hard Floors

Attaching Hard Floor Tool

IMPORTANT: Unplug cleaner from electrical outlet.

To prevent possible leaking, remove clean water tank (Fig. 4/9) and recovery tank (Fig. 4/16). Set tanks aside (do not sit tank on furniture). With handle in upright position, tilt cleaner back so that handle rests on the floor.

Remove brush assembly with green bristles. Attach hard floor brush assembly with the white bristles. Lift up rear edge of nozzle. Slide nozzle up and remove from cleaner (Fig. 5/5).

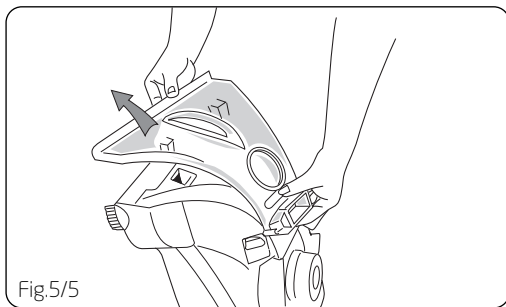


Fig.5/5

Position the bottom of the nozzle (A) inside the squeegee (B), with the tabs (C) on the squeegee behind the nozzle as shown (Fig. 5/6).

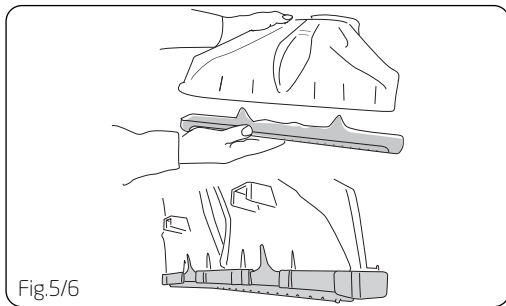


Fig.5/6

Rotate the squeegee back until secure, making sure the outside edges are pushed up tight against the nozzle.

To replace nozzle, line up tabs on nozzle with holes (E) in cleaner. Slide tabs into holes.

Slide nozzle completely onto cleaner. Press down on nozzle to secure it. Replace recovery tank.

NOTE: The nozzle must be in the proper position in order for the recovery tank to go on properly.

Raise handle to upright position and reposition clean water tank.

⚠ CAUTION: To prevent damage to wood floors, follow the flooring manufacturer's cleaning recommendations.

NOTE: If using cleaner on sealed wood floors, inspect floor surface for worn finish, bare wood or separated joints.

It is not recommended to use the cleaner on wood floors if any of these conditions exist.

Fill clean water tank according to instructions for Figs. 4/8 to 4/10.

Fill solution container with Vax Hard Floor Solution according to instructions for Figs. 4/10 to 4/11.

Slide brush setting selector to **OFF**.

Dry hands and **plug cleaner into a properly grounded outlet**.

Step on handle release pedal and lower handle to operating position.

Set Wash/Rinse switch to **WASH**. Turn cleaner ON.

To release solution, press trigger. Slowly move cleaner forward and backward over area to be cleaned.

To pick up dirty solution, release trigger and slowly move cleaner over area where solution has just been dispersed. Use both forward and reverse strokes.

If rinsing the floor is desired, set Rinse Setting switch to **RINSE**. This setting provides a water-only rinse in both the forward and reverse strokes.

Rinsing is not necessary, but will help remove solution residue from the floor.

Empty recovery tank when the motor sound becomes higher pitched and there is a loss in suction (see "Automatic shut-off", Fig. 4/5).

When finished cleaning, follow "After cleaning" instructions on page 10.

Unplug cleaner from electrical outlet and remove squeegee from nozzle. Rinse it in clear water.

Picking Up Spills

Your Vax Dual V cleaner may also be used to pick up small liquid spills on carpet, upholstery or hard floors.

For best results, pick up spills immediately by placing the stair/upholstery nozzle just above the spill and suction up any residue on top of the carpet. If the spill remains, place either the stair/ upholstery nozzle or floor nozzle with the brush setting selector to **OFF** in front of the spill, pull the nozzle very slowly over the spill initially with suction only. Repeat with spray and suction.

When picking up spills on hard floors, use the carpet cleaner with the hard floor tool in place (see "Cleaning hard floors", Figs. 5/5 & 5/6). Slide the brush setting selector to **OFF**.

If a spot is left, the stair/upholstery nozzle is generally more effective for removing it. Although no cleaning solution can completely remove all spots, they can be treated by following the instructions provided by the manufacturer of the carpet, upholstery or hard floor surface to be cleaned.

Do not use the Dual V cleaner to pick up flammable or combustible liquids or chemicals. When finished, follow "After cleaning" instructions.

Attach Hose

Unplug cleaner from electrical outlet. Open hose connection port (A) (Fig. 5/7).

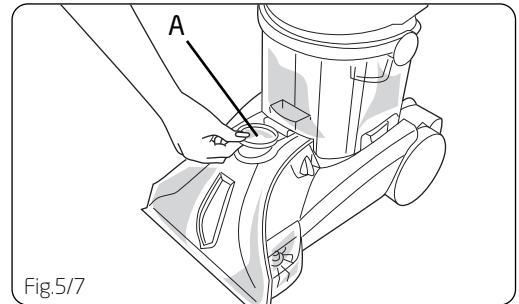


Fig.5/7

Insert short hose end, matching tabs on hose with same-sized slots in port. Push hose into port and lock in place (Fig. 5/8).

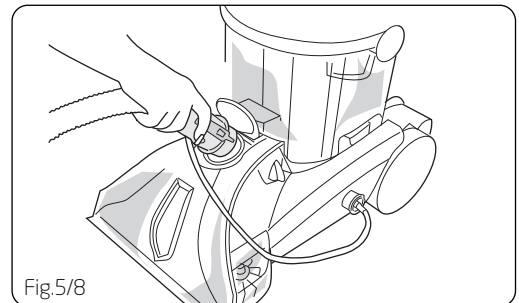
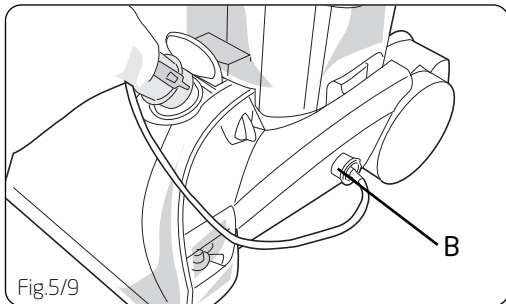
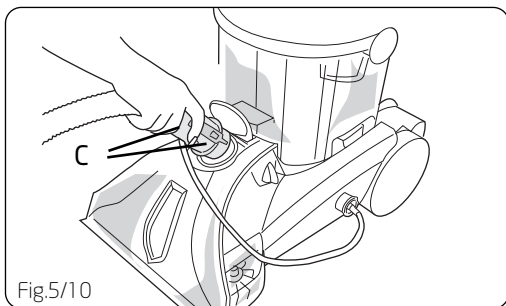


Fig.5/8

Plug solution tube firmly into solution connection port (B) (Fig. 5/9)



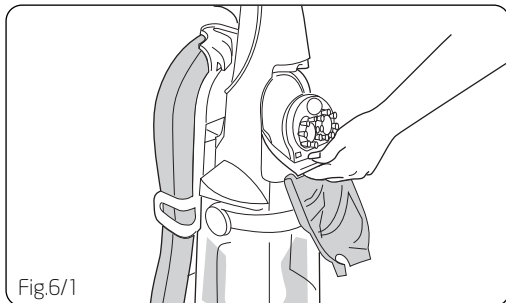
To remove hose: Squeeze latches (C) on top and bottom of hose. Remove hose from port. Close door. Remove solution tube from solution connection port by pulling the connector outwards (Fig. 5/10).



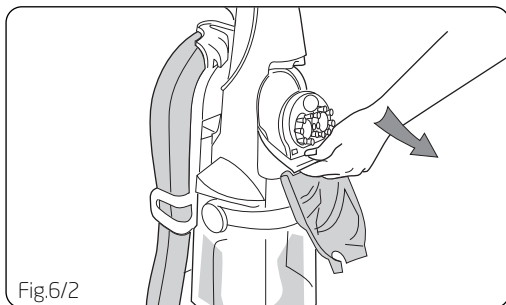
6. Accessories

SpinScrub hand tool

The SpinScrub™ hand tool has rotating brushes to agitate spots and stains. It is stored behind the tool door located on the front of the cleaner. To remove the tool, open tool door (Fig. 6/1).

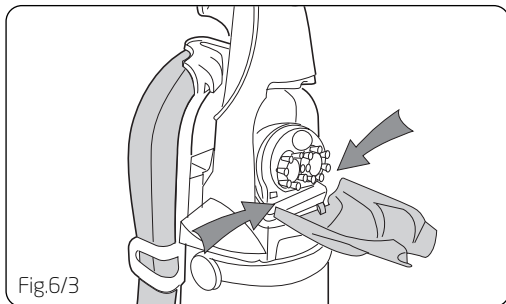


Pull tool down and outward. To reposition the tool, reverse this procedure (Fig. 6/2).



How To Reattach Tool Cover

The tool cover is designed with a breakaway feature which allows it to snap free if it is pushed open too far. To reattach, align hinges of cover with holes on sides of tool storage area. Snap door into place (Fig. 6/3).



How To Attach Tools

Unplug cleaner from electrical outlet.

Place handle in upright position and remove hose from rack. All tools attach to the hose in the same manner:

Connect tool to hose by sliding it onto connector until until the tab (A) locks it securely. Using your thumb, **push forward and up** on the latch (B) to remove tool (Fig. 6/4).

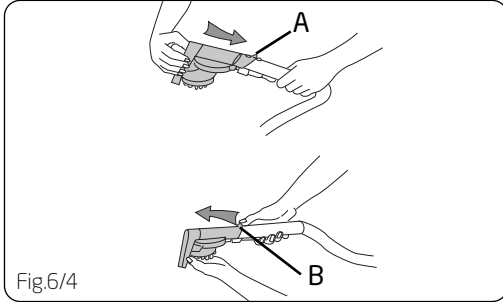


Fig 6/4

After Using Tool

Drain suction hose by turning cleaner ON and holding nozzle up for several minutes. **Do not press trigger. Unplug cleaner from electrical outlet. Disconnect hose and solution tube from cleaner.**

The tool caddy can be removed and hung on a coat hanger for storage. Drain solution tube by placing round end in sink and raising nozzle above your head. Press the trigger (Fig. 6/5).

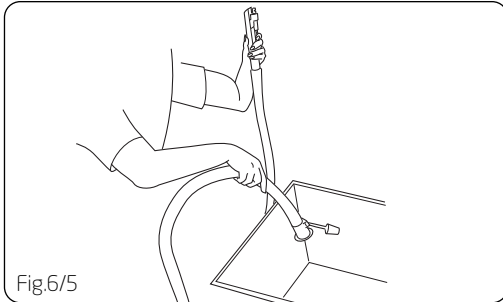


Fig 6/5

The tool caddy can be removed and hung on a coat hanger for storage (Fig. 6/6).

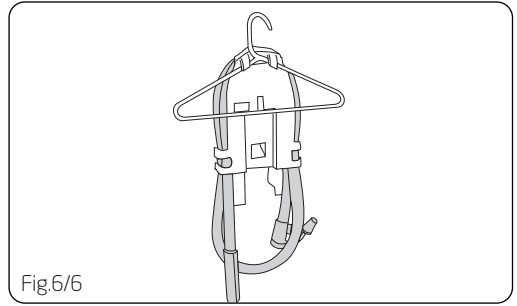


Fig 6/6

Cleaning Carpeted Stairs

Read "Before you begin cleaning" instructions on page 9.

Attach hose and solution tube as instructed previously.

Place handle in upright position. **Brushbar brushes will not rotate while handle is in upright position.**

Fill clean water tank according to instructions for Figs. 4/8 to 4/9.

Fill solution container with Vax Ultra Solution according to instructions for Figs 4/10 to 4/11.

Attach tool to end of hose.

Hose length may require that machine be placed at the top of the stairs to clean upper half of stairway and at bottom of stairs to clean lower half.

! IMPORTANT: To prevent machine from falling, use extra caution when cleaning on stairs. Do not place cleaner on stairs.

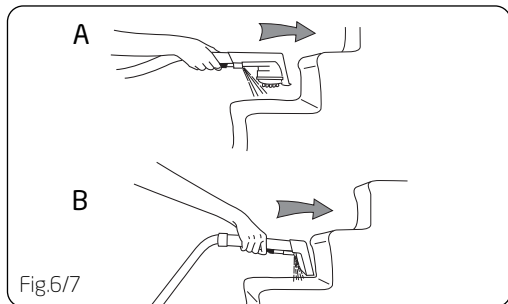
Do not point tools toward people or pets.

Dry hands and plug cleaner into a **properly grounded outlet**.

Set Wash/Rinse switch to **WASH**. Turn cleaner ON.

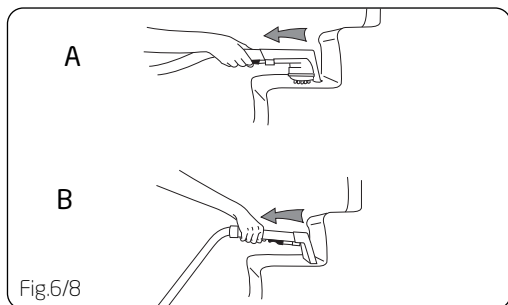
Pre-spray the carpeted stair by holding the tool (A) or (B) about one inch above the carpet and push it forward while pressing the trigger (equals one wet stroke).

Position tool against the riser and slightly press it into carpet pile. Press the trigger and pull the tool **slowly** over the carpet (second wet stroke). Release trigger at end of stroke (Fig. 6/7).



Lift tool, and position it against riser. Pull tool slowly over carpet without pressing trigger (dry stroke). Overlap strokes by 1/2 inch to help prevent streaking.

It is best to alternate wet and dry strokes as described above. End with more dry strokes to aid in faster drying of carpet (Fig 6/8).



NOTE: To avoid saturating carpet, do not use more than 4 wet strokes over any one area. Always end with dry strokes.

If additional cleaning is necessary, wait until the carpet is completely dry before using the tool again.

Empty recovery tank when the motor sound becomes higher pitched and there is a loss in suction (see "Automatic shut-off", Fig. 4/5).

When finished cleaning, follow "After cleaning" instructions on page 10 and "After using tool" instructions on page 14.

Cleaning Upholstery

Read "Before you begin cleaning" instructions on page 6.

Be sure to check the cleaning code on your upholstery. Use your cleaner only on upholstery marked "W" or "W/S".

Attach hose and solution tube as instructed.

Place handle in upright position. **Brushbar brushes will not rotate while handle is in upright position.**

Fill clean water tank according to instructions for Figs. 4/8 to 4/10.

Fill solution container with Vax Ultra Solution according to instructions for Figs. 4/10 to 4/11.

Attach tool to end of hose.

Do not point tools toward people or pets.

Dry hands and plug cleaner into a properly grounded outlet.

Set Wash/Rinse switch to **WASH**. Turn cleaner ON

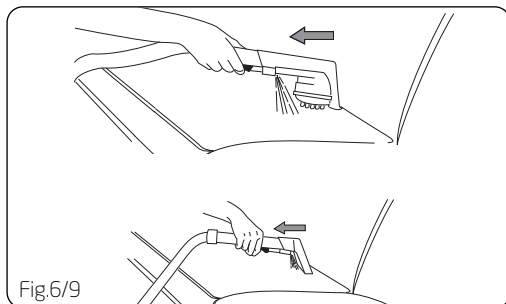
Gently press the tool onto the fabric. Press the trigger and slowly pull the nozzle over the fabric.

Overlap strokes by 3cm to help prevent streaking.

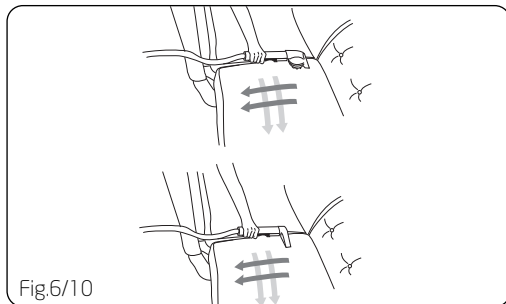
Make additional strokes without pressing the trigger to remove more moisture.

To clean in corners or creases, lift the tool 3cm from the fabric and press the solution trigger.

Vacuum up the solution with the tool without pressing the trigger (Fig. 6/9).



For heavily soiled areas, it may be necessary to repeat the cleaning process. Make crisscrossing strokes to the original pattern; overlap each pass (Fig. 6/10).



NOTE: Make no more than 2 passes with the solution or rinse over any one area to prevent over-wetting and damage to fabric.

If additional cleaning is necessary, wait until the upholstery is completely dry before using the tool again.

Empty recovery tank when the motor sound becomes higher pitched and there is a loss in suction (see "Automatic shut-off", Fig. 4/5).

When finished cleaning, follow "After cleaning" instructions on page 10 and "After using tool" instructions on page 14.

7. Maintenance

After Cleaning

Allow carpet or upholstery to dry. To help prevent matting and resoiling the carpet, keep children and pets away from surface until it is completely dry. If it is necessary to walk on damp carpet, place towels or white cloths on the traffic areas. If furniture must be replaced before the carpet is dry, place plastic or aluminum foil under legs of furniture so metal slides or wood finishes will not stain the carpet.

Empty tanks, rinse with clear water and let air dry. Rinse the recovery tank lid and let air dry. Any unused solution may be left in the solution container for future use.

Remove lint from filter screen located inside recovery tank. (Fig.7/1).

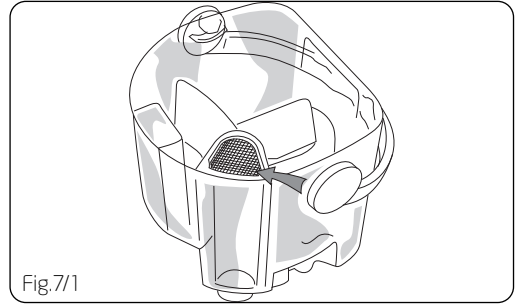


Fig.7/1

Remove lint from filter screen located on bottom of cleaner (Fig.7/2).

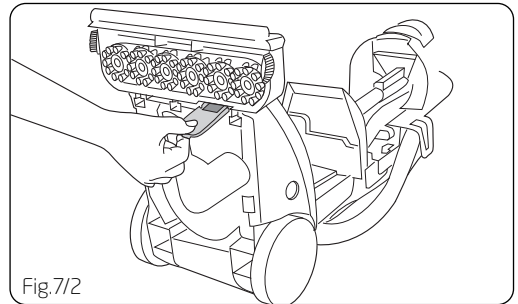


Fig.7/2

NOTE: When brushes seem to be rotating slowly, disconnect cleaner from electrical outlet and check and clean this screen.

Remove both tanks as described in Fig 4/9 & Fig 4/10. Tilt cleaner back so handle rests on floor.

Squeeze filter frame, lift and pull it out. Wipe off screen and push frame back into place. Return cleaner to upright position.

Vacuum thoroughly after carpet has completely dried. This will help reduce any shading left by the cleaner's brushes.

To Clean Nozzle

If lint or other debris becomes lodged in nozzle, it can be removed for cleaning.

Unplug cleaner from electrical outlet.

Remove both tanks as described in Fig 4/9 & Fig 4/10. With handle in upright position, tilt cleaner back so that handle rests on the floor.

Lift up rear edge of nozzle. Slide nozzle up and remove from cleaner (Fig.7/3).

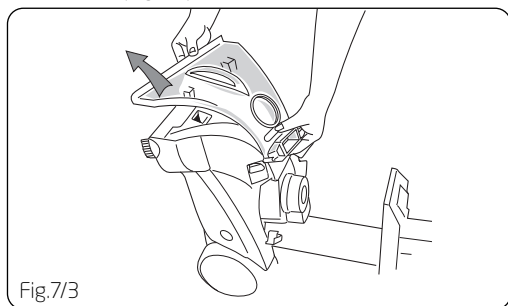


Fig.7/3

To replace nozzle, line up tabs (A) on nozzle with holes (B) in cleaner. Slide tabs into holes (Fig.7/4).

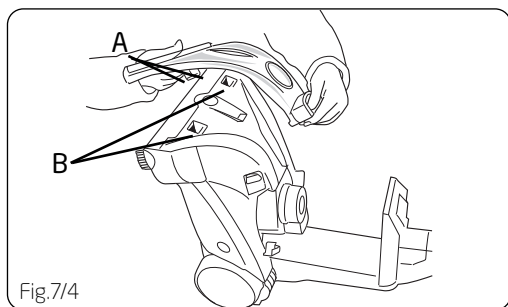


Fig.7/4

Slide nozzle completely onto cleaner. Press down on nozzle to secure it.

Replace recovery tank.

NOTE: The nozzle must be in the proper position in order for the recovery tank to go on properly.

Raise cleaner to upright position and replace clean water tank (Figs. 4/12 to 4/14).

Removable Brushes

Your cleaner is equipped with removable brushes. Follow these directions for changing brush assemblies or for easy cleaning.

To Remove Brushes

Disconnect cleaner from electrical outlet.

To prevent possible leaking, remove clean water tank and recovery tank. Set tanks aside. With handle in upright position, tilt cleaner back until handle rests on the floor (Fig. 7/5).

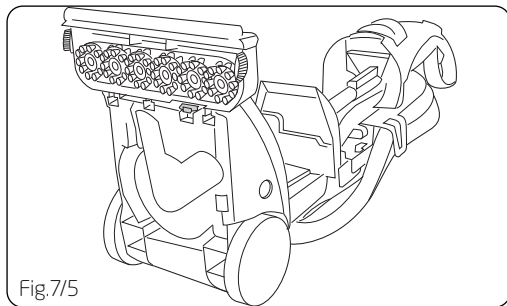


Fig.7/5

Grab brush assembly and pull firmly. The brushes can be cleaned under running water (Fig. 7/6).

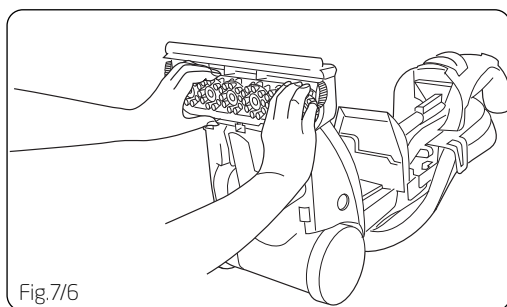


Fig.7/6

To Replace Brushes

Align posts (A) on both ends of brush assembly with slots (B) in cleaner housing. Make sure that the square post (C) also aligns with the square hole (D). Turn brushes slightly until post fits easily into hole.

Press brush assembly firmly to snap into place (Fig. 7/7).

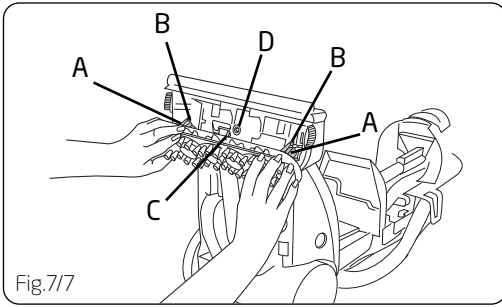


Fig.7/7

8. Storage

Before Storing:

Empty clean water tank and let air dry. Replace on cleaner.


Unused solution can be stored in the solution container.

Empty recovery tank, rinse tank and lid thoroughly with clean water and let air dry.

Allow brushes and underside of cleaner to air dry thoroughly before storing cleaner on a carpeted or wood surface.

Do not store cleaner with a full clean water tank in place.

9. Troubleshooting

 **WARNING:** To reduce the risk of personal injury, unplug the vacuum cleaner before performing maintenance or troubleshooting checks.

PROBLEM: Vacuum cleaner won't run

Cause: Not properly plugged into electrical outlet.

Solution: Plug unit in firmly.

Cause: No electricity in the electrical outlet.

Solution: Check fuse or breaker.

Cause: Cleaner requires service.

Solution: Take your cleaner to a service centre. Call 0870 606 1248 to find your nearest Vax approved service agent.

PROBLEM: Cleaner won't pick up/loss of suction.

Cause: Recovery tank full - automatic shut-off engaged.

Solution: Empty recovery tank.

Cause: Recovery tank not fitted securely.

Solution: Ensure tank is fitted fully and tank cap is securely latched.

Cause: Blockage in hose.

Solution: Remove hose and tools, remove obstruction.

PROBLEM: Cleaning solution won't dispense

Cause: Solution tank not fitted correctly.

Solution: Ensure tank is fitted securely in place.

Cause: Solution tank empty.

Solution: Refill solution tank.

PROBLEM: Brushes won't rotate.

Cause: Brush filter clogged.

Solution: Clean brush filter.

Cause: Brush Speed Selector set to OFF.

Solution: Set Brush Speed Selector set to ON.

Cause: Unit standing in upright position.

Solution: Recline unit.

PROBLEM: Clean water won't dispense.

Cause: Clean water tank not firmly in place.

Solution: Make sure tank is securely locked in position.

Cause: Clean water tank or solution container empty.

Solution: Refill container according to instructions.

Cause: Recovery tank lid not on correctly.

Solution: Make sure lid is firmly in place.

PROBLEM: Solution won't dispense.

Cause: Valve cap clogged.

Solution: Remove and clean valve cap.

Cause: Solution switch is turned off.

Solution: Turn the solution switch on.

10. UK Service & Help

Vax Care 0870 6061248

Monday-Friday 8.00am to 6.00pm.
Saturday-Sunday 9.00am to 5.00pm.

An answerphone will be available out of these hours. Any queries or concerns about using your Vax, call the Vax Careline. Calls are charged at the UK national rate.

Please make a note of the model number and serial number of your Vax before calling. There are over 400 approved Vax Service Agents in the UK. For the nearest Vax Service Agent, please call the Vax Careline or visit www.vax.co.uk

11. Technical Specification

Voltage:	220-240V ~50Hz
Wattage:	W
Capacity:	Clean water tank - 3.7 litres Dirty water tank - 2 litres
Filters:	Dirty water tank filter
Cord length:	m
Weight:	kg

Subject to technical change without notice.





EEC STATEMENT OF COMPLIANCE

Manufacturer/EEC importer: Vax Limited, hereby on our own responsibility, declare that the product V-1 25 All Terrain is manufactured in compliance with the following Directives:

Safety: 2006/95/EC Low Voltage Directive

EMC: 2004/108/EC Electromagnetic Compatibility Directive



Waste electrical products should not be disposed of with household waste. Please recycle where facilities exist. Check with your Local Authority or retailer for recycling advice.