

STEAMWORKS

Steam Mop Instruction Manual

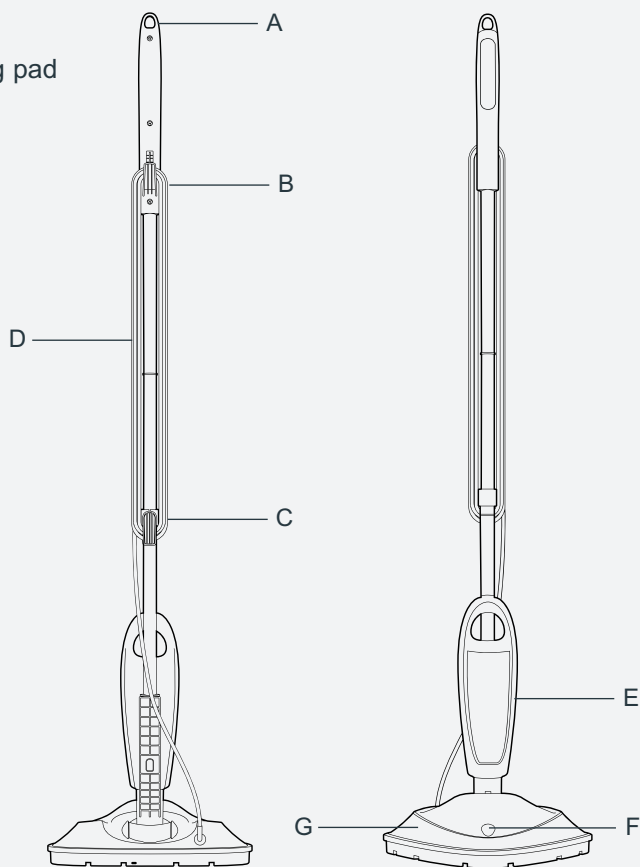


SW1

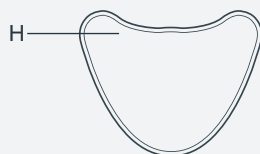
Know Your Steam Mop

- A Handle
- B Upper cord clip
- C Lower cord clip
- D Power cord
- E Clean water tank
- F LED indicator
- G Floor head
- H Velcro microfibre cleaning pad

Unit



Accessories



Safety Recommendations

FOR HOUSEHOLD USE ONLY.

When using the steam mop, basic safety precautions should always be observed, including the following:

IMPORTANT: Please refer to floor manufacturer's care recommendations before use and test the steam mop on a discrete area of flooring to begin with.

WARNING: The steam mop head gets very hot during operation.

WARNING: Danger of scalding. Avoid contact with the steam.

1. Do not leave the appliance unattended while it is switched on. Unplug the appliance from the mains supply socket before carrying out any maintenance or trouble shooting checks and before you fill/empty the water tank.
2. The appliance must be kept out of children's reach and should not be used by children.
3. In order to ensure safety, the appliance should only be assembled, connected and operated as set out in the instructions. Only use accessories, which are recommended by manufacturer.
4. This appliance is not intended for use by persons (including children) with reduced physical, sensory or mental capabilities, or lack of experience and knowledge, unless they have been given supervision or instruction concerning the use of the appliance by a person responsible for their safety.
5. Examine the appliance before use in order to detect signs of damage. Do not operate if the appliance, its power cord or plug, show any signs of damage. In order to comply with safety regulations and to avoid hazards, qualified personnel must carry out repairs of electrical appliances.
6. Do not use the steam mop if it has been dropped, damaged, left outdoors or dropped into water.
7. Check the appliance and the mains wire before each use.
8. Do not unplug by pulling on the cord.
9. Do not handle the plug or steam mop with wet hands.
10. After use unplug the appliance from the mains supply socket.
11. When the appliance is in operation, the floor head should not be directed toward humans, animals or plants.
12. Never immerse the appliance in water or other liquid.
13. Only use water in this appliance. De-scaling products, perfume, detergent etc. should not be used with this appliance, in order to avoid damage.
14. Turn off all controls before unplugging.
15. Do not attempt to remove blockages with sharp objects as they may cause damage.
16. Store indoors and put away after use to prevent tripping accidents.
17. Using improper voltage may result in damage to the motor and possible injury to the user. The correct voltage is listed on the rating label.
18. A hazard may occur if the steam mop runs over the power supply cord.

NOTE: If the supply cord is damaged it must be replaced by the manufacturer, or a similarly qualified person in order to avoid a hazard, or invalidating the guarantee.

NOTE: Before performing cleaning or maintenance tasks and after each use unplug the appliance from the mains supply socket and let it cool down sufficiently.

NOTE: The liquid or steam must not be directed towards equipment containing electrical components, such as the interior of ovens.

IMPORTANT: The clean water tank must not be removed whilst the steam mop is turned on.

WARNING: The appliance heats up during operation, therefore only touch handle or buttons. Always let the appliance cool down before attaching or removing accessories

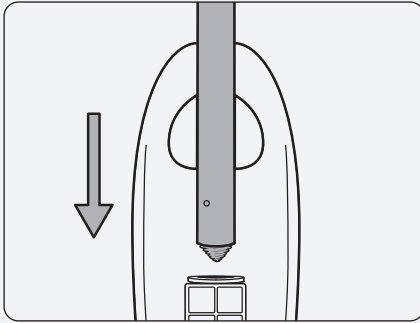
WARNING: Never try to modify or change the mains plug of the appliance. Make sure that the supply voltage corresponds to the voltage marked on the rating label of the appliance.

This steam mop is intended for household use only and NOT for commercial or industrial use.

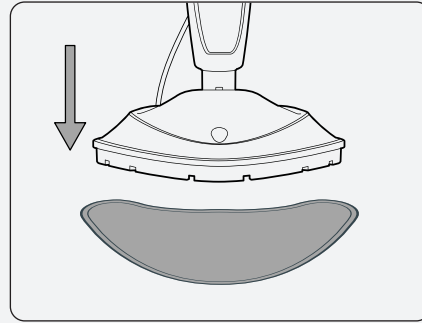
PLEASE KEEP INSTRUCTIONS FOR FURTHER USE.

How To Use

Assembling your steam mop



Push handle into main body screwing into place



Attach microfibre pad to floor head.

Before you begin cleaning

- 1) Remove the clean water tank.
- 2) Twist the cap anti-clockwise to remove.
- 3) Fill the tank with 400ml of water and replace the water cap, Tighten by twisting clockwise.

IMPORTANT: Do not over-fill the water tank.

Attaching the Velcro microfibre cleaning pad

- 1) Place Velcro microfibre cleaning pad face down on the floor.
- 2) Lift the steam mop and position above the pad. Firmly press down to attach.

WARNING: To reduce the risk of personal injury, unplug the steam mop when assembling the unit and accessories.

IMPORTANT: Never use the steam mop without the Velcro microfibre cleaning pad correctly attached to the floor head.

How To Use

Steam cleaning hard floors

- 1) Plug into mains and wait for the green light (on the floor head) to switch on after 1 min.
- 2) To recline the unit place foot on floor head and tilt handle.
- 3) Steam will automatically be released when unit is reclined. To stop steam, return the unit to the upright position.
- 4) Move the steam mop slowly backwards and forwards across the floor paying particular attention to high traffic areas.

Empty the water tank

- 1) Remove the clean water tank.
- 2) Twist the cap anti-clockwise to remove.
- 3) Empty any excess water over the sink, replace water cap and return to the unit.

Remove the Velcro microfibre cleaning pad from the unit

- 1) Place your foot on the excess pad material and lift steam mop to fully detach.

Cleaning the Velcro microfibre cleaning pad

- 1) Machine washable at max temperature 40°C. Always use a mild detergent.
- 2) Leave the pad to dry for 24 hours.

IMPORTANT: Never use bleach or fabric softener when washing the Velcro microfibre cleaning pad.

IMPORTANT: Allow the unit to fully cool down before performing any maintenance or troubleshooting checks.

WARNING: Never leave the steam mop in one spot on any surface for an extended period of time with a damp or wet Velcro microfibre cleaning pad attached as this may damage the floor surface.

WARNING: Your steam mop should only be used on tiles, lino or sealed wood flooring. Do not use on laminate flooring.

FAQ

WARNING: to reduce the risk of personal injury, unplug the steam mop before performing maintenance/troubleshooting checks.

Is there an accessory missing?

- Check the “Know Your Steam Mop” page in the guide to make sure the part is definitely included in your unit

Why won't the steam mop run?

- Unit may not be plugged into the electrical outlet correctly, ensure the plug is pushed in securely
- The electrical outlet may not be working properly, check the fuse or breaker, or consult an electrician
- The power cord may be damaged, if it is it must be replaced by the manufacturer or similarly qualified person

Why is the steam mop not producing steam?

- There may be no water in the tank; please refer to the “How To Use” section.
- The water tank may not be fitted correctly; please refer to the “How To Use” section.

Why won't the Velcro microfibre cleaning pad pick up dirt?

- The cleaning pad may already be saturated with dirt and needs washing, please refer to the “How To Use” section.

Technical Specification

Voltage:	220-240v
Wattage:	900w
Water tank capacity:	400ml
Cord length:	5.0m
Weight:	1.7kg

Subject to technical change without notice.

CE EEC Statement of Compliance

Manufacturer/EEC importer: Hereby on our own responsibility, declare that the SC279 series is manufactured in compliance with the following Directives:

Safety: 2006/95/EC Low Voltage Directive

EMC: 2004/108/EC Electromagnetic Compatibility Directive



Waste electrical products should not be disposed of with household waste. Please recycle where facilities exist. Check with your Local Authority or retailer for recycling advice.

Guarantee

Product Guarantee

This product is guaranteed against manufacturing defects for a period of



This product is guaranteed for twelve months from the date of original purchase. Any defect that arises due to faulty materials or workmanship will either be replaced, refunded or repaired free of charge where possible during this period by the dealer from whom you purchased the unit.

The guarantee is subject to the following provisions;

- The guarantee does not cover accidental damage, misuse, cabinet parts, knobs or consumable items.
- The product must be correctly installed and operated in accordance with the instructions contained in this manual.
- It must be used solely for domestic purpose.
- The guarantee will be rendered invalid if the product is re-sold or has been damaged by un-qualified repair.
- Specifications are subject to change without notice
- The manufacturer disclaims any liability for the incidental or consequential damages.
- The guarantee is in addition to, and does not diminish your statutory or legal right.

Product Careline: 0845 604 2377

Guarantor: Argos Ltd
489 - 499 Avebury Boulevard
Central Milton Keynes
MK9 2NW

STEAMWORKS

Version 1.0