



Hello!

Let's begin your journey...



Getting started...

Hello from the clean Genie team!

Thanks for choosing us. We're here to make cleaning simple for you.

We're not about fuss, so of all our products are really straightforward and easy to use.

Just follow our quick steps to build it up and go.

...it's easy with Genie

We'd love to stay in touch, so please take a moment to **register your Genie** so we can let you know all about the fun stuff we do. Find us online at www.thegenierange.co.uk for lots more info and tips, or if you get stuck call our Helpline on **08448 11 22 80**.

Now open the page and we'll have your Express Vac up and running in minutes.
Enjoy!



Safety information

When using the vacuum cleaner, basic safety precautions should always be observed, including the following:

1. **The vacuum cleaner is not suitable for hard floors.** Only use the vacuum cleaner indoors on dry surfaces.
2. Turn off the vacuum cleaner controls before disconnecting or connecting from the mains supply.
3. Always unplug the vacuum cleaner before connecting or disconnecting the vacuum hose and accessories.
4. Children should be supervised to ensure that they do not play with the appliance.
5. This appliance is not intended for use by persons (including children) with reduced physical, sensory or mental capabilities, or lack of experience and knowledge, unless they have been given supervision or instruction concerning use of the appliance by a person responsible for their safety.
6. Only use as described in this manual.
7. Do not use the vacuum cleaner if it has been dropped, damaged, left outdoors or dropped into water. Do not use the vacuum cleaner with a damaged cord or plug. If the power cord is damaged, it must be replaced by the manufacturer to avoid hazard and invalidating the guarantee.
8. Do not pull or carry by cord/hose. Do not use the cord/hose as a handle, close a door on the cord/hose or pull cord/hose around sharp edges or corners. Do not run the vacuum cleaner over the cord/hose. Keep the cord away from heated surfaces.
9. Do not handle the plug or vacuum cleaner with wet hands. Do not use outdoors or on wet surfaces.
10. Do not put any objects into openings. Do not use with any openings blocked and do not restrict air-flow. Keep all openings free of dust, lint, hair or anything that might reduce airflow.
11. Keep hair, loose clothing, fingers and all parts of the body away from openings and moving parts.
12. Do not pick up hot coals, cigarette butts, matches or any hot, smoking or burning objects.
13. Do not pick up flammable or combustible materials (lighter fluid, petrol, kerosene etc.) or use in the presence of explosive liquids or vapours.
14. Do not vacuum up harmful or toxic material (chlorine, bleach, ammonia, drain cleaner etc.).

Please only use in your home. Keep instructions for future reference.

15. Do not vacuum up hard or sharp objects such as glass, nails, screws, coins, etc.
16. Do not use without ALL of the filters in place.
17. Take extra care when vacuuming on stairs. Always leave vacuum cleaner at the bottom of the stairs.
18. Keep vacuuming area well lit.
19. Store the vacuum cleaner in a cool, dry area.
20. Turn off the on/off switch before unplugging the vacuum cleaner.
21. Use only CE-approved 13 amp extension cords. Non-approved cords may overheat. Care should be taken to arrange the cord so that the cord cannot be tripped over.



Warning: This vacuum cleaner has a constantly rotating brushbar. When using tools or leaving unit on, ensure the unit is locked into the upright position so the floor head is raised. If floor head is not raised, this could potentially cause damage to carpets.



Warning: Always switch off and unplug the vacuum cleaner from the electrical socket before assembling, opening or emptying the dirt container, or before connecting/disconnecting the attachments.



Important: Cleaning filters maintains vacuum performance. Genie recommends that your filters should be checked and cleaned periodically. If your filters are washable make sure they are completely dry before inserting back into the vacuum cleaner.



Important: The motor is equipped with a thermal cut-out. If for any reason the unit should overheat, the thermostat will automatically turn the unit off. Should this occur, unplug the vacuum cleaner from the electrical socket and turn off the switch. Remove dirt container and empty. Clean filters. Allow the unit to cool for approximately one (1) hour. To re-start, plug into an electrical socket and switch back on.

EEC Statement of Compliance **CE**

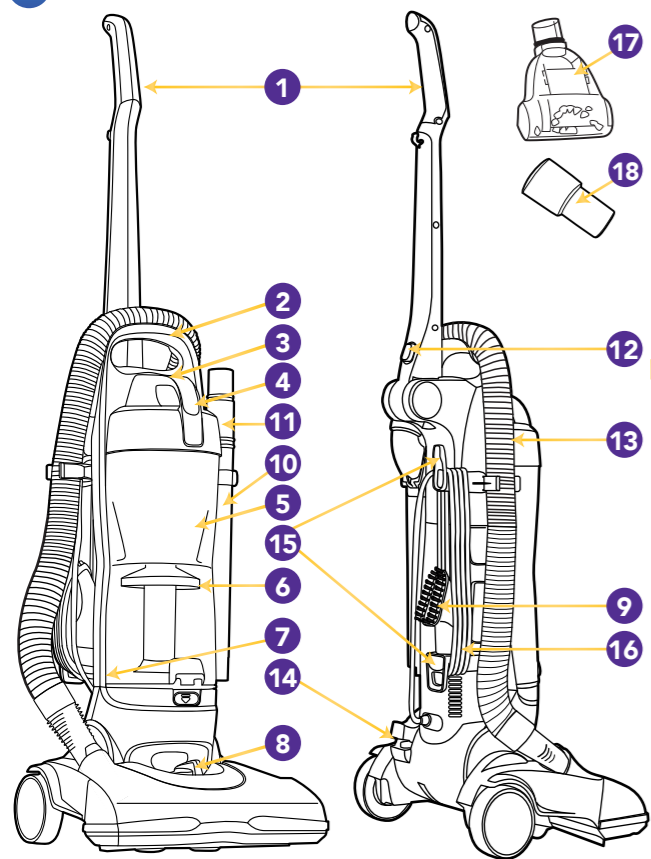
Manufacturer/EEC importer: Genie hereby on our own responsibility, declare that the GUV-02 series is manufactured in compliance with the following Directives: Safety: 2006/95/EC Low Voltage Directive, EMC: 2004/108/EC Electromagnetic Compatibility Directive

Disposal

This product should not be disposed of with the house-hold waste. Please recycle where facilities exist. Check with your Local Authority or retailer for recycling advice.

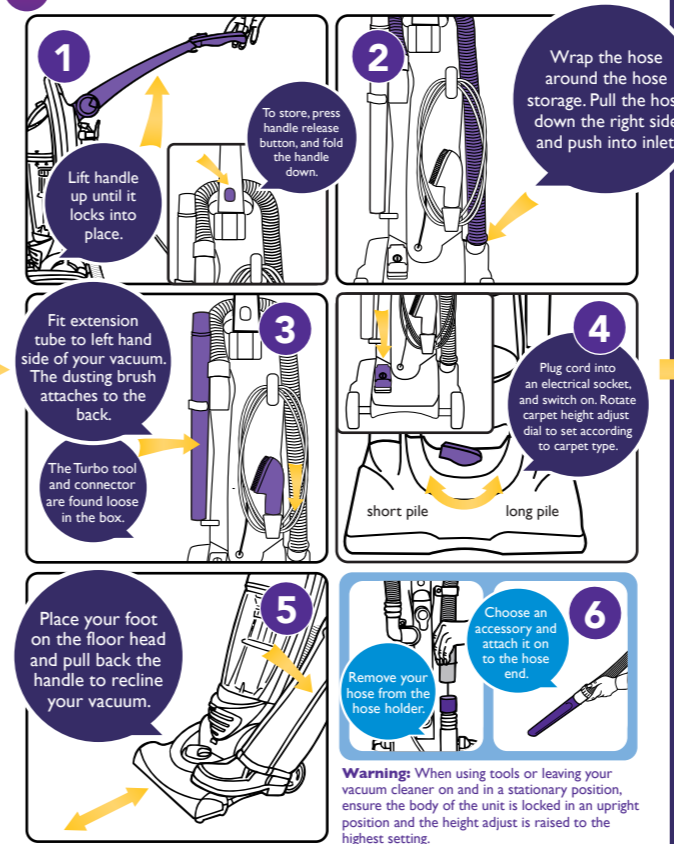


What's in the box?

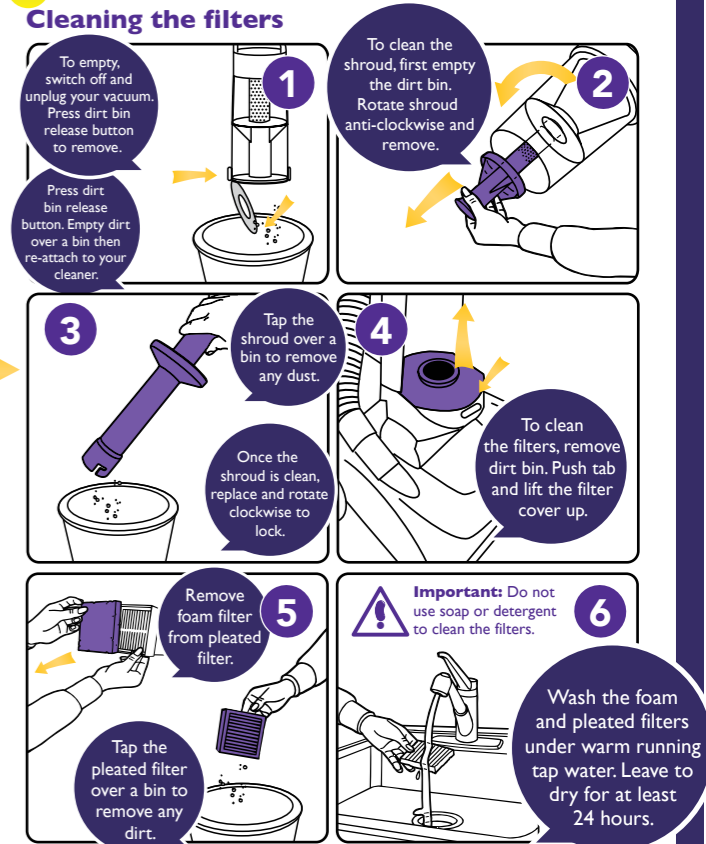


- 1 Folding handle
- 2 Carry handle/hose storage
- 3 Dirt bin release button
- 4 Dirt bin handle
- 5 Central filter
- 6 Dirt bin
- 7 Dirt bin release button (hidden)
- 8 Brushbar height adjust
- 9 Dusting brush
- 10 Extension tube
- 11 Crevice tool
- 12 Folding handle release button
- 13 Hose
- 14 On/off button
- 15 Cord storage
- 16 Cord
- 17 Turbo tool
- 18 Turbo tool connector

It's as easy as...

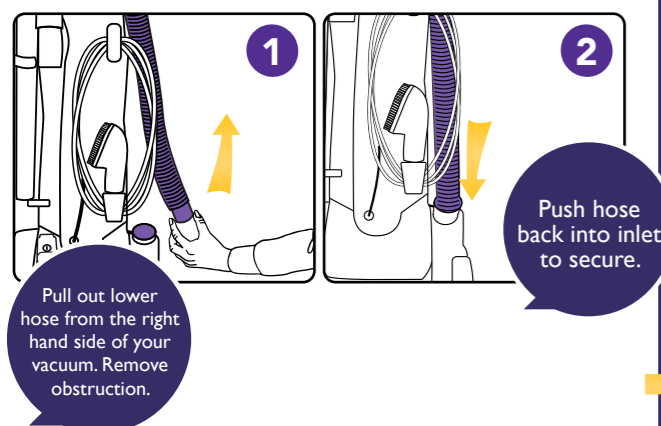


Look after me!

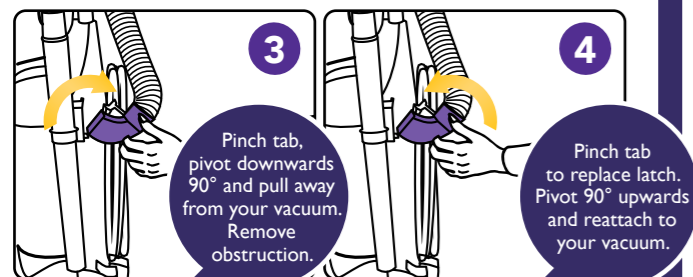


Look after me!

Removing blockages (lower hose clog)

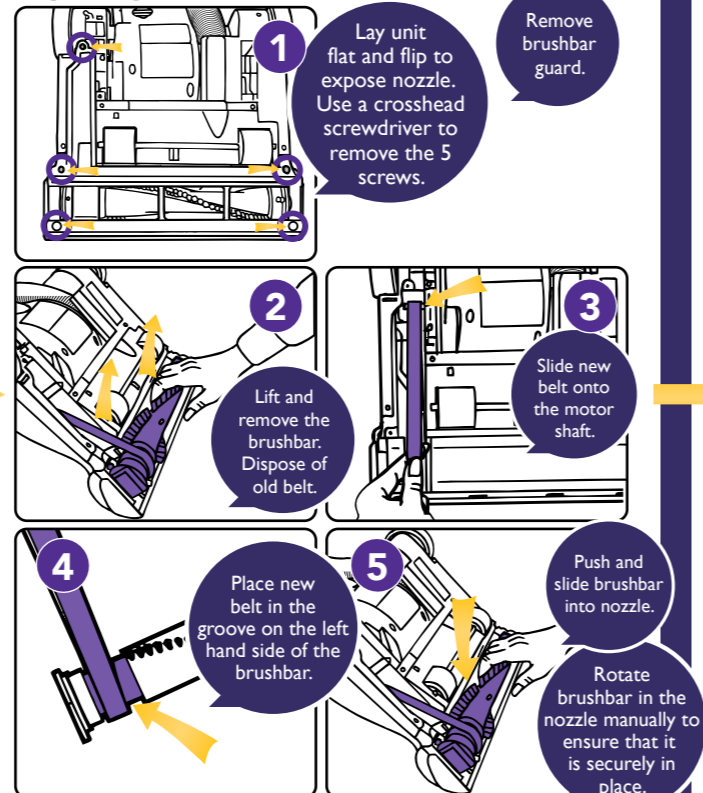


Removing blockages (upper hose clog)



Look after me!

Replacing the belt or brushbar



Troubleshooting!

What's wrong....

My vacuum will not work properly

- The plug is not plugged in correctly
- Either the fuse has blown or a circuit in your home has tripped
- Your vacuum has overheated
- Want to know how to maintain your vacuum

My vacuum will not suck properly

- The dirt bin is not fitted correctly
- The dirt bin is full
- The hose or filter is clogged
- Belt is worn or broken

Dust is escaping from my vacuum

- The dirt bin is full
- The dirt bin is not fitted correctly
- The hose is not fitted correctly
- The filter is not fitted correctly

Express Vac 2 pet GUV-02

How to sort me out!

- Push the plug in firmly
- Check and replace the fuse or reset the circuit
- Unplug your vacuum and allow to cool for one hour
- Please visit thegenierange.co.uk or call 0844 811 22 80 for advice

- Refit the dirt bin
- Empty the dirt bin
- Refit the filter and clean. Remove the hose and unblock
- Please visit thegenierange.co.uk or call 0844 811 22 80

- Empty the dirt bin
- Refit the dirt bin
- Refit the hose
- Refit the filters