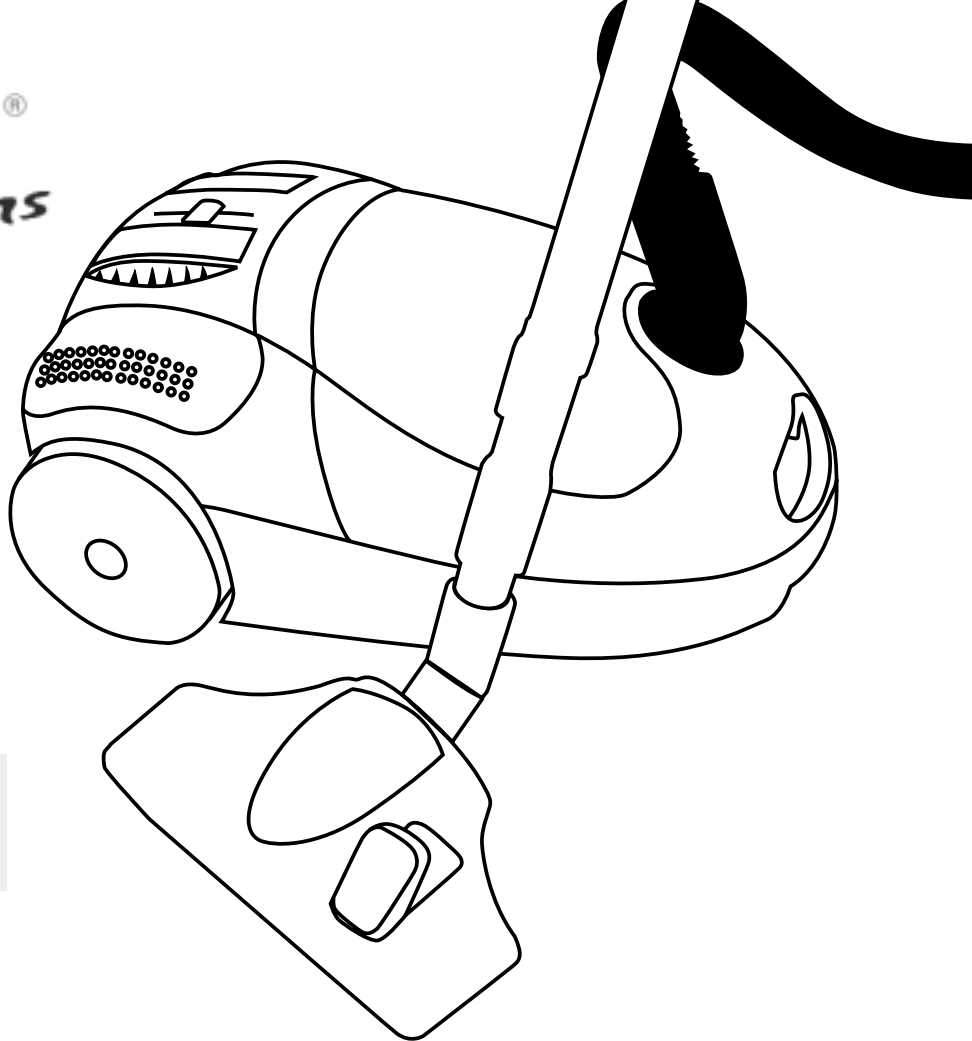


vax[®]
Selections

VS-03



easy guide

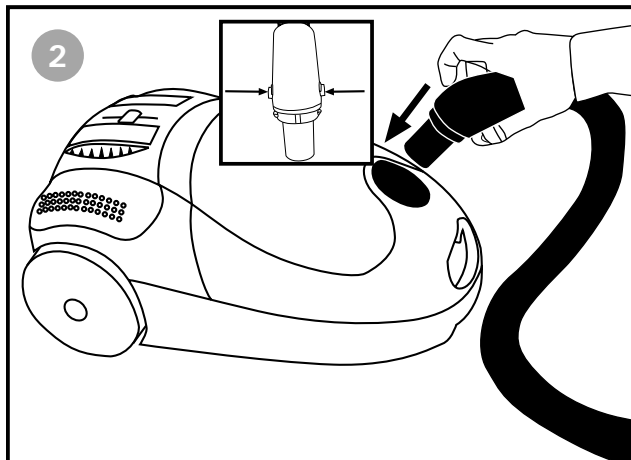
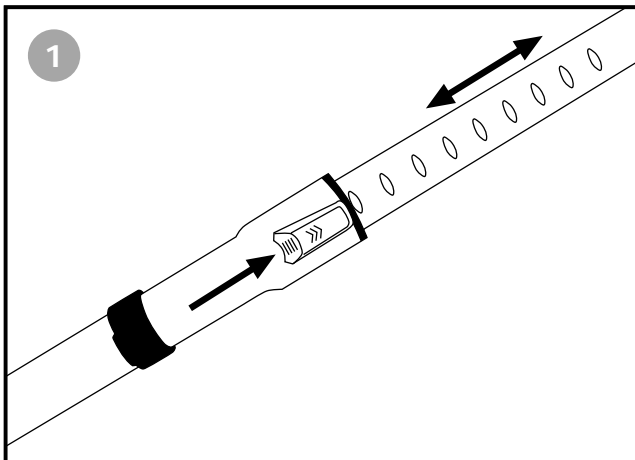
Please read carefully before using your VS-03. Always fully extend mains cable before use.

Important information - Save these instructions

Congratulations on the purchase of your VS-03 cylinder cleaner. In order to get the best performance from this product please read and retain these instructions.

When using electrical appliances, in order to reduce the risk of fire, electric shock, and/or injury to persons, basic safety precautions should be followed, including the following:

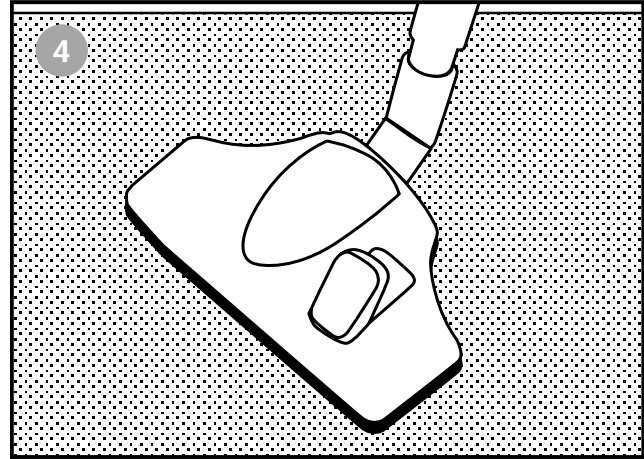
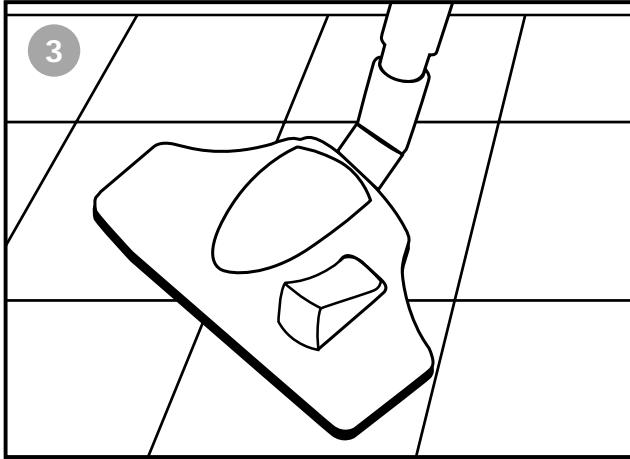
- Read all instructions carefully, even if you are familiar with the appliance.
- To protect against the risk of electric shock DO NOT IMMERGE the appliance, cordset or plug in water or other liquid.
- Close supervision is necessary when any appliance is used by or near children. Never leave an appliance unattended when in use.
- Switch off and remove the plug from the power outlet when not in use and before assembling or disassembling parts.
- Do not operate any appliance with a damaged cord or plug, after the appliance malfunctions, or is dropped/damaged in any manner.
- The use of attachments or accessories sold by other manufacturers is not recommended.
- Do not operate or place any part of this appliance on or near any hot surfaces.
- Do not abuse the cord. Never carry the appliance by the cord or yank it from the power outlet; instead, grasp the plug and pull to disconnect.
- This product is intended for internal household use only.
- Do not attempt to repair the appliance yourself.
- Do not suck up inflammable liquids such as cleaning fluids, gasoline, etc, or their vapours
- Do not vacuum hard, sharp or over-large objects, matches, hot ashes, cigarette butts or similar materials
- Do not use the vacuum cleaner without its dustbag or motor protection and air outlet filters
- Do not use the cleaner if there is any obstruction in its passages, for this may dangerously overheat the motor.
- Do replace/empty the dust bag and filters after picking up fine dust such as cement, very fine sand, flour etc.
- To clean, wipe exterior with a damp cloth.



How to use your VS-03

Assembling the appliance

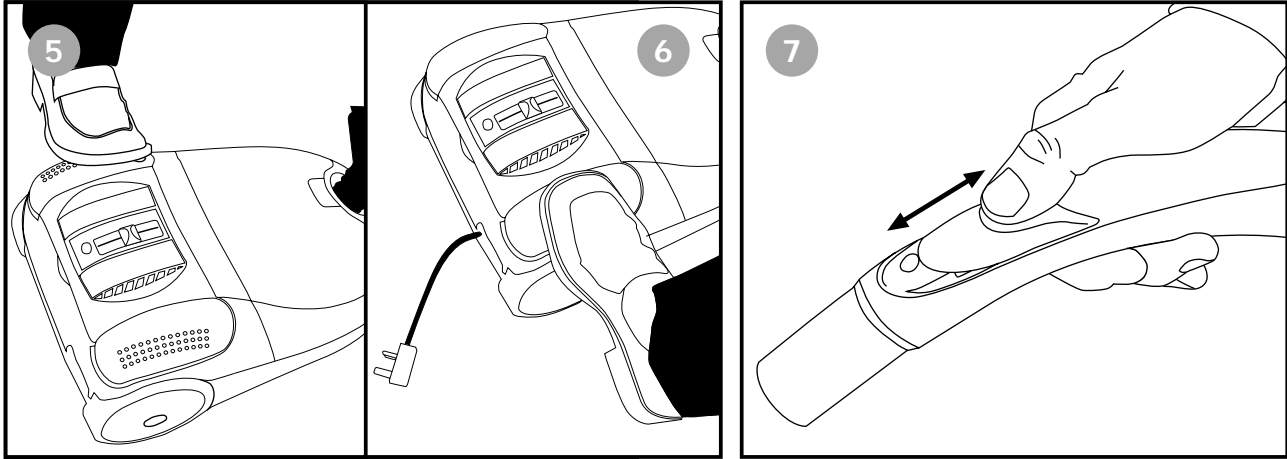
- fig. 1 The telescopic extension tubes can be lengthened by pressing the button & pulling the tubes apart.
- fig. 2 To attach the flexible hose to the vacuum cleaner, push the connecting end of the flexible hose into the attachment point on the vacuum cleaner.



How to use your VS-03

Adjusting the cleaning tool for carpets & hard floors

- fig. 3 Hard floor position (tiles, parquet floors, etc.) – The cleaning tool's brush must be in the lower position. Press on the rocker switch to lower it.
- fig. 4 Carpet or rug position – The cleaning tool's brush should be raised. Press the rocker switch to lift the brush up.



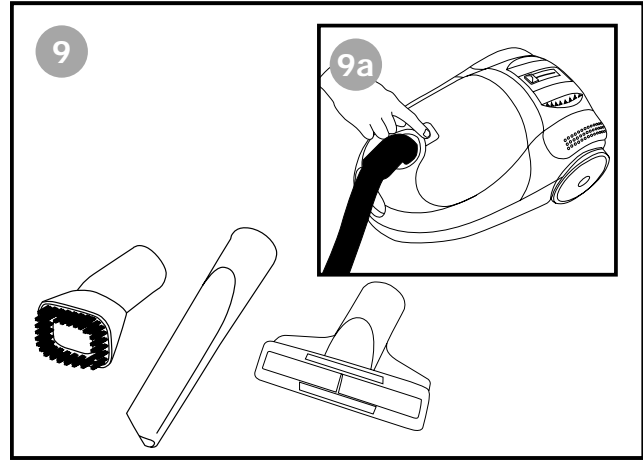
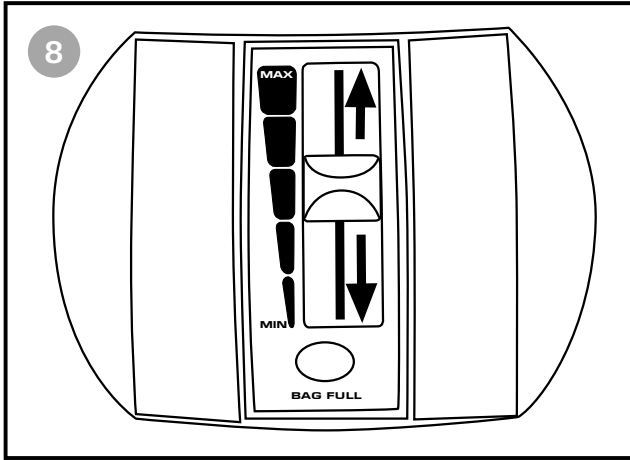
How to use your VS-03

Fully extend the mains cable and plug it into a standard domestic outlet.

fig. 5 Press the foot pedal to start the vacuum cleaner. To stop it press the pedal again.

fig. 6 Press the foot pedal to recoil the power lead.

fig. 7 The hose grip has a bleed valve which allows control of suction power.

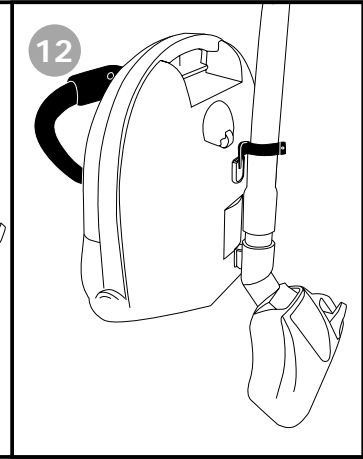
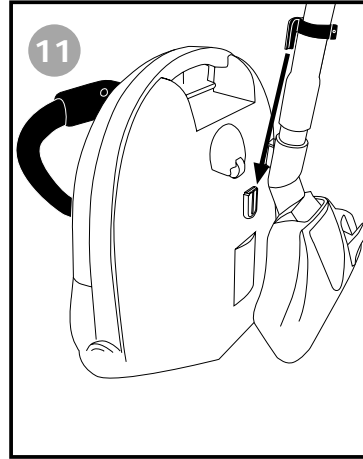
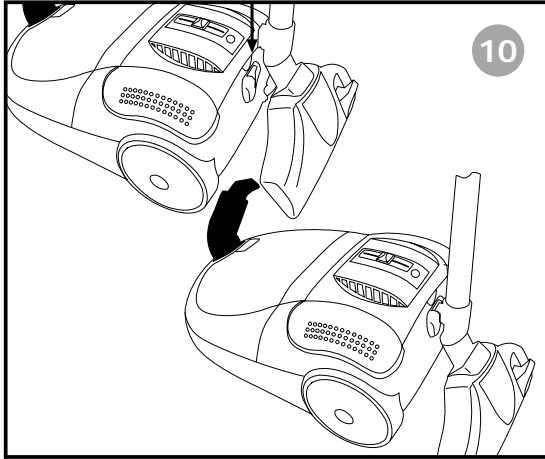


How to use your VS-03

fig. 8 Vacuum power can be adjusted electronically by moving the variable power control.

Using the accessories

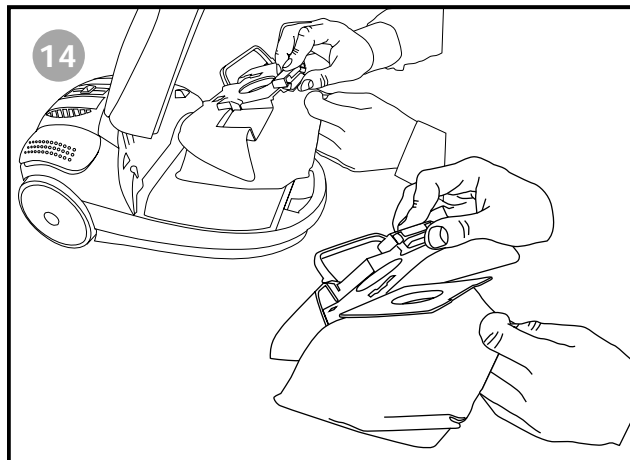
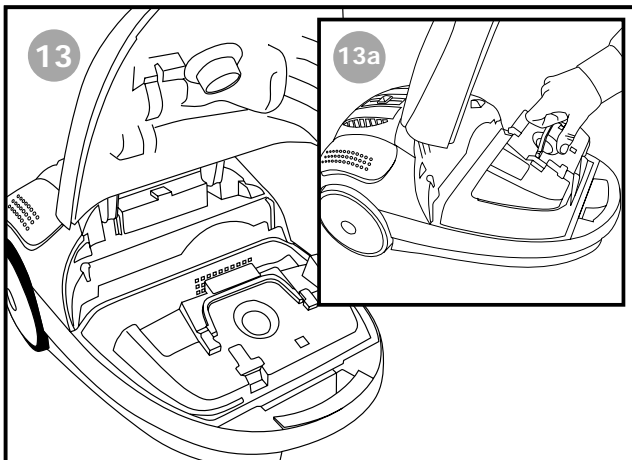
fig. 9 Open the accessory storage compartment (**fig. 9a**). These accessories can be fitted onto the tubes or directly onto the end of the flexible hose handle. The small cleaning tool is used for upholstered furniture. The crevice nozzle is ideal for cleaning into awkward places such as behind radiators, skirting boards and hard to reach areas. The brush attachment is designed for dusting.



How to use your VS-03

fig. 10 If you wish to pause briefly during vacuuming i.e. to move a piece of furniture or a rug, use the special parking position on your vacuum cleaner. Slide the hook attached to the large cleaning tool into the slot on the rear of the appliance. When you have finished vacuuming, press pedal to stop the appliance then unplug it at the mains and press your foot on the pedal to automatically rewind the cord.

fig.11&12 You can move or store your appliance in a vertical position by sliding the hook on extension tube into the clip on the underside of the appliance. This practical system allows you to carry the vacuum cleaner around in one hand and to store it in the minimum of space.

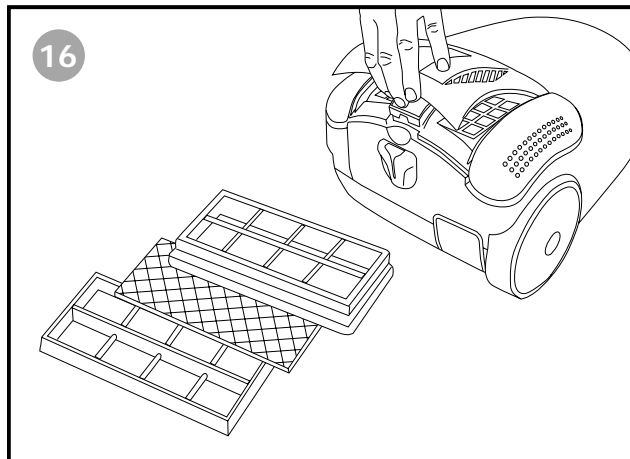
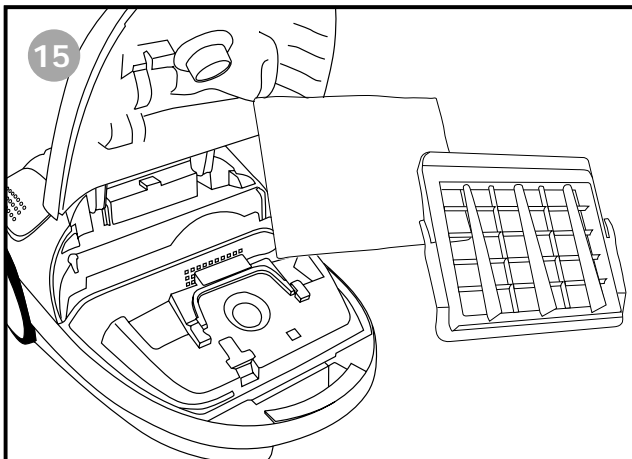


How to care for your VS-03

Your appliance is equipped with a dust bag. If you notice that the vacuum cleaner seems to be less efficient than usual, check the dust indicator by selecting the maximum power and lifting the cleaner tool off the floor. If it turns red, change the bag.

To change the dustbag

Turn off the appliance and unplug it. Lift up the catch to gain access to the dustbag compartment and raise the cover (**fig. 13**). Pull the handle up to remove the bag holder (**fig. 13a**). The bag can then unclipped and disposed of hygienically (**fig. 14**). Do not forget to regularly change the dust bag and filter. The efficiency of your cleaner and the life of the motor depends on it.



To change the filters

Motor protection filter

fig. 15 The filter is located in the dust bag compartment and protects the motor from dust. To reach this filter, lift up the grill which secures it and replace it with a new one. We recommend changing the filter after 5 bag changes or when it appears soiled.

Attention: Do not use the vacuum cleaner without the motor protection filter.

Air outlet filters

fig. 16 To remove the filters first remove the filter cover. Remove both filter cartridges. On each individual cartridge remove holding bracket. Replace used filter medium with new - the gauze side first. Reassemble and replace filter cover.

We recommend replacing the air outlet filters after one month's use. Thereafter, replace every 4-6 months, after 5 bag changes, when appearance is soiled or if a loss of suction is experienced (whichever is sooner).

Dust bag indicator

When the indicator light comes on or when the suction power reduces substantially, this indicates that you should change/empty the dust bag.

Attention: If after inserting a new dust bag, the indicator light stays on, this could be for several reasons:

- Suction passages may be blocked – check flexible hose and extension tubes, suction inlet, floor brushes and nozzles for obstruction.
- Check motor protection filter
- Check to see if air outlet filter is dirty

Check carefully which of these causes is making the light go on and correct it so that the vacuum cleaner can work normally.

Do not work with the vacuum cleaner with this indicator light on, for this could cause irreparable damage to the motor.

Replacement parts

Replacement parts

VS-03 – 5 bags Part Number 1-9-124757-00

VS-03 Filter Pack Part Number 1-9-124813-00



UK SERVICE & HELP – VAX CARE 0870 6061248

Mon – Fri. 9:00am to 5:00pm. An answerphone is available out of these hours.

If you have queries or concerns about using your VAX, call the HELPLINE.

Calls are charged at the UK national rate.

Please make a note of the serial number and model number of your VAX before calling.

VAX Limited, Kingswood Road, Hampton Lovett, Droitwich, Worcestershire WR9 0QH, UK

Email: enquiry@vax.co.uk - Website: www.vax.co.uk

Version 1