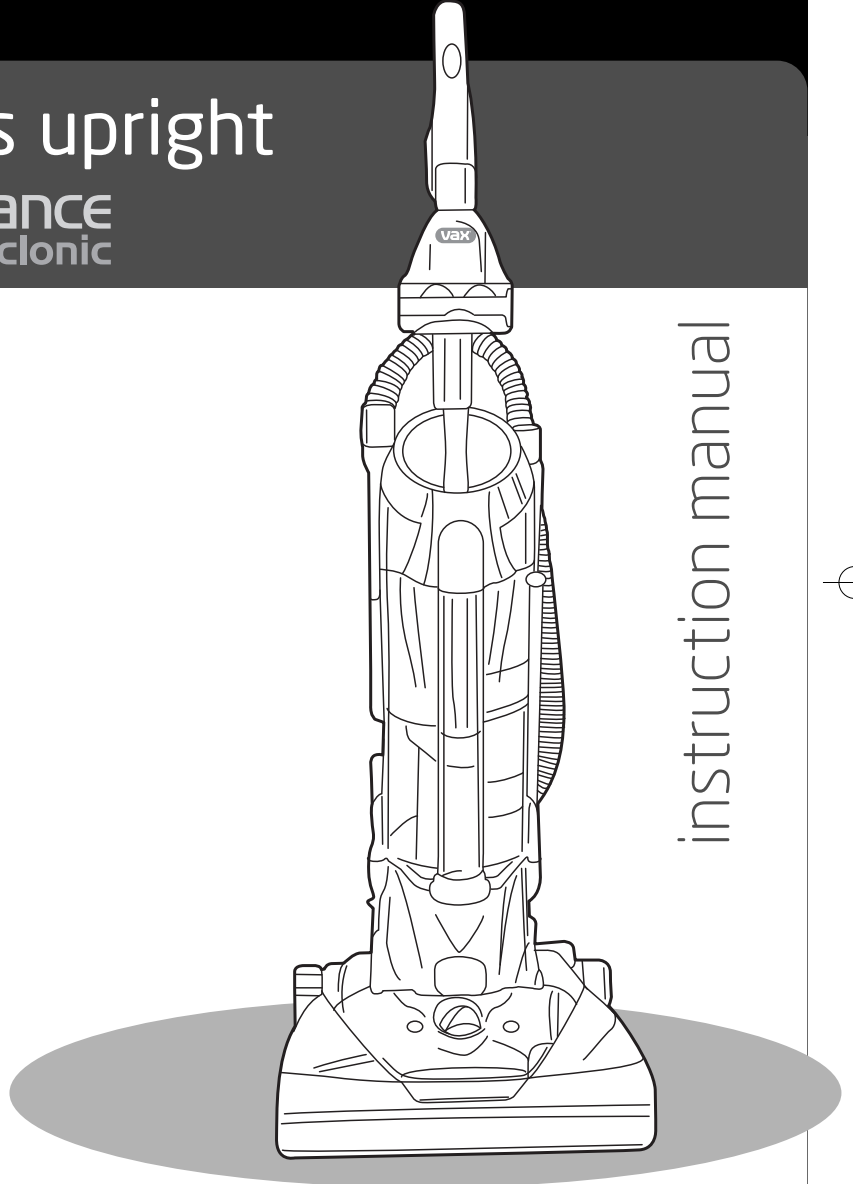




Vax careline  
0870 6061248

# Bagless upright performance cyclonic

Vax model number:  
V-008SC

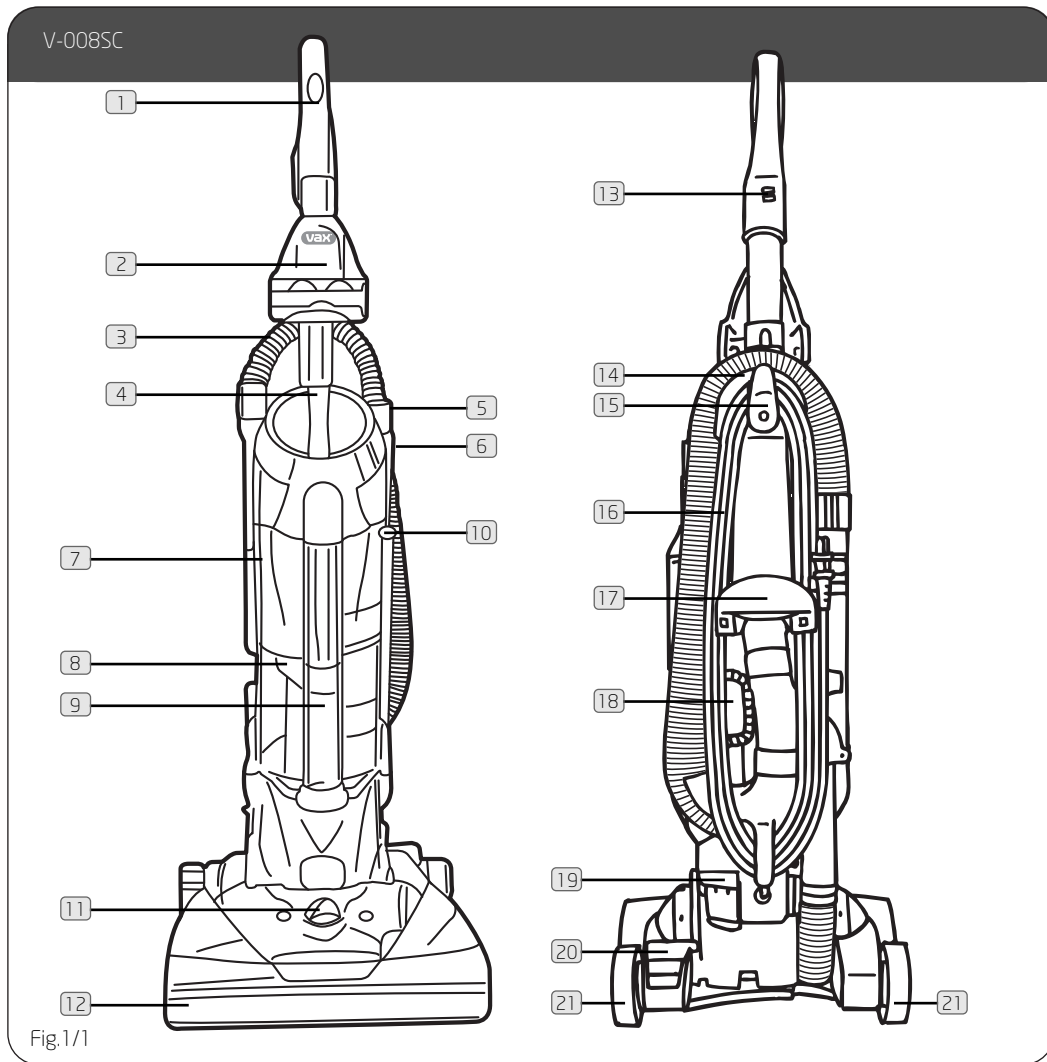


instruction manual

[www.vax.co.uk](http://www.vax.co.uk)

Please read carefully before using this cleaner.  
Always fully extend the mains cable before use.  
Retain for future reference.

# 1. Diagram



- |  |                                 |                         |
|--|---------------------------------|-------------------------|
| 1 Handle grip                          | 9 Centre dirt path              | 17 Carry handle         |
| 2 TurboTool                            | 10 Clean release empty button   | 18 Dust brush           |
| 3 Hose                                 | 11 Carpet height adjuster       | 19 Handle release pedal |
| 4 Dirt container release button        | 12 Scuff guard bumper           | 20 On/Off pedal         |
| 5 Crevice tool - inside extension tube | 13 Cord grip                    | 21 Wheels               |
| 6 Extension tube                       | 14 Hose guide                   |                         |
| 7 Dirt container                       | 15 Cord wrap with quick release |                         |
| 8 Air Director                         | 16 Long power cord              |                         |

## 2 parts overview

## 2. Safety Information

### FOR HOUSEHOLD USE ONLY.

When using the vacuum cleaner, basic safety precautions should always be observed, including the following:

1. Only use the vacuum cleaner indoors on dry surfaces.
2. Turn off the vacuum cleaner controls before connecting to or disconnecting from the mains supply.
3. Always unplug the vacuum cleaner before connecting or disconnecting the vacuum hose.
4. Close attention is necessary when used by or near children.
5. This appliance is not intended for use by persons (including children) with reduced physical, sensory or mental capabilities, or lack of experience or knowledge, unless they have been given supervision or instruction concerning use of the appliance by a person responsible for their safety. Children should be supervised to make sure they do not play with the machine.
6. Use only as described in this manual. Use only the manufacturer's recommended attachments.
7. Do not use the vacuum cleaner with a damaged cord or plug. Do not use the vacuum cleaner if it has been dropped, damaged, left outdoors or dropped into water. Return the vacuum cleaner to a Vax Authorised Service Agent or suitably qualified person for examination, repair or adjustment.  
Call 0870 6061248 for your nearest service centre.
8. Do not pull or carry by the cord. Do not use the cord as a handle, close a door on the cord or pull the cord around sharp edges or corners. Do not run the vacuum cleaner over the cord. Keep the cord away from heated surfaces.
9. Do not handle the plug or vacuum cleaner with wet hands. Do not use outdoors or on wet surfaces.
10. Do not put any objects into openings. Do not use with any openings blocked and do not restrict air flow. Keep all openings free of dust, lint, hair or anything that may reduce airflow.
11. Keep hair, loose clothing, fingers and all parts of the body away from openings and moving parts.
12. Do not pick up hot coals, cigarette butts, matches or any hot, smoking or burning objects.
13. Do not pick up flammable or combustible materials (lighter fluid, petrol, kerosene, etc) or use in the presence of explosive liquids or vapours.
14. Do not vacuum up harmful or toxic material (chlorine bleach, ammonia, drain cleaner, etc).

15. Do not vacuum up hard or sharp objects such as glass, nails, screws, coins, etc.
16. Do not use without the filters in place.
17. Use extra care when vacuuming on stairs.
18. Keep vacuuming area well lit.
19. Store the vacuum cleaner indoors in a cool, dry area.
20. Turn off the switch before unplugging.
21. Use only CE-approved 13 amp extension cords. Non-approved extension cords may overheat. Care should be taken to arrange the cord so that the cord cannot be pulled or tripped over.

**!** **WARNING:** Always switch off and unplug the vacuum cleaner from the electrical outlet before assembling, opening or emptying the dirt container, or before connecting/disconnecting the attachments.

**!** **CAUTION:** The vacuum cleaner is a very powerful unit. Before plugging the cord into the outlet make sure the switch is in the 'off' position. Hold the vacuum cleaner firmly when starting and in use.

**!** **IMPORTANT:** If the inlet or hose is blocked, switch off the vacuum cleaner and remove the blockage(s) before re-starting the vacuum cleaner.

**!** **IMPORTANT:** Cleaning filters improves vacuum performance. Make sure all filters are replaced back into the vacuum cleaner before using.

This vacuum cleaner is intended for household use only and not for commercial or industrial use.

### PLEASE KEEP THESE INSTRUCTIONS FOR FURTHER USE.

#### Motor Thermostat

**IMPORTANT:** The motor is equipped with a thermal cut-out. If for any reason, the vacuum cleaner should over-heat, the thermostat will automatically turn the unit off. Should this occur, unplug the vacuum cleaner from the electrical outlet and turn off the switch. Remove the dirt container and empty. Clean the filters. Allow the cleaner to cool for approximately one (1) hour. To re-start, plug into an electrical outlet and switch back on.

### 3. How to Assemble

**Handle Assembly:** Tool required: Phillips screwdriver

Detach dirt container from back panel of cleaner by pressing dirt container release button and tilting forward.

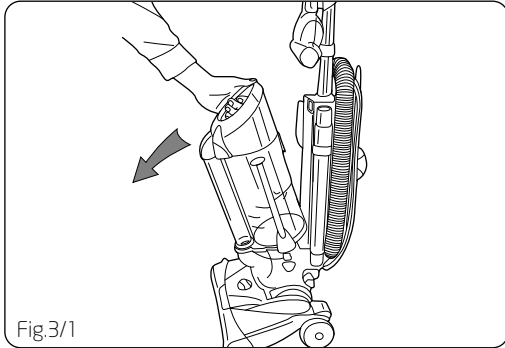


Fig.3/1

Slide handle through top of back panel. Insert carry handle through holes in back panel (see Fig.3/2).

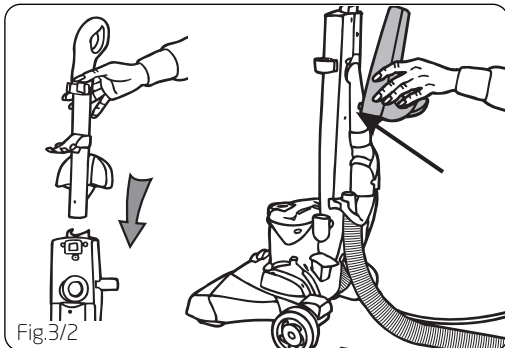


Fig.3/2

Insert one (1) screw through front of cleaner to secure handle. Secure carry handle with two (2) 1" screws through front of cleaner (see Fig.3/3).

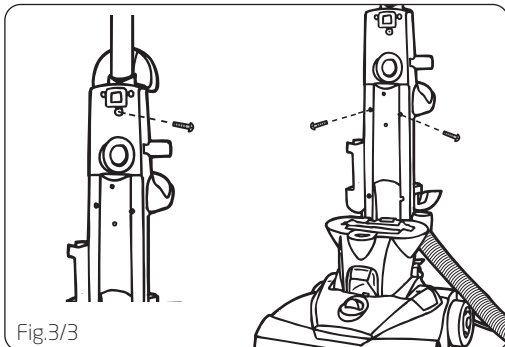


Fig.3/3

Re-attach dirt container by aligning bottom of dirt container to bottom of cleaner and push forward to snap into place.

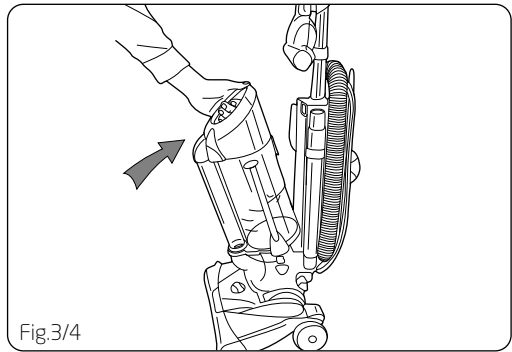


Fig.3/4

**Secure Back Hose:**

Wrap hose around back of hose caddy. Push hose wand down into the right side of cleaner (Fig.3/5).

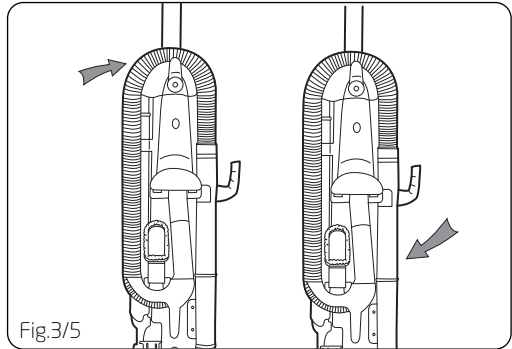


Fig.3/5

**Tool Storage:**

Attach tools: (a) Slide the dust brush onto post on the lower tool caddy with the bristles facing out. (b) Clip Turbo Tool into the caddy on the front of the handle. (c) Slide the extension tube / crevice tool into the round slot on the left side of the cleaner (Fig.3/6).

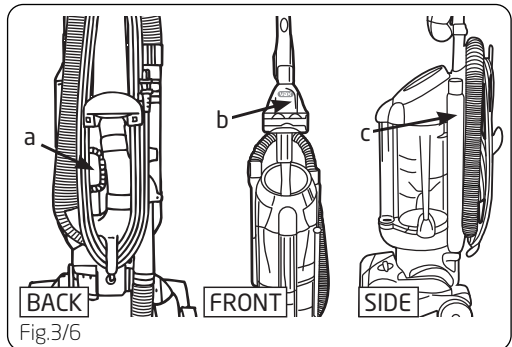


Fig.3/6

## 4. How to Operate

### Cord Release:

Turn Quick Cord Release for easy cord removal. Store cord in cord grip (see page 2 - parts overview) to keep out of the way while vacuuming (Fig.4/1).

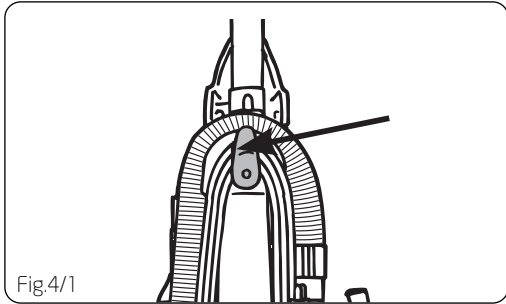


Fig.4/1

Turn the carpet height adjuster to match the surface being cleaned (Fig.4/2).

**IMPORTANT:** For easiest adjustment, place cleaner in full upright position.

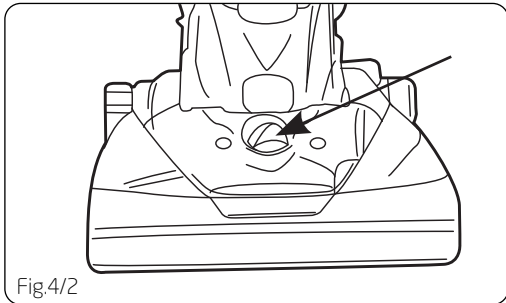


Fig.4/2

**CAUTION:** Brush agitator continues to rotate while the hose is removed or in use and at all times while cleaner is on. Keep hair, loose clothing, fingers and all parts of the body away from brush area while cleaner is on. Cleaner must be in the upright position to lift rotation brush off the carpet when cleaning above the floor.

### On/Off Pedal:

Plug cord into electrical outlet. Turn cleaner on by depressing foot pedal located on the back left side of the cleaner (Fig.4/3).

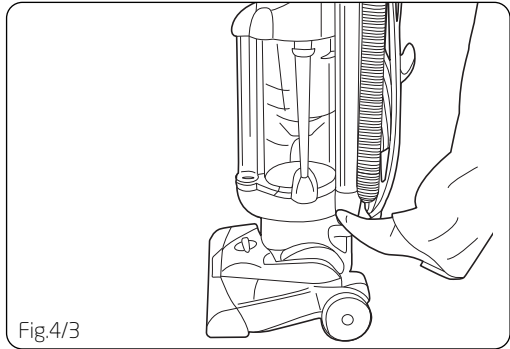


Fig.4/3

### Handle Release Pedal:

To release handle, push the handle release pedal located on the lower left side of the cleaner (Fig.4/4).

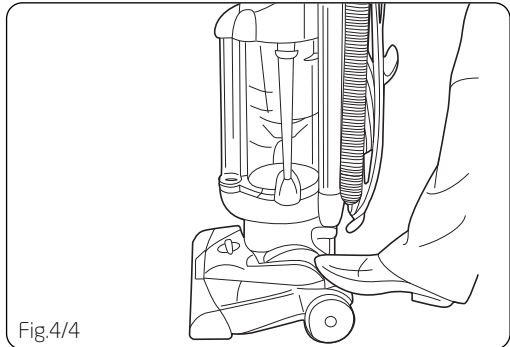


Fig.4/4

### Floor/Carpet Cleaning:

Move the handle and adjust it to the desired position for (a) storing the upright, (b) operating the cleaner, and (c) depress the handle release pedal again to clean under furniture (see Fig.4/5).

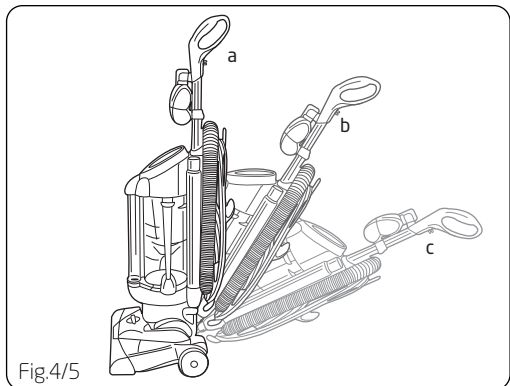


Fig.4/5

www.vax.co.uk

**!** **NOTE:** Rotating brush could cause area rug fringe to become tangled within cleaner. Use caution when vacuuming throw rugs with fringe.

#### Above Floor Cleaning:

Cleaner must be in its upright position to raise brushbar.

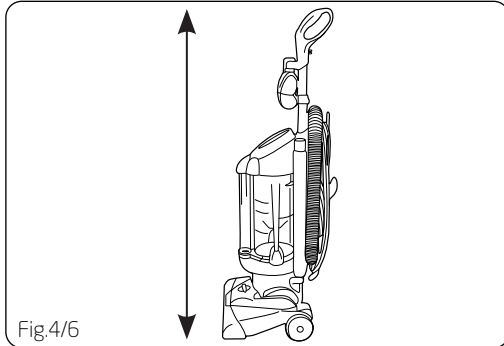


Fig.4/6

Remove the hose from the tool caddy (Fig.4/7).

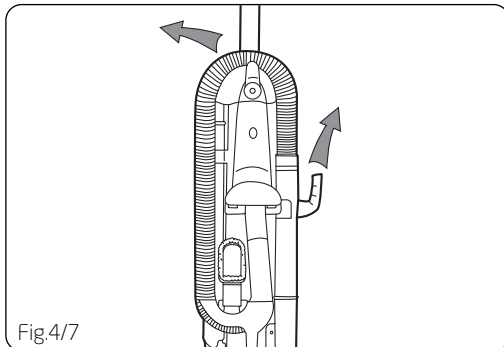


Fig.4/7

Choose any of the handy accessories or use the hose alone. Simply push the attachment firmly into the end of the extension tube or hose handle. To remove tool, twist and pull apart gently.

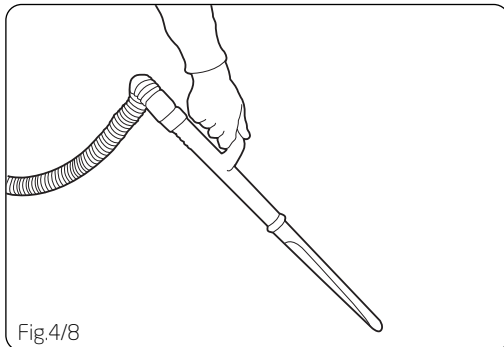


Fig.4/8

#### Extension Tube:

If additional length is needed, use the extension tube and crevice tool. Pull crevice tool out of extension tube. Use extension tube and crevice tool together or separately.

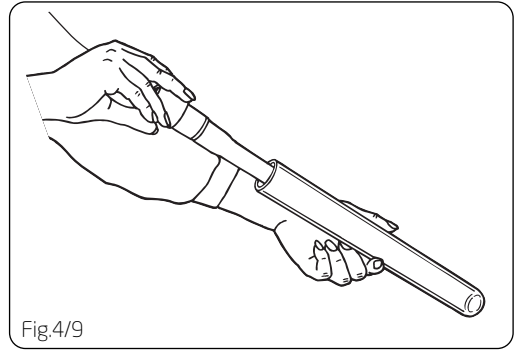


Fig.4/9

#### Carry Handle:

Use the carry handle on the back of the cleaner to move it from room to room (Fig.4/10).

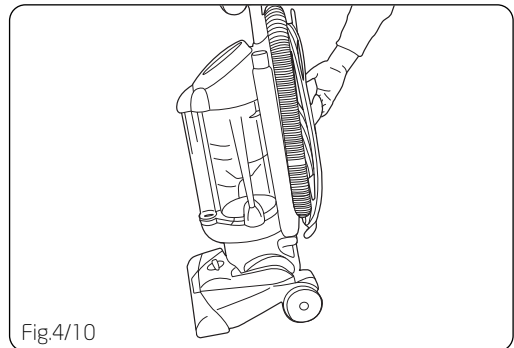


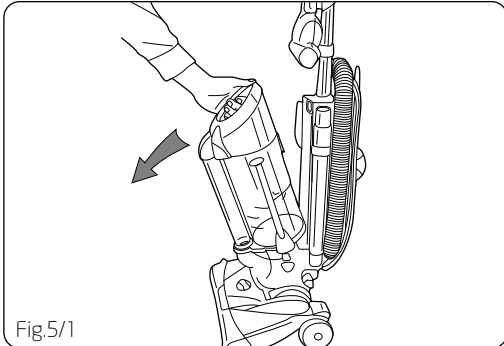
Fig.4/10

## 5. Dirt Container & Filters: Removal and Replacement

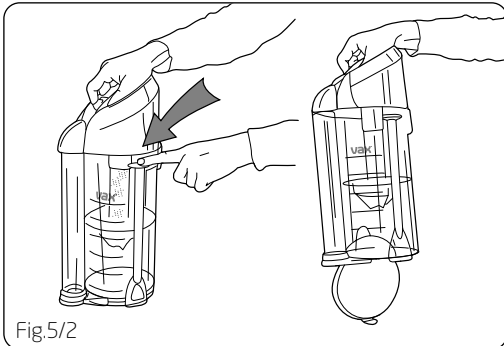
**⚠ WARNING:** To reduce the risk of injury from moving parts, unplug before servicing.

### Emptying the dirt container:

Press dirt container release button and remove dirt container from cleaner (Fig.5/1).



Hold dirt container over dustbin and press clean release dirt container button to empty. Snap dirt container back into place after emptying (Fig.5/2).



Click buttons on the base of the cleaner towards the outside edges to unlock filter cartridge (Fig.5/3).

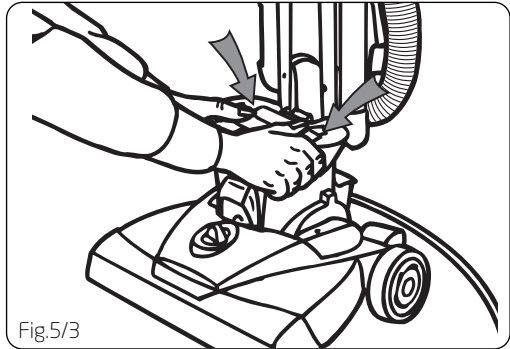


Fig.5/3

Lift filter cartridge out of base of cleaner (Fig.5/4).

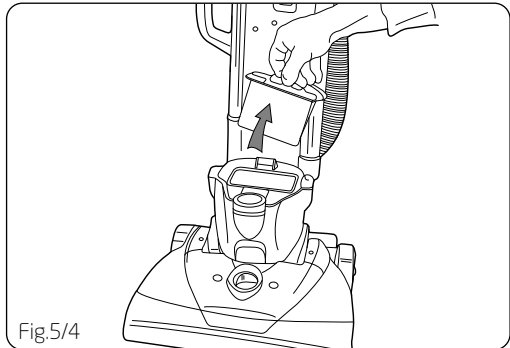


Fig.5/4

### Remove foam filter:

Remove the foam filter from the filter cartridge (Fig.5/5).

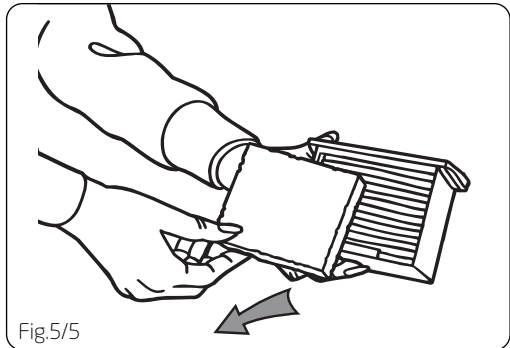


Fig.5/5

### Clean pleated filter:

Tap the pleated filter on the inside of a dustbin to remove excess dust and dirt from filter. If filter is still clogged, rinse under (Fig.5/6).

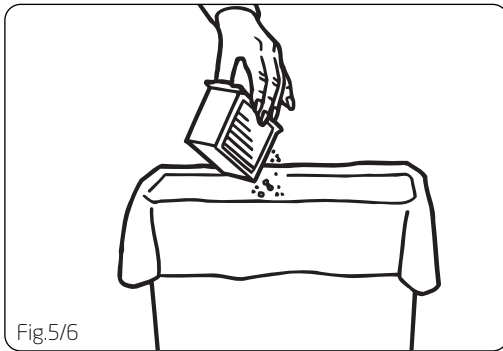


Fig.5/6

**Wash foam filter:**

Hold foam filter under running water to wash (Fig.5/7). Ring excess water out of filter. Allow filter to dry for at least 24 hours before replacing in filter cartridge.

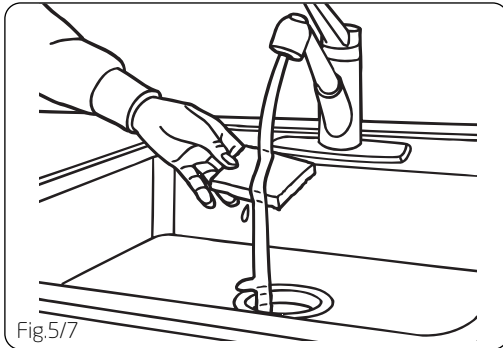


Fig.5/7

**Replace foam filter:**

Return the foam filter to the filter cartridge (Fig.5/8).

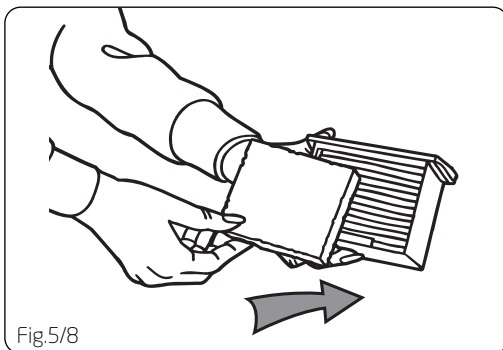


Fig.5/8

**Replace filter cartridge:**

Return filter cartridge to base of cleaner (Fig.5/9).

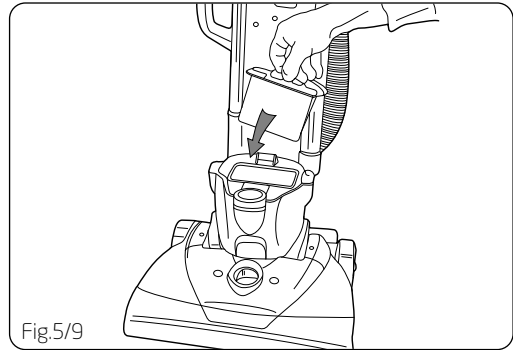


Fig.5/9

Click buttons back into place to lock filter cartridge in base of cleaner (Fig.5/10).

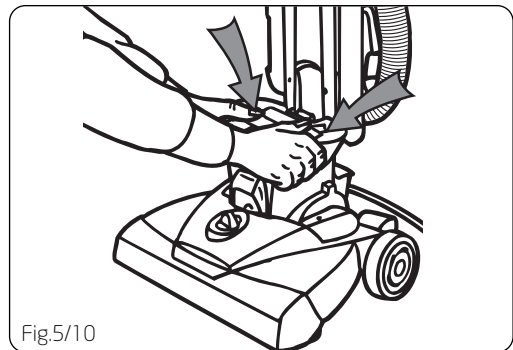


Fig.5/10

**To clean the air director:**

To remove Air Director, rotate 1/4 turn counterclockwise (Fig.5/11).

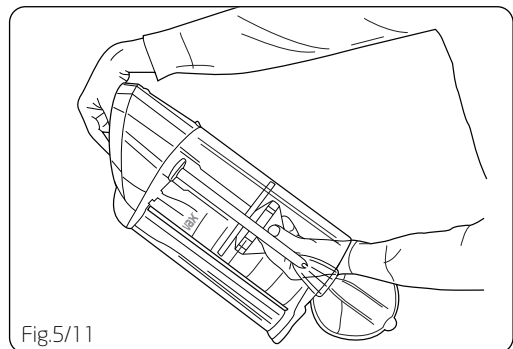


Fig.5/11

Pull out and wipe with a damp cloth to clean (Fig.5/12).

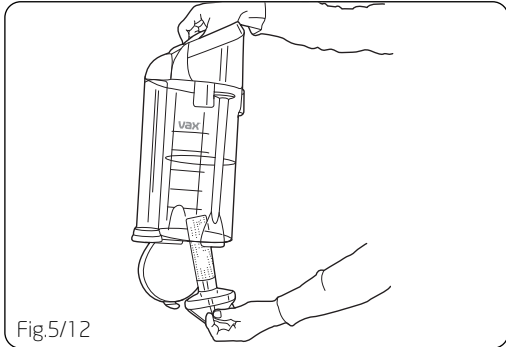


Fig.5/12

Dry and return the air director to the dirt container. Rotate 1/4 turn clockwise to lock in place (Fig.5/13).

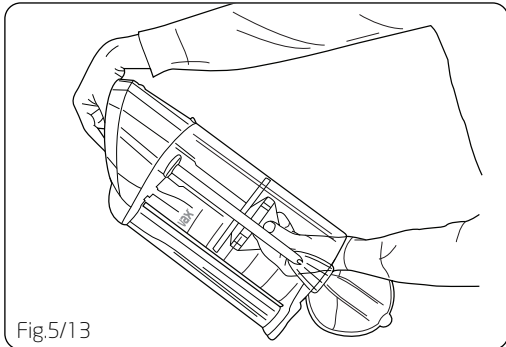


Fig.5/13

#### Replace dirt container:

Return dirt container to cleaner. Align slot on bottom of dirt container with tab on cleaner. Push to snap into place (Fig.5/14).

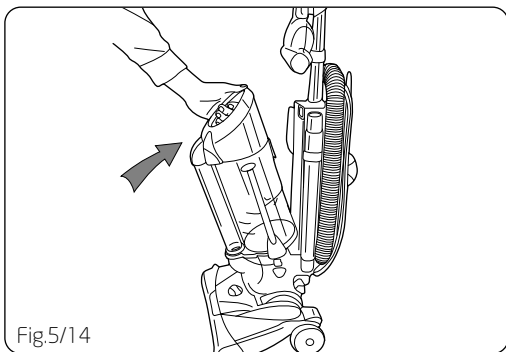


Fig.5/14

### Regular Maintenance

Each time the dirt container is emptied, the filter should be cleaned. Tap the filter firmly against the inside of a dustbin until the dirt stops falling from the filter.

The filter will be discoloured after use, but this will not affect the filter's performance.

Do not brush the filter.

The cleaning instructions may vary depending on the dirt conditions. In some cases, more or less cleaning of the filter may be required.

## 6. Belt or Brushbar: Removal and Replacement

Tool required: Phillips screwdriver

**! WARNING:** To reduce the risk of injury from moving parts, unplug cleaner before changing belt or brushbar.

#### To remove belt:

Lay cleaner flat and flip cleaner to expose nozzle base. Base should lay flat and face up. The remove nozzle guard, use Phillips screwdriver to remove the three (3) screws. Arrows show location of screws (Fig.6/1).

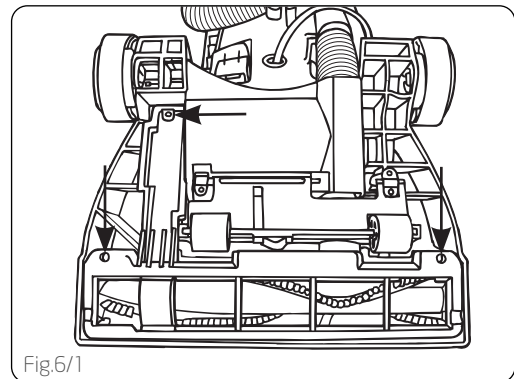


Fig.6/1

Pull and lift nozzle guard off (Fig.6/2).

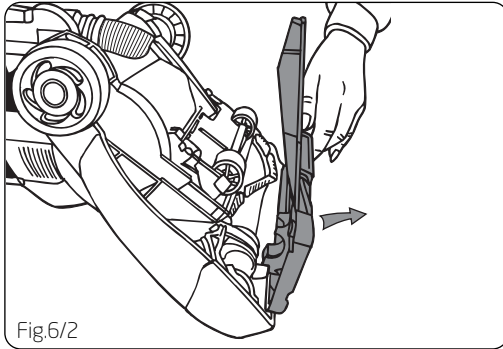


Fig.6/2

Lift and remove brushbar (Fig.6/3). Dispose of old belt.

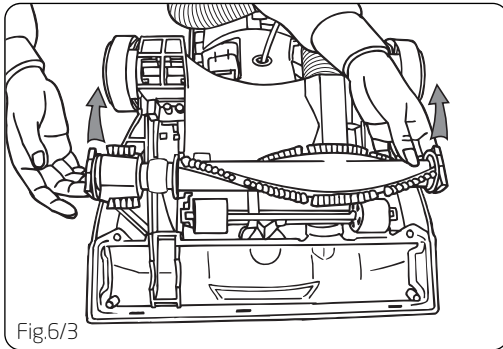


Fig.6/3

**To replace belt or brushbar:**

Slide belt onto motor shaft (see Fig.6/4).

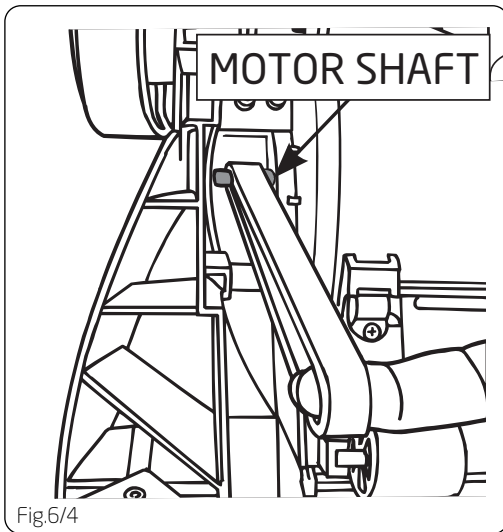


Fig.6/4

Place new belt in area of brushbar without bristles (Fig.6/5).

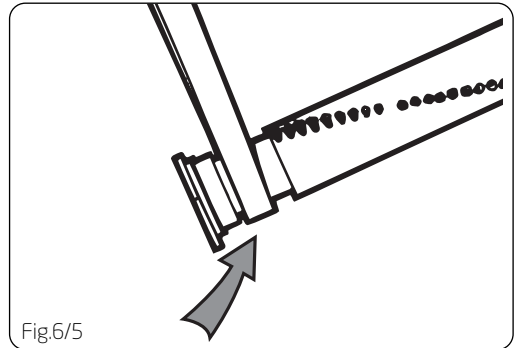


Fig.6/5

With new belt in place, pull and slide brushbar into nozzle making sure that the brushbar end caps are in the correct orientation (inset). Rotate brushbar manually to make sure belt is properly aligned (Fig.6/6).

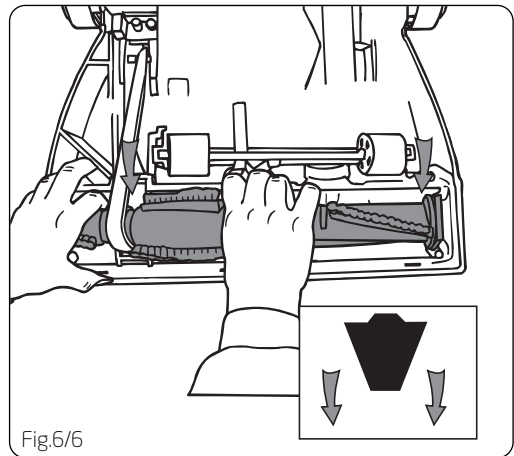


Fig.6/6

Re-attach nozzle guard (Fig.6/7).

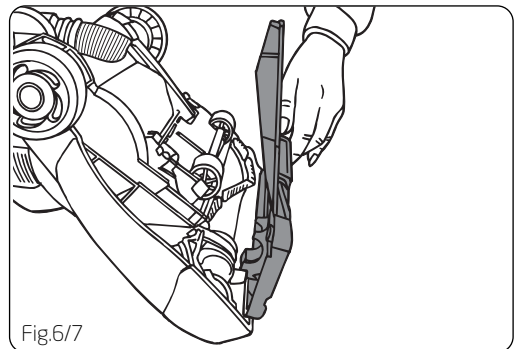


Fig.6/7

Secure by aligning the three (3) tabs in the base slots.

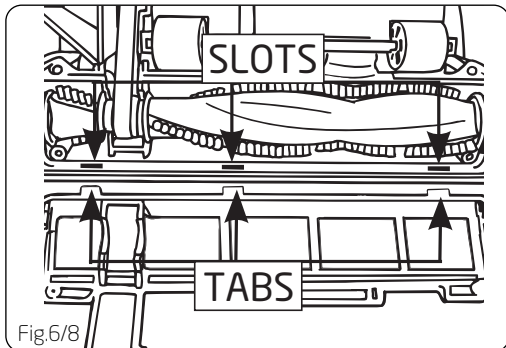


Fig.6/8

Replace all three (3) screws to secure nozzle guard (see Fig.6/9).

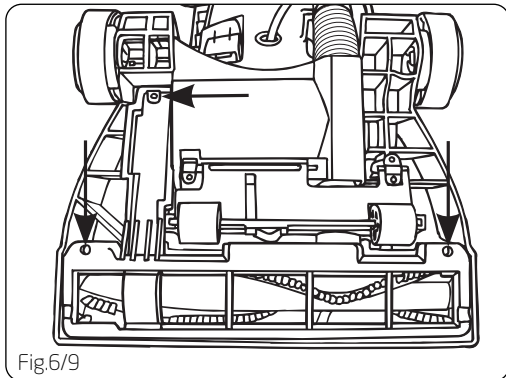


Fig.6/9

## 7. General Maintenance

**! WARNING:** To reduce the risk of injury from moving parts, unplug before servicing.

### Debris removal - hose:

Check to see if dirt container is full; empty if needed

Plug cleaner in and check to see if there is any suction at end of hose. If there is **suction** at end of hose, move on to debris removal section below. If there is **no suction** at the end of the hose, follow these steps:

- 1 Remove the dirt container (see section 5) and check dirt container inlet located on cleaner (Fig.7/1).

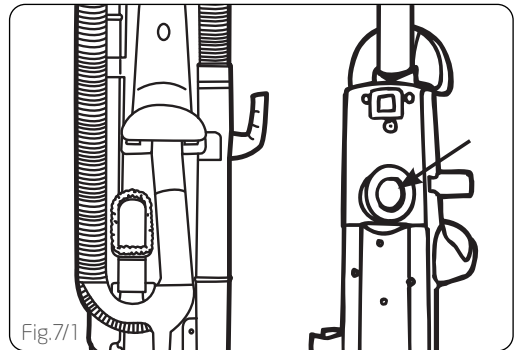


Fig.7/1

### Debris removal - nozzle guard:

Remove nozzle guard (Fig.7/2) by removing three (3) screws. Remove obstruction.

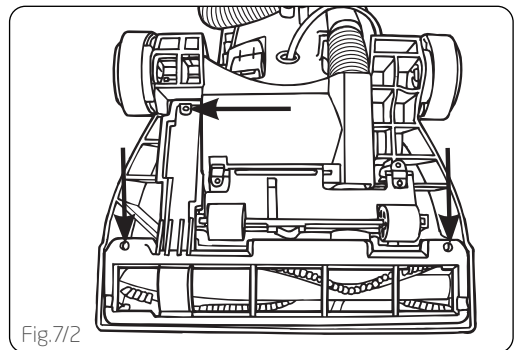


Fig.7/2

**Debris removal - TurboTool:**

Rotate locking ring 180° and turn TurboTool over (Fig.7/3).

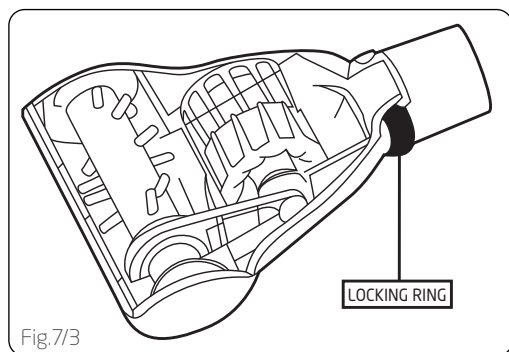


Fig.7/3

Pivot lower housing and remove clog (Fig.7/4).

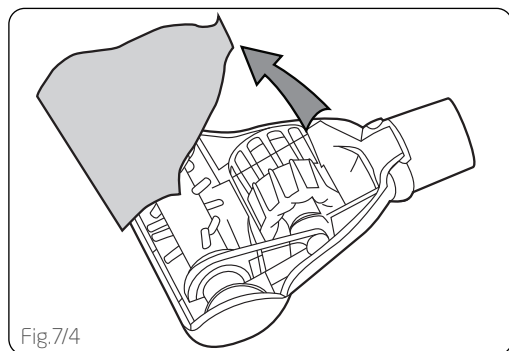


Fig.7/4

To reassemble, be sure tabs are engaged. Pivot the lower housing closed (Fig.7/5).

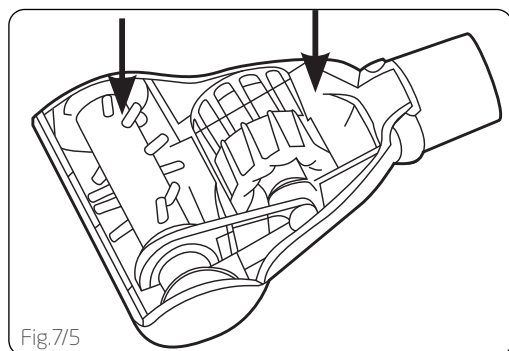


Fig.7/5

## 8. Troubleshooting

**! WARNING:** To reduce the risk of personal injury, unplug the vacuum cleaner before performing maintenance or troubleshooting checks.

**PROBLEM: Vacuum cleaner won't run**

**Cause:** Not properly plugged into electrical outlet.

**Solution:** Plug unit in firmly.

**Cause:** No electricity in the electrical outlet.

**Solution:** Check fuse or breaker.

**Cause:** Cleaner requires service.

**Solution:** Take your cleaner to a service centre. Call 0870 606 1248 to find your nearest Vax approved service agent.

**Cause:** Motor thermostat has tripped.

**Solution:** Switch off and unplug the vacuum cleaner. Leave for one (1) hour. See page 3.

**PROBLEM: Cleaner won't pick up/loss of suction.**

**Cause:** Dirt container not installed properly.

**Solution:** Review dirt container replacement (section 5).

**Cause:** Dirt container full or blocked.

**Solution:** Empty dirt container (see section 5).

**Cause:** Brushbar or belt worn or broken.

**Solution:** Replace belt or brushbar (see section 6).

**Cause:** One or both filters are clogged.

**Solution:** Remove, clean and replace filters.

**Cause:** Nozzle / dirt passage clogged.

**Solution:** Open access door, remove obstruction (see section 7).

**Cause:** Carpet height setting is incorrect.

**Solution:** Set carpet height adjustment to appropriate setting for carpet being cleaned.

**Cause:** Hose clogged.

**Solution:** Remove hose and tools, remove obstruction (see section 7).

**PROBLEM: Dust escaping from the vacuum cleaner.**

**Cause:** Dirt container full.

**Solution:** Empty dirt container.

**Cause:** Dirt container not installed.

**Solution:** Review dirt container replacement.

**Cause:** Hose not installed correctly.

**Solution:** Review installation.

**Cause:** Filter not installed completely.

**Solution:** Remove, clean and replace filter.

**PROBLEM: Cleaner is difficult to push forwards.**

**Cause:** Carpet height setting is incorrect.

**Solution:** Set carpet height adjustment to appropriate setting for carpet being cleaned.

## 9. Technical Specification

Voltage: 220-240V ~50Hz  
Wattage: 1550W  
Capacity: 2.2L  
Filters: Foam and pleated HEPA pre motor filters  
Cord length: 9.2m  
Weight: 9.35kg

Subject to technical change without notice.

[www.vax.co.uk](http://www.vax.co.uk)

This page has been left intentionally blank

This page has been left intentionally blank



### EEC STATEMENT OF COMPLIANCE

Manufacturer/EEC importer: Vax Limited, hereby on our own responsibility, declare that the V-008SC Performance Cyclonic Upright is manufactured in compliance with the following Directives:

**Safety:** 2006/95/EC Low Voltage Directive  
**EMC:** 89/336/EEC Electromagnetic Compatibility Directive



Waste electrical products should not be disposed of with household waste. Please recycle where facilities exist. Check with your Local Authority or retailer for recycling advice.

Vax Ltd., Kingswood Road, Hampton Lovett, Droitwich, Worcestershire, WR9 0QH, UK  
email: [info@vax.co.uk](mailto:info@vax.co.uk) - website: [www.vax.co.uk](http://www.vax.co.uk)