



**turboforce**  
cyclonic power cleaner

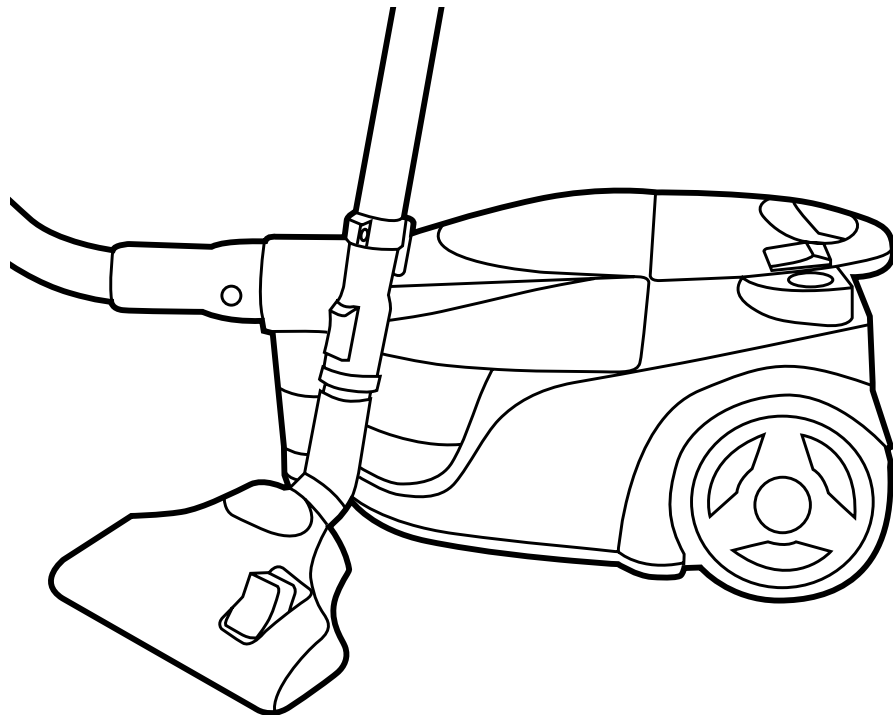
Cylinder range

V-051/V-052

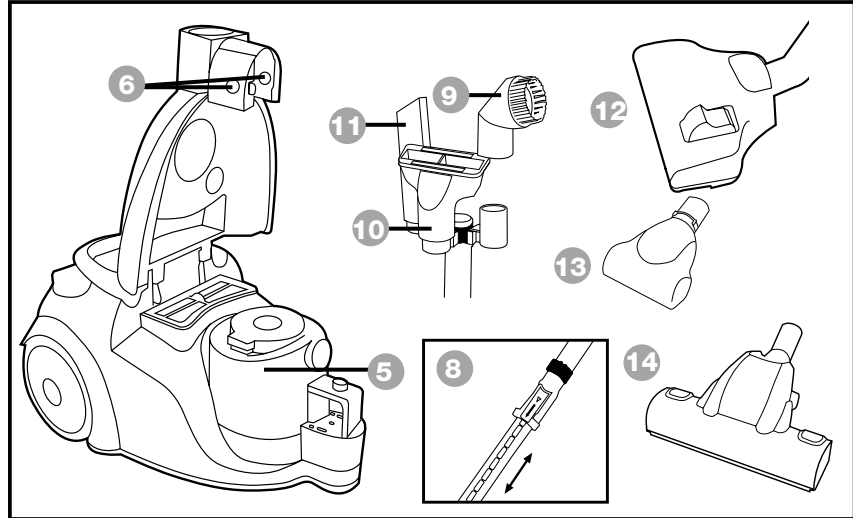
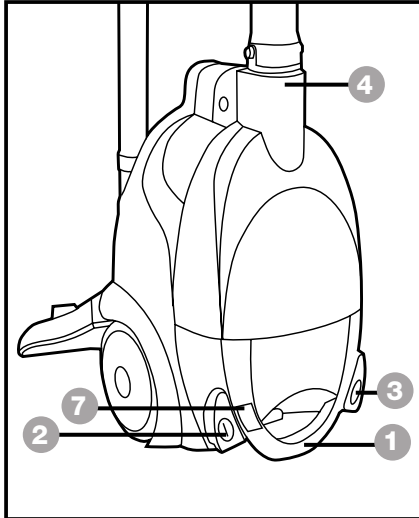
V-053/V-054

## **easy guide**

Please read carefully before using your cleaner. Always fully extend mains cable before use.



# Parts checklist



## Parts

- 1) Carry handle
- 2) On/off button
- 3) Cord rewind button
- 4) Hose connection socket
- 5) Dust container
- 6) Top cover release buttons
- 7) Carry handle release button
- 8) Telescopic extension tubes

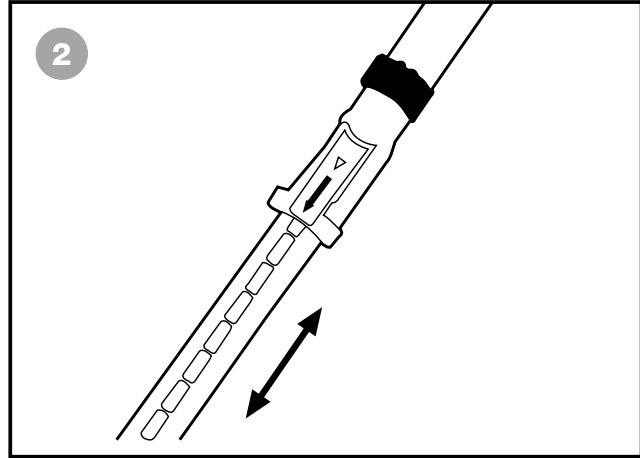
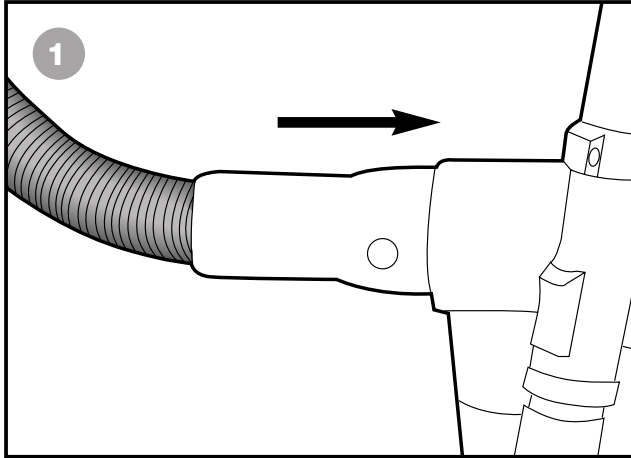
## Accessories

- 9) Dusting brush
- 10) Upholstery tool
- 11) Crevice tool
- 12) Combination floor head

## Optional accessories

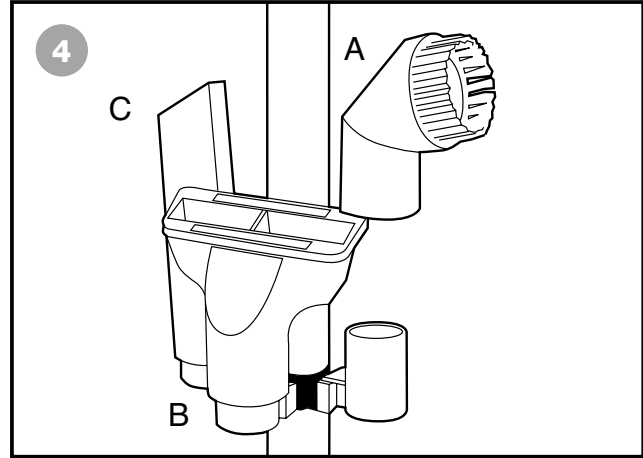
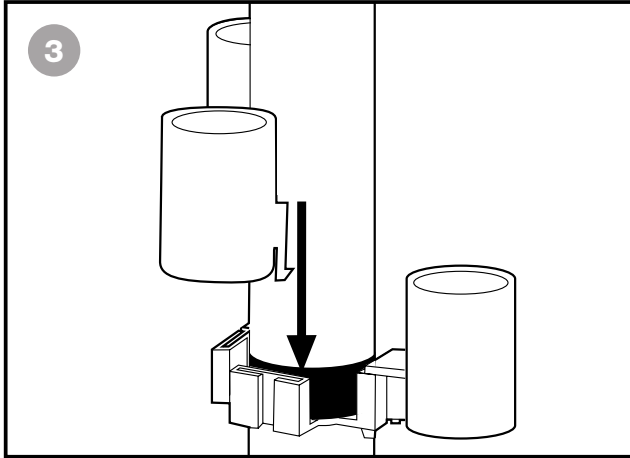
- 13) TurboTool™ (V-052 only)
- 14) Turbobrush (V-053 only)

## Assembling the cleaner



- fig. 1 To attach the flexible hose to the vacuum cleaner, push the connecting end of the flexible hose into the hose connection socket on the vacuum cleaner by pressing the two buttons on either side of the hose connection.
- fig. 2 The telescopic extension tubes can be lengthened or shortened by pushing the button forward and sliding the tubes apart or together as required.

## Assembling the easy-reach tool system

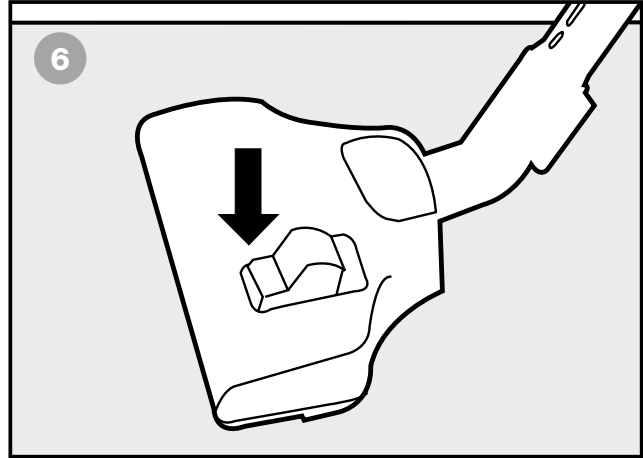
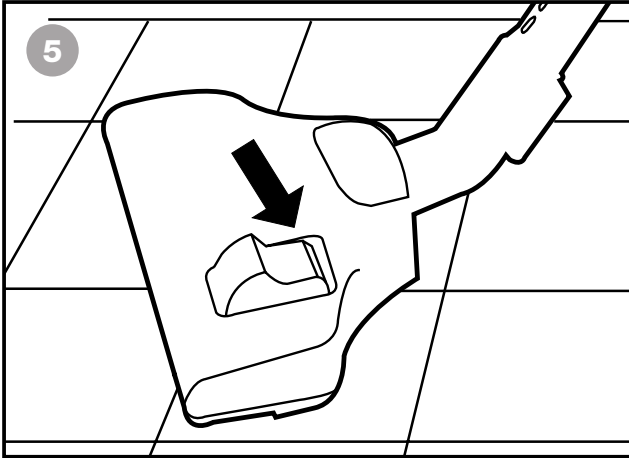


Your Vax cylinder is equipped with easily-accessible tool storage. To assemble this, please follow these instructions.

fig. 3 The tool storage system fixing bracket is already in place on the extension tube. Insert the holding tubes as shown until the tubes click into place.

fig. 4 Place the dusting brush (A), upholstery tool (B) and crevice tool (C) on the tubes as shown.

## Adjusting the combination head for carpets & hard floors

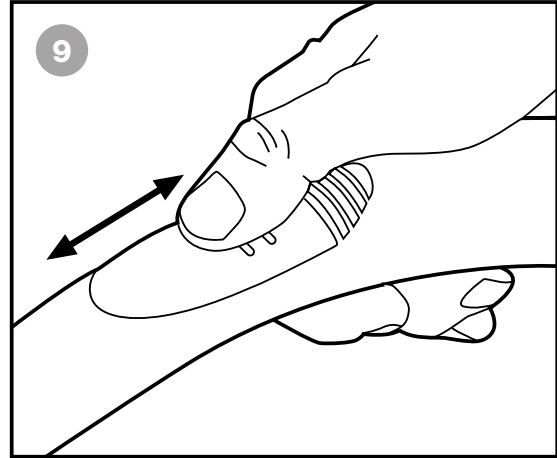
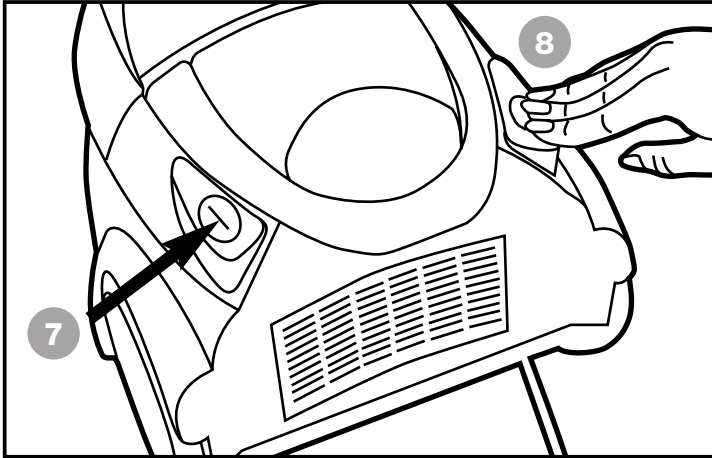


Your Vax cylinder comes equipped with a combination floor head that can be used on carpets and hard floors. Flick the rocker switch to the appropriate position as detailed below.

fig. 5 Hard floor position (tiles, parquet floors, etc) – the brushes must be in the lower position. Press on the rocker switch to lower them.

fig. 6 Carpet or rug position – the brushes should be raised. Press the rocker switch to raise them.

## How to use your Vax cylinder



Note: Fully extend the mains cable and plug it into a standard domestic outlet.

fig. 7 Press the on/off button to start the vacuum cleaner. To stop it, press the on/off button again.

fig. 8 Press the cable rewind button to recoil the power lead.

fig. 9 The hose grip has a bleed valve that allows control of suction power. To reduce suction (for example, for use on soft furnishings), open the bleed valve by sliding the plastic cover away from you. To increase suction, close the bleed valve by sliding the plastic cover towards you.

## Carry handle release/how to store

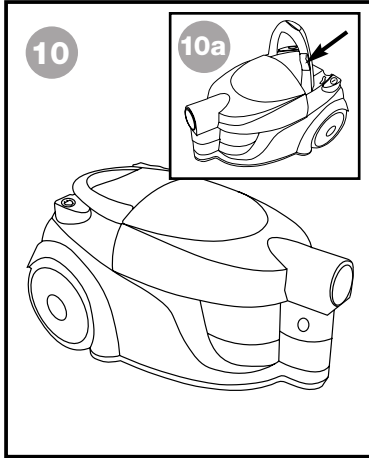


fig. 10 The carry handle can be 'locked' securely by pushing the handle down until it lies flush with the machine body (fig.10); you will hear the handle click into place. To release the handle, slide the release catch (fig.10a) towards the hose end of the machine.

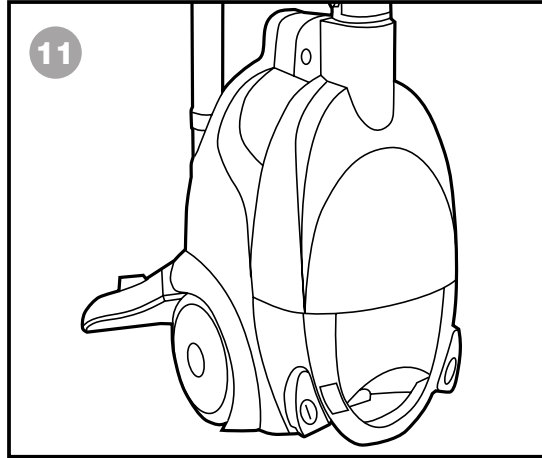


fig. 11 For storage, you can position the vacuum cleaner as shown. Note: the carry handle must be 'locked' (see fig.10) and the cleaner must be switched off.

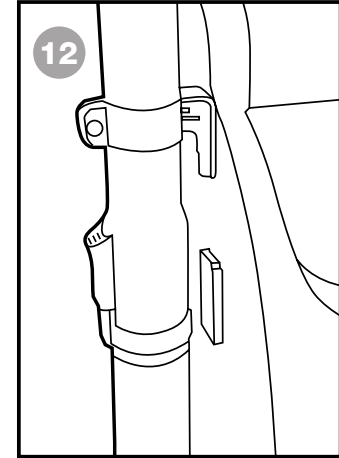


fig. 12 The hook on the telescopic tubes fits in to the retaining block on the underside of the vacuum cleaner.

## How to empty the dust container

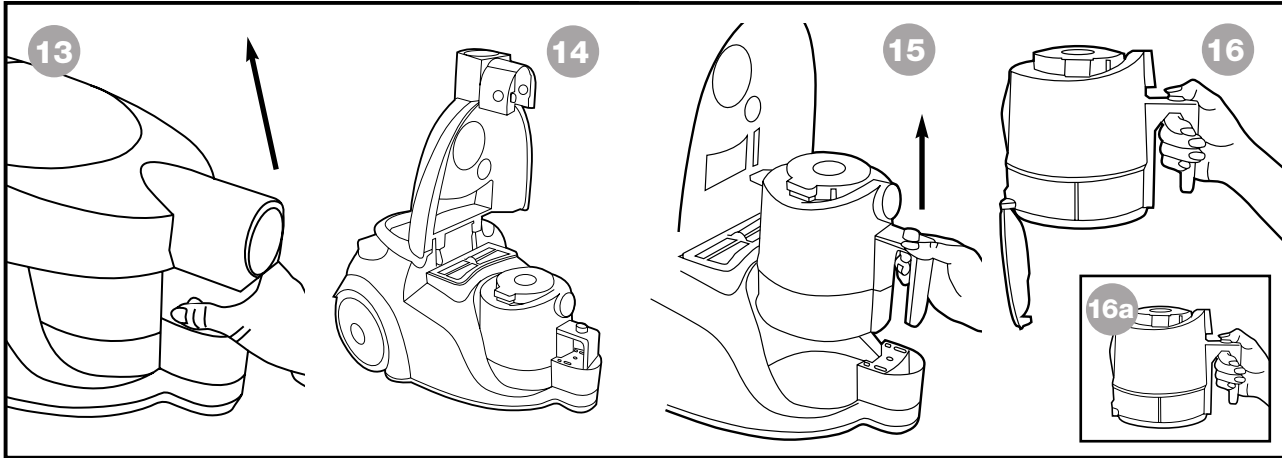


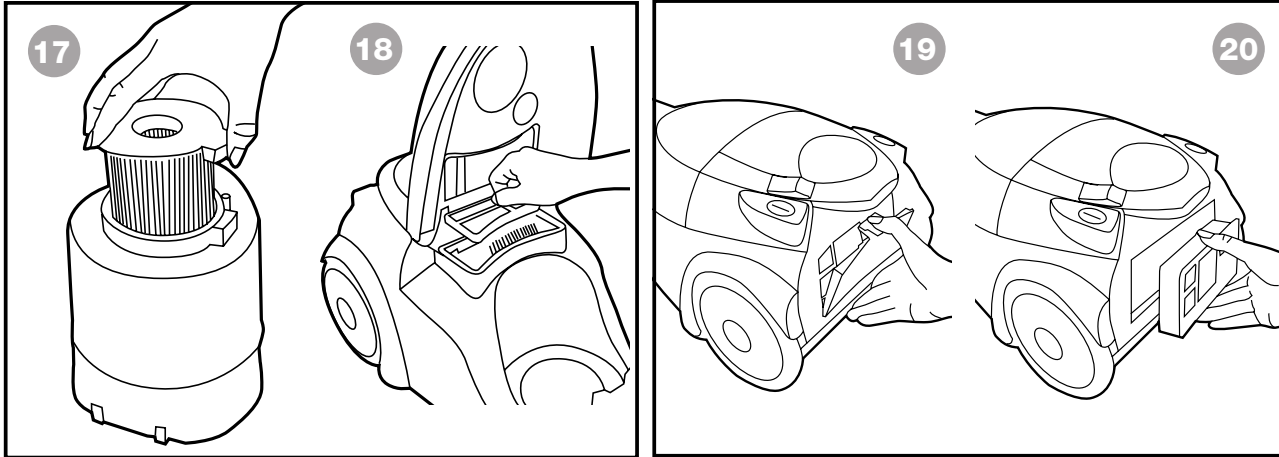
fig. 13 Turn off the cleaner and unplug. Press the two top cover release buttons and raise the top cover to access the dust container.

fig. 14&15 Remove the dust container by lifting it out as shown.

fig. 16 Press the release button over a rubbish bin so that the dirt can be emptied (fig.16). After emptying, close the bottom flap (fig.16a) and re-assemble the cleaner.

Note: See figures 17-20 for filter cleaning methods.

## To clean or change the filters



**Main filter** - This filter should be cleaned frequently and washed occasionally.

fig. 17 The cyclone jug filter is located in the top of the dust container. Remove the filter and tap against the side of a rubbish bin to remove excess dust. The filter can be washed but must be dried thoroughly before re-using. Vax recommend this filter is replaced annually.

### Motor protection filter

fig. 18 The pre-motor filter is located next to the dust container and protects the motor from dust. To access this filter, open the lid, remove the filter and clean by brushing lightly with the dusting brush.

### Exhaust filter

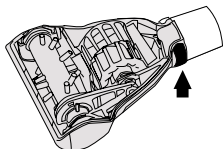
fig. 19 The exhaust filter is housed in the rear of the cleaner. Remove the exhaust filter cover by pressing the tab on the top of the filter cover down, then pull the cover towards you.

fig. 20 Remove the dirty filter assembly from the cleaner and dispose of the filter. **Note: this filter cannot be washed.** Vax recommend this filter is replaced every 6-12 months, depending on usage.

*Attention: Do not use the vacuum cleaner without all of its filters in place.*

## Optional accessories

TurboTool™ (model V-052 only)

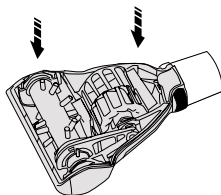


### How to use

- The TurboTool™ fits on the end of the telescopic tubes and/or hose grip.
- Perfect for cleaning stairs and upholstery.
- The TurboTool™ should be pulled backwards for optimum cleaning.

### Clearing blockages

- Rotate the locking ring 180°, then turn the TurboTool™ over.
- Pivot the lower housing open, then remove any obstructions.
- To re-assemble, ensure the tabs are engaged, pivot the lower housing closed then re-position the locking ring.



Turbobrush (model V-053 only)

### Please note

- The Turbobrush is especially suited for looking after rugs and carpets. The Turbobrush is not suitable for hand-knotted or extremely deep pile rugs and carpets. There is a danger that threads will be pulled.

### Clearing blockages

- In case of a defective drivebelt, call the Vax Careline 0870 6061248.
- Disconnect the vacuum cleaner from the power supply before cleaning the brushes.
- Cut the threads and hairs from around the brushbar.
- The debris can be vacuumed up afterwards.

## Troubleshooting

Problem	Possible cause	Possible solution
Cleaner won't run	<ul style="list-style-type: none"> <li>• Power cord not firmly pushed into mains socket.</li> <li>• Blown fuse or tripped circuit breaker.</li> </ul>	<ul style="list-style-type: none"> <li>• Plug cord in firmly to power outlet.</li> <li>• Check fuse/breaker. Replace fuse or reset breaker.</li> </ul>
Cleaner won't pick up/loss of suction	<ul style="list-style-type: none"> <li>• Dust container not installed properly.</li> <li>• Dust container full.</li> <li>• Nozzle/dirt passage clogged.</li> <li>• Filters are clogged.</li> </ul>	<ul style="list-style-type: none"> <li>• Re-install dust container.</li> <li>• See 'How to empty the dust container' (fig.13-16a).</li> <li>• Remove obstruction.</li> <li>• Clean or replace filters (fig.17-20).</li> </ul>
Dust escaping from cleaner	<ul style="list-style-type: none"> <li>• Dust container not installed properly.</li> <li>• Dust container is full.</li> </ul>	<ul style="list-style-type: none"> <li>• Re-install dust container.</li> <li>• See 'How to empty the dust container' (fig.13-16a).</li> </ul>

# Safety

- For indoor use only.
- Do not leave the appliance unattended when plugged in. Unplug it from socket when not in use.
- To prevent electric shock do not use outdoors or on wet surfaces.
- Not to be used as a toy. Close supervision is necessary when used by or near children or the infirm.
- Use only as described in this user guide.
- Use only the manufacturer's recommended attachments.
- Do not use with a damaged cord or plug.
- Do not pull or carry by the cord, use the cord as a handle, allow the cord to come into contact with hot or sharp surfaces or close a door on the cord.
- Do not unplug by pulling on the cord.
- Do not handle the plug or appliance with wet hands.
- Do not put any objects into openings or operate with openings blocked. Keep them free of anything that may reduce airflow.
- Keep hair, loose clothing, fingers, and all parts of the body away from openings and moving parts.
- Do not vacuum any glowing, burning or smoking particles.
- Do not use without the dust container and filters in place.
- Turn off all controls before unplugging.
- Use extra care when cleaning on stairs.
- Do not use to pick up flammable or combustible liquids such as petrol, or use in areas where they may be present.
- Keep the vacuum cleaner on the floor, only the hand held tools may be used on furniture.
- Do not use an extension cord with this vacuum cleaner.
- Switch off before attaching or removing the TurboTool™.
- Do not attempt to remove blockages in the hose with sharp objects as they may cause damage.
- Store the vacuum cleaner indoors. Put the vacuum cleaner away after use to prevent tripping accidents.
- Using improper voltage may result in damage to the motor and possible injury to the user. The correct voltage is listed on the rating plate.

**For further information in the UK, call the Vax Careline: 0870 606 1248**



## EEC STATEMENT OF COMPLIANCE

Manufacturer/EEC importer: Vax Limited, hereby on our own responsibility declare that the products V-051/V-052/V-053/V-054 are manufactured in compliance with the following:

**Safety:** 73/23/EEC Low Voltage Directive, as modified by 93/68/EEC

**EMC:** 89/336/EEC Electromagnetic Compatibility Directive, as modified by 93/68/EEC



Waste electrical products should not be disposed of with household waste. Please recycle where facilities exist. Check with your local Authority or retailer for recycling advice.

**Vax Ltd., Kingswood Road, Hampton Lovett, Droitwich, Worcestershire, WR9 0QH, UK**

**email: [enquiry@vax.co.uk](mailto:enquiry@vax.co.uk) - website: [www.vax.co.uk](http://www.vax.co.uk)**

**Version 1**