



Vax careline  
0870 6061248

# Bagless cylinder

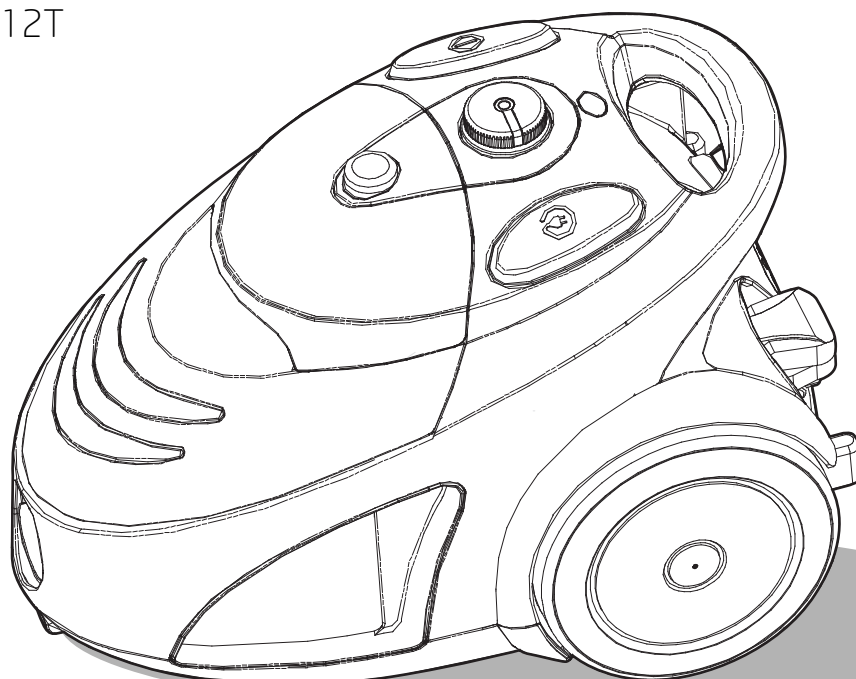
## G:3

Vax model number:

V-112P

V-112

V-112T

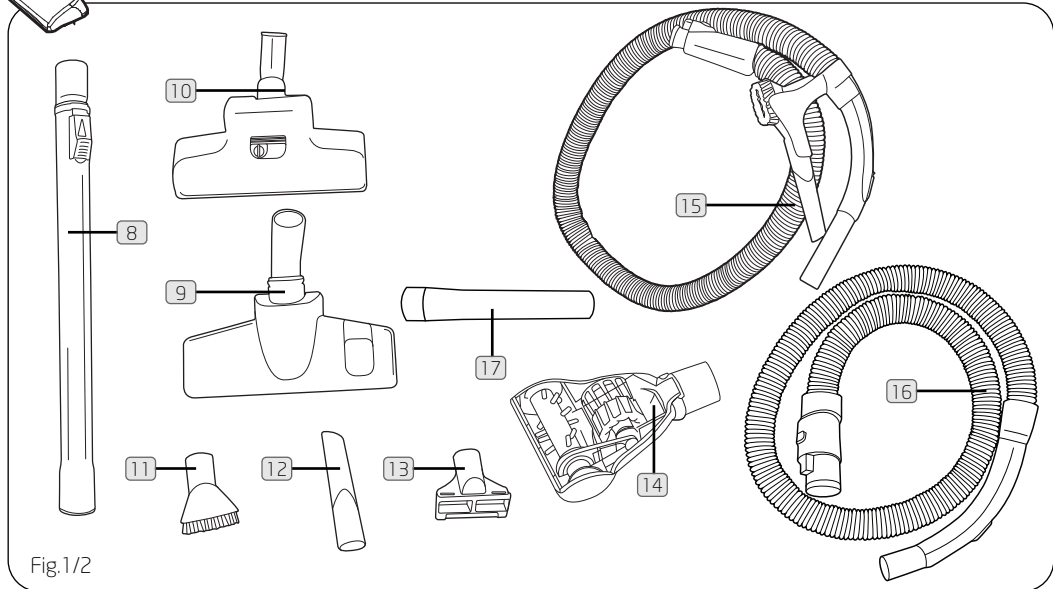
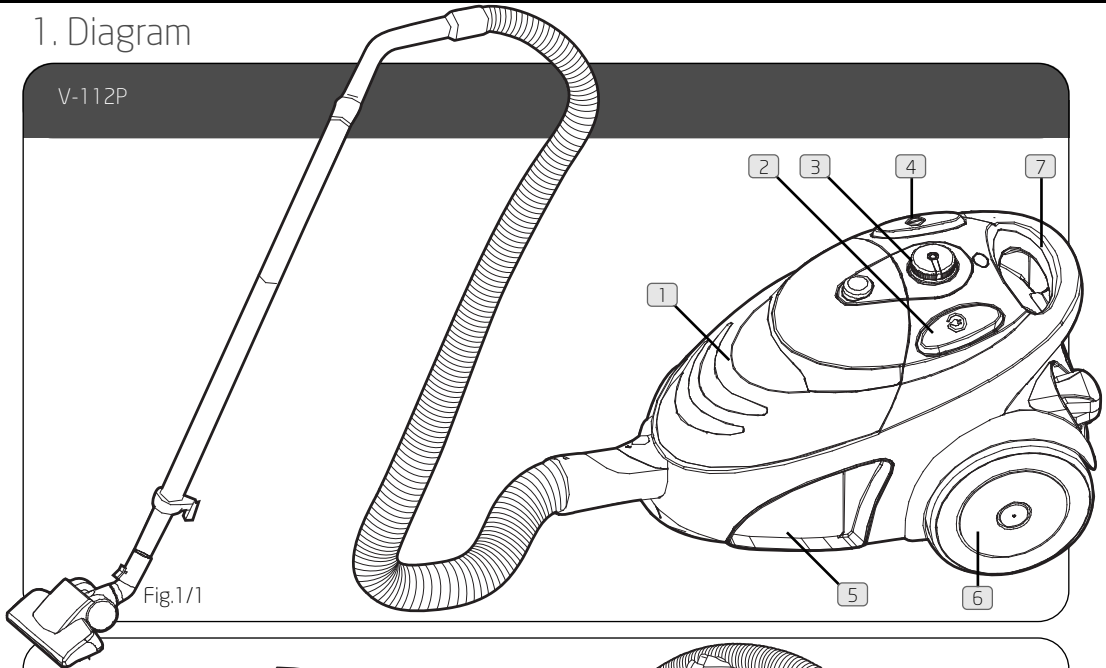


instruction manual

[www.vax.co.uk](http://www.vax.co.uk)

Please read carefully before using this cleaner.  
Always fully extend the mains cable before use.  
Retain for future reference.

# 1. Diagram



- |                         |                                   |   |
|-------------------------|-----------------------------------|---|
| 1 Dirt container handle | 7 Carry handle                    | 13 Upholstery tool                                  |
| 2 Cord rewind button    | 8 Telescopic tube                 | 14 TurboTool (Model V-112P, V-112A only)            |
| 3 Variable power dial   | 9 Combination floor head          | 15 Flexible hose                                    |
| 4 On/off button         | 10 TurboBrush (Model V-112P only) | 16 Stretch Hose (Model V-112P only)                 |
| 5 Dirt container        | 11 Dusting brush                  | 17 Turbo Tool connector (Model V-112P, V-112A only) |
| 6 Wheel                 | 12 Crevice tool                   |   |

## 2. Safety Information

### For Household Use Only

When using the vacuum cleaner, basic safety precautions should always be observed, including the following:

1. Only use the vacuum cleaner indoors on dry surfaces.
2. Turn off the vacuum cleaner controls before connecting or disconnecting from the mains supply.
3. Always unplug the vacuum cleaner before connecting or disconnecting the vacuum hose and accessories.
4. Children should be supervised to ensure that they do not play with the appliance.
5. The appliance is not intended for use by persons (including children) with reduced physical, sensory or mental capabilities, or lack of experience and knowledge, unless they have been given supervision or instruction concerning use of the appliance by a person responsible for their safety.
6. Use only as described in this manual. Use only the manufacturer's recommended attachments.
7. Do not use the vacuum cleaner if it has been dropped, damaged, left outdoors or dropped into water. Do not use the vacuum cleaner with a damaged cord or plug. If the supply cord or plug is damaged, return the vacuum cleaner to a Vax Authorised Service Agent or suitably qualified person for examination, repair or adjustment.
8. Do not pull or carry by the cord. Do not use the cord as a handle, close a door on the cord or pull the cord around sharp edges or corners. Do not run the vacuum cleaner over the cord. Keep the cord away from heated surfaces.
9. Do not handle the plug or vacuum cleaner with wet hands. Do not use outdoors or on wet surfaces.
10. Do not put any objects into openings. Do not use with any openings blocked and do not restrict air flow. Keep all openings free of dust, lint, hair or anything that may reduce airflow.
11. Keep hair, loose clothing, fingers and all parts of the body away from openings and moving parts.
12. Do not pick up hot coals, cigarette butts, matches or any hot, smoking or burning objects.
13. Do not pick up flammable or combustible materials (lighter fluid, petrol, kerosene, etc) or use in the presence of explosive liquids or vapours.
14. Do not vacuum up harmful or toxic material (chlorine bleach, ammonia, drain cleaner, etc).
15. Do not vacuum up hard or sharp objects such as glass, nails, screws, coins, etc.
16. Do not use without the filters in place.
17. Take extra care when vacuuming stairs.
18. Keep vacuuming area well lit.
19. Store the vacuum cleaner indoors in a cool, dry area.
20. Turn off the on/off switch before unplugging the vacuum cleaner.
21. Use only CE-approved 13 amp extension cords. Non-approved extension cords may overheat. Care should be taken to arrange the cord so that the cord cannot be pulled or tripped over.

**! WARNING:** Always switch off and unplug the vacuum cleaner from the electrical outlet before assembling, opening or emptying the dirt container, or before connecting/disconnecting the attachments.

**! CAUTION:** The vacuum cleaner is a very powerful unit. Before plugging the cord into the electrical outlet, make sure the switch is in the 'off' position.

**! IMPORTANT:** If the inlet, hose or telescopic tube is blocked, switch off the vacuum cleaner and remove the blockage(s) before re-starting the vacuum cleaner.

**! IMPORTANT:** Cleaning filters improves vacuum performance. Make sure all the filters are completely dry before inserting back into the vacuum cleaner.

This vacuum cleaner is intended for household use only and not for commercial or industrial use.

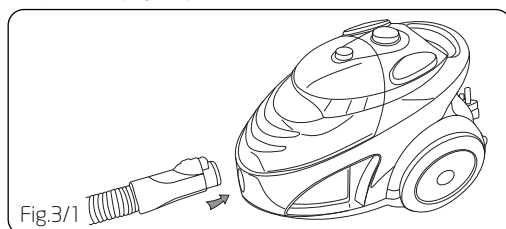
### Motor Thermostat

**IMPORTANT:** The motor is equipped with a thermal cut-out. If for any reason, the vacuum cleaner should over-heat, the thermostat will automatically turn the unit off. Should this occur, unplug the vacuum cleaner from the electrical outlet and turn off the switch. Remove the dirt container and empty. Clean the filters. Allow the cleaner to cool for approximately one (1) hour. To re-start, plug into an electrical outlet and switch back on.

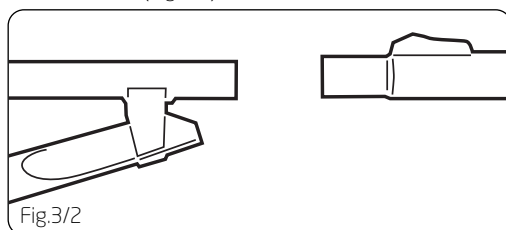
### 3. How to Assemble

**! IMPORTANT:** Always unplug the vacuum cleaner from the electrical outlet before assembling or removing the accessories.

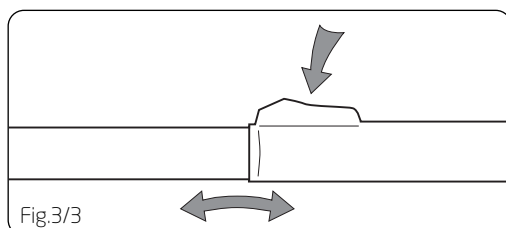
1. Insert the flexible hose into the inlet on the main body of the vacuum cleaner. Push in until it clicks into position (Fig.3/1).



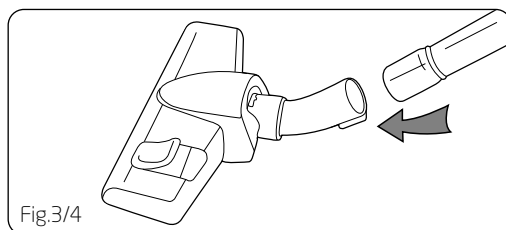
2. Push the telescopic extension tube on to the end of the handle (Fig.3/2).



3. The telescopic extension tube can be lengthened or shortened by pushing the button in and sliding the tube apart or together as required (Fig.3/3).



4. Fit the combination floor head by pushing onto the extension tube (Fig.3/4).



### 4. How to Operate

#### Cord Release

Fully unwind the power cord. A yellow mark on the power cord indicates the recommended cord length. Do not exceed the cord length beyond the red mark.

#### On/Off Button

Insert the power plug into the electrical outlet. Ensure the vacuum cleaner is switched off.

Press the on/off button located on the top of the vacuum cleaner and press the button again to turn the vacuum cleaner off.

#### Carpet Cleaning

For carpet and rug cleaning press the rocker switch on the combination floor head to raise the brushes.

#### Hard floor cleaning

For hard floor cleaning, press the rocker switch on the combination floor head to lower the brushes.

#### Cord Rewind

To rewind the power cord, press the cord rewind button, located on the top of the vacuum cleaner, and guide the power cord with one hand. This will prevent the cord from whipping which could cause damage or injury.

#### Variable Power

Located between the cord rewind and the on/off button there is a variable power dial. Rotate the dial clockwise to increase the power and anti-clockwise to reduce.

#### Carry Handle

Use the carry handle located behind the cord rewind button and on/off button to move the vacuum cleaner from room to room.

#### Hose Storage

For convenience there is a slot located on the rear of the vacuum cleaner where the floor tool and hose can be parked for carrying and storage.

## 5. Accessories

The accessories can be attached directly to the handle by removing the telescopic tube and pushing in the desired accessory.

The accessories can also be attached to the telescopic tube for extra reach. Remove the combination floor head and push on the desired accessory.

**Dusting brush:** for delicate surfaces.

**Upholstery tool:** for carpets, upholstery, stairs, etc.

**Crevice Tool:** for crevices, corners and cracks, etc.

**! IMPORTANT:** The TurboTool and TurboBrush both require the connector to be used in conjunction when attaching these accessories to the handle or telescopic extension tube.

**TurboBrush (Model V-112P only):** for large carpeted areas. (NOTE: Not recommended for hard floors).

**TurboTool (Model V-112P only):** for vacuuming up pet hair, stair and upholstery cleaning.

(NOTE: Before using the Turbo Tool attach the connector to the handle or the telescopic tube)

(NOTE: Do not use the TurboTool on suede and leather surfaces).

**Stretch hose (Model V-112P only):** for full height stair cleaning (NOTE: This should not be used as the main vacuum hose)

**WARNING:** For stair cleaning, the unit should always be placed at the bottom of the stairs.

**NOTE:** The stretch hose is recommend to be used for a period of 20 minutes max.

## 6. Dirt Container & Filter: Removal and Replacement

**! WARNING:** Always unplug the vacuum cleaner from the electrical outlet before removing the dirt container.

**! WARNING:** Do NOT use the vacuum cleaner without ALL of the filters in place.

**NOTE:** For best performance, replace filters annually.

### Emptying the Dirt Container

Press the button located on the top of the dirt container handle to pull out the dirt container (Fig.6/1)

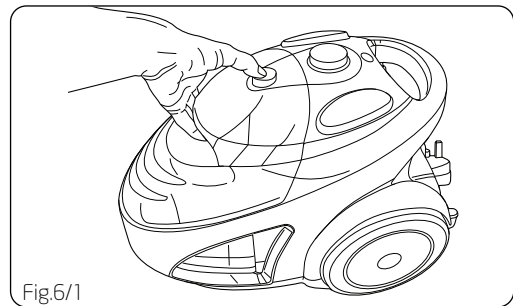


Fig.6/1

Position the dirt container over a rubbish bin and press the dirt container release catch as shown (Fig.6/2)

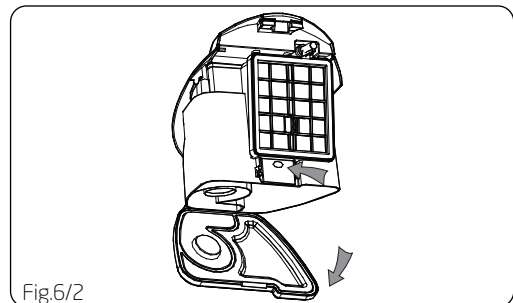


Fig.6/2

When all the dirt has fallen, close the dirt container bottom and replace back in the unit until a click is heard.

### Cleaning the Central Filter

Remove the dirt container as directed.

With the dirt container bottom open reach inside the dirt container as shown for the central filter (Fig.6/3).

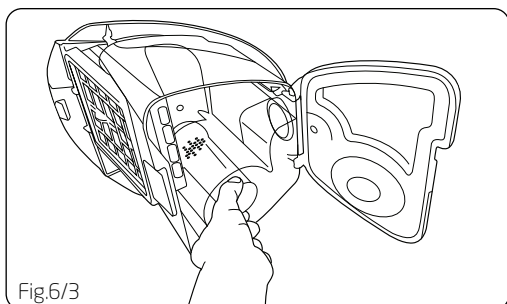


Fig.6/3

Rotate anti-clockwise and pull away from the dirt container (Fig. 6/4). The dirt container may be wiped to clean.

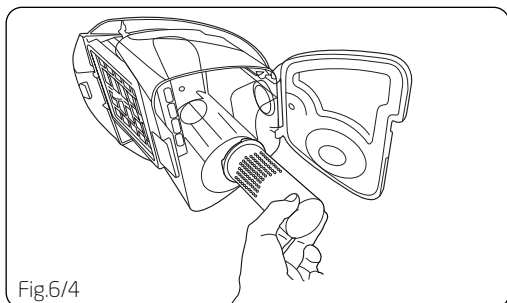


Fig.6/4

The central filter should then be cleaned with a soft brush and wiped with a damp cloth (Fig.6/5).

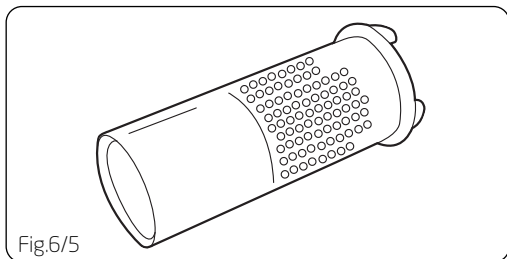


Fig.6/5

Leave the central filter to completely dry before replacing.

**! IMPORTANT:** The central filter should not be submerged in water.

**NOTE:** Do NOT use any detergents or boiling water to wash the filter. Vax recommends washing the filter every time you empty the dust container.

Replace the filter back in the dirt container turning it clockwise into lock position.

Replace the dirt container as directed.

### Cleaning the Pre Motor Filter

Remove the dirt container as directed.

Remove the filter as shown (Fig.6/6).

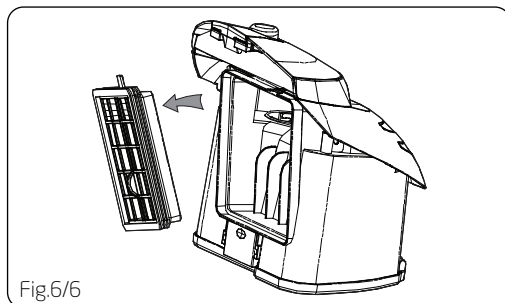


Fig.6/6

Rinse the pre-motor and foam filter in warm water (max 40°C) allow to air dry for at least 24 hours before replacing (Fig.6/7).

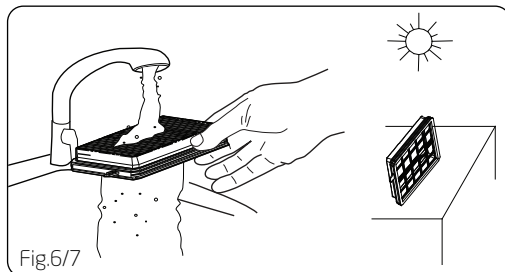


Fig.6/7

Return the pre-motor filter to the dirt container and then to the vacuum cleaner.

### Cleaning the Post Motor Filter

**NOTE:** This is located at the rear of the vacuum cleaner.

Release the post-motor cover by pressing in the catch at the top of the cover.

Remove the filter by pulling the filter away from the cover. (Fig.6/8).

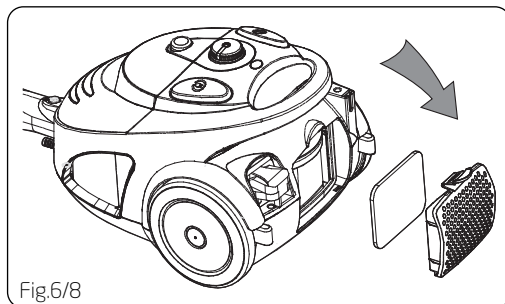


Fig.6/8

The post motor filter can be rinsed in warm water (max 40°C). Allow to air dry for at least 24 hours before replacing.

**NOTE:** Do not use any detergents or boiling water to wash the filter. Vax recommends washing the filter every 4 weeks).

Replace the post motor filter in the case and re-fit to the back of the vacuum cleaner.

## 7. Clearing Blockages

**! WARNING:** To reduce the risk of electric shock, the power cord must be disconnected before performing maintenance or troubleshooting checks.

Turn the vacuum cleaner off and unplug from the electrical outlet.

The flexible hose and stretch hose can be disconnected from the vacuum cleaner by pushing in the button on the hose and pulling away from the machine. Remove any blockages found then re-connect the hose securely.

### Removing debris from the TurboTool (Model V-112P, V112A only)

Switch the vacuum cleaner off and disconnect the power plug from the electrical outlet.

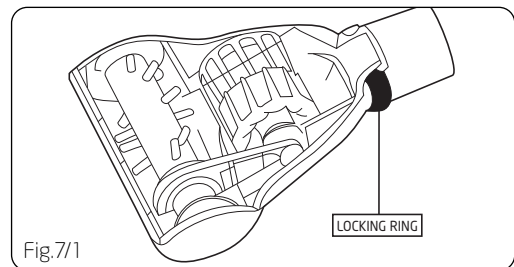


Fig.7/1 Rotate the locking ring 180° (Fig.7/1).

Lift the top cover off and remove any blockage (Fig.7/2).

To re-assemble, ensure that the tabs are engage. Pivot the lower housing closed and rotate the locking ring 180°

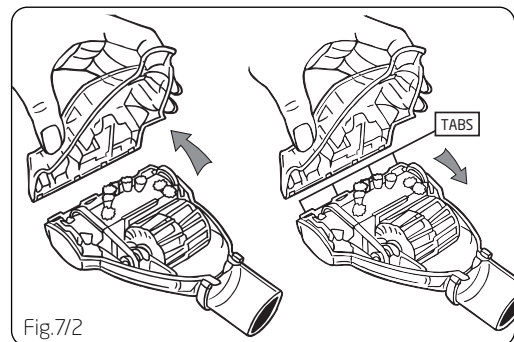


Fig.7/2 (Fig.7/2).

### Removing debris from the TurboBrush (Model V-112P only)

The brushbar will stop rotating if it is blocked during operation by vacuuming up foreign objects, or if strands of carpet are wrapped around it.

Switch the vacuum cleaner off and disconnect the power plug from the electrical outlet.

Lay the TurboBrush floor head on a flat surface and turn over to expose the brushbar. Using a pair of scissors, cut through any threads or hairs caught by the brushbar that have wrapped around the guides (Fig.7/3).

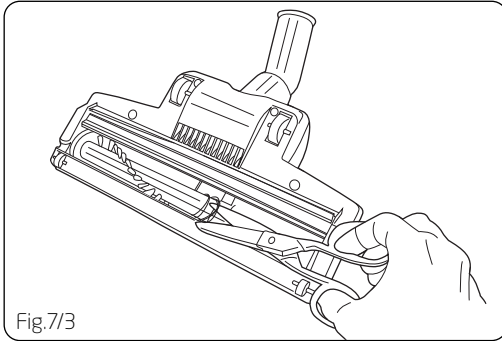


Fig.7/3

**NOTE:** The brushbar will also stop rotating if the central filter is clogged.

## 8. Storage

**!** **IMPORTANT:** Always unplug the vacuum cleaner from the electrical outlet and rewind the power cord as directed before storing.

**NOTE:** Always store the vacuum cleaner base down.

## 9. Troubleshooting



**WARNING:** To reduce the risk of personal injury, unplug the vacuum cleaner before performing maintenance or troubleshooting checks.

### **PROBLEM: Vacuum cleaner won't run**

**Cause:** Not properly plugged into electrical outlet.

**Solution:** Plug in securely.

**Cause:** No electricity in the electrical outlet.

**Solution:** Check fuse or breaker.

**Cause:** On/off switch not turned on.

**Solution:** Push on/off switch to 'on'.

**Cause:** Motor thermostat has tripped.

**Solution:** Switch off and unplug the vacuum cleaner. Leave for one (1) hour before switching the vacuum cleaner back on.

**Cause:** Blown fuse/tripped breaker.

**Solution:** Reset circuit breaker or replace fuse.

### **PROBLEM: Cleaner won't pick up/loss of suction.**

**Cause:** Dirt container not installed properly.

**Solution:** Review dirt container replacement.

**Cause:** Dirt container full or blocked.

**Solution:** Empty dirt container.

**Cause:** Clogged filters.

**Solution:** Remove, clean and replace filters.

### **PROBLEM: Accessories won't pick up.**

**Cause:** Accessories are not attached correctly.

**Solution:** Refer to section 5.

**Cause:** TurboBrush / TurboTool (Model: V-112P, V112A only) is clogged.

**Solution:** Refer to section 7.

**Cause:** Hose / Stretch Hose (Model: V-112P only) is not installed correctly.

**Solution:** Refer to section 7.

### **PROBLEM: Dust escaping from the vacuum cleaner.**

**Cause:** Dirt container full.

**Solution:** Empty dirt container.

**Cause:** Dirt container not installed correctly.

**Solution:** Review dirt container replacement.

**Cause:** Hose / Stretch Hose (Model: V-112P only) is not installed correctly.

**Solution:** Review installation.

**Cause:** Filter not installed completely.

**Solution:** Remove, clean and replace filters.

[www.vax.co.uk](http://www.vax.co.uk)

## 10. UK Service & Help

### Vax Care 0870 6061248

Monday-Friday 8.00am to 8.00pm  
Saturday-Sunday 9.00am to 5.00pm

Any queries or concerns about using the Vax, call the Vax Careline. Calls are charged at the UK national rate.

Please make a note of the serial number and model number of the carpet cleaner before calling. There are over 400 approved Vax Service Agents in the UK. For the nearest Service Agent, please call the Vax Careline.

[www.vax.co.uk](http://www.vax.co.uk)

## 11. Technical Specification

|              |  |
|--------------|--|
| Voltage:     | 220-240V ~50Hz   |
| Wattage:     | 2000W  |
| Capacity:    | 1.9 litres approx  |
| Filters:     | Central filter - wipe clean<br>Pre-motor filter - washable<br>Post-motor filter - washable |
| Cord length: | 4.3m approx  |
| Weight:      | 5.6kg  |

Subject to technical change without notice.



This page has been left intentionally blank



### EEC STATEMENT OF COMPLIANCE

Manufacturer/EEC importer: Vax Limited, hereby on our own responsibility, declare that the V-112, V-112T, V-112P G:3 Range is manufactured in compliance with the following Directives:

**Safety:** 2006/95/EC Low Voltage Directive  
**EMC:** 2004/108/EC Electromagnetic Compatibility Directive



Waste electrical products should not be disposed of with household waste. Please recycle where facilities exist. Check with your Local Authority or retailer for recycling advice.

Vax Ltd., Kingswood Road, Hampton Lovett, Droitwich, Worcestershire, WR9 0QH, UK  
email: [info@vax.co.uk](mailto:info@vax.co.uk) - website: [www.vax.co.uk](http://www.vax.co.uk)