

Easy Guide 6135



Please read carefully before using the vacuum cleaner. Always fully extend the mains cable before use.

UK SERVICE & HELP - Vax CARE 0870 6061248

Mon-Fri. 9.00am to 5.00pm. An answer phone is available out of these hours. If you have queries or concerns about using your Vax, call the HELPLINE. Calls are charged at the UK national rate. Please make a note of the serial number and model number of your Vax before calling. There are over 400 approved Vax Service Agents in the UK. For your nearest Service Agent please call Vax Care.

EEC STATEMENT OF COMPLIANCE

Manufacturer/EEC importer: Vax Limited, hereby on our own responsibility, declare that the product 6135 Car Vax is manufactured in compliance with the following:
Safety: 73/23/EEC Low Voltage Directive, as modified by 93/68/EEC
EMC: 89/336/EEC Electromagnetic Compatibility Directive, as modified by 93/68/EEC

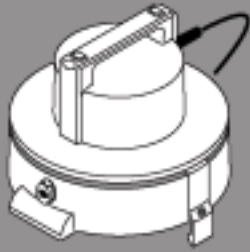


Waste electrical products should not be disposed of with household waste. Please recycle where facilities exist. Check with your Local Authority or retailer for recycling advice.

Vax Ltd., Kingswood Road, Hampton Lovett, Droitwich, Worcestershire WR9 0QH, UK
email: enquiry@vax.co.uk - website: www.vax.co.uk
Version 1

2

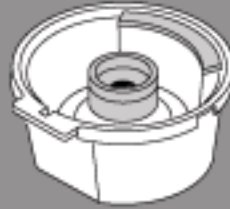
Motor unit



Cone filter unit



Clean water bucket



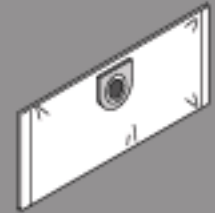
Dirty water bucket



AAA 750ml Carpet Cleaner



Dust bag



Upholstery/Stair Vacuuming Tool



Crevice tool



Dusting brush



Hose and hand grip

3



Carpet Washer



Dry Vacuuming Head



Turbo Tool™



Upholstery Wash Tool



Extension Tubes

Water Delivery Tube



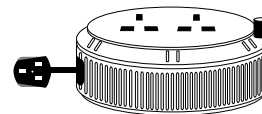
Extra Long Crevice Tool



Dashboard Wipes



Upholstery Wipes



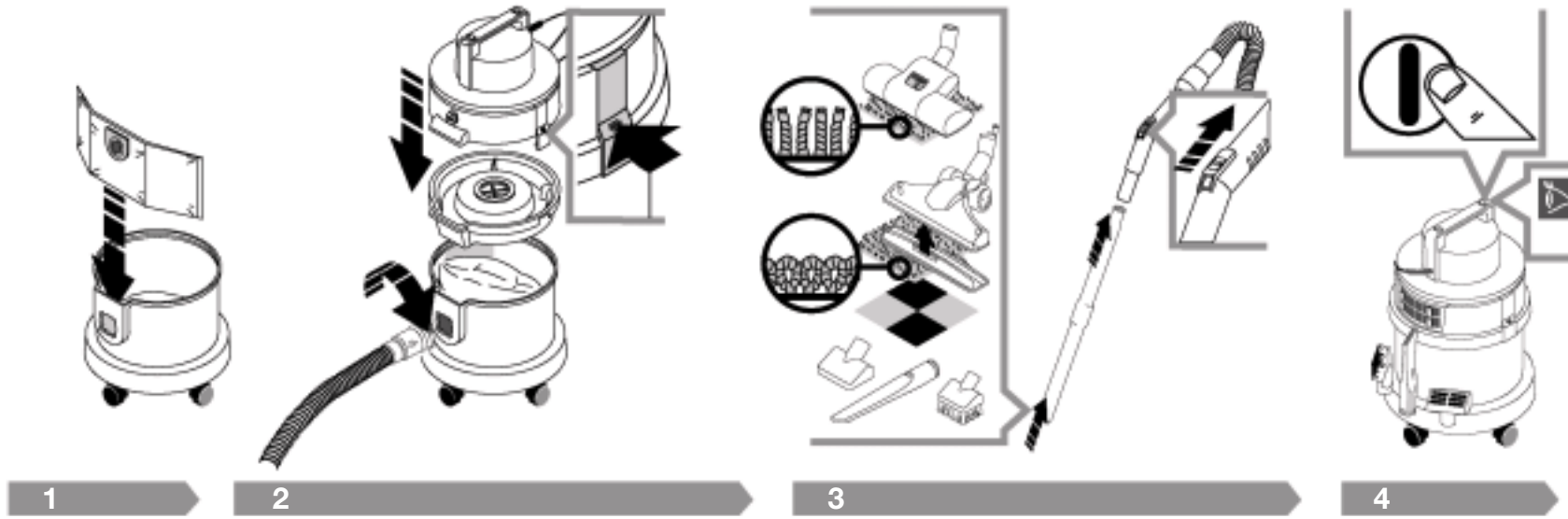
Extension Reel



Vax Air Freshener

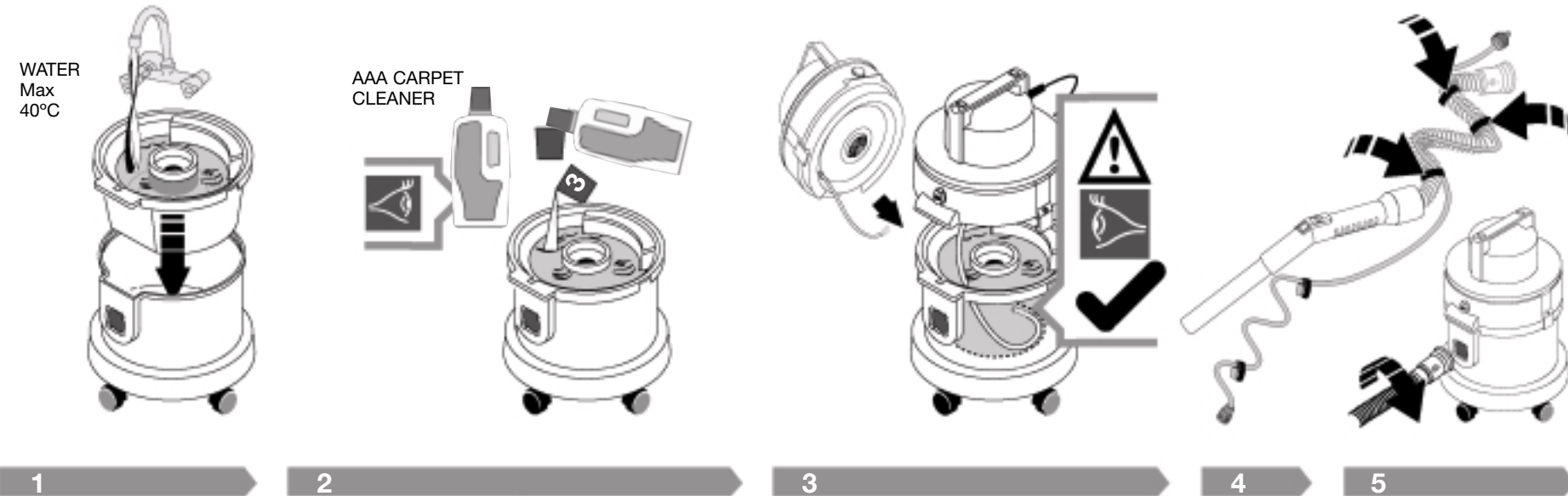
STEPS FOR EASY VACUUMING

4



GETTING READY TO WASH

5



GETTING READY TO WASH

6



6



7



8

WASHING CARPETS

7



1

WASHING



2

DRYING



3

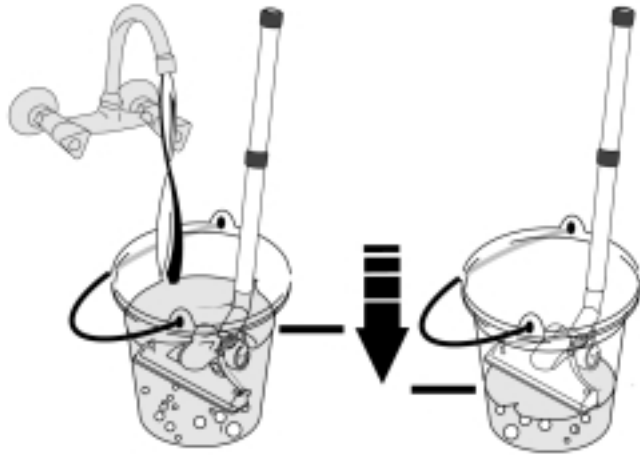


4

CLEANING UP AFTER USE

TO KEEP THE PUMP IN YOUR VAX IN GOOD CONDITION, WE RECOMMEND YOU FLUSH CLEAN WATER (WITH NO SOLUTION) THROUGH IT AFTER WASHING.

8



1



Ensure motor has stopped BEFORE opening



2



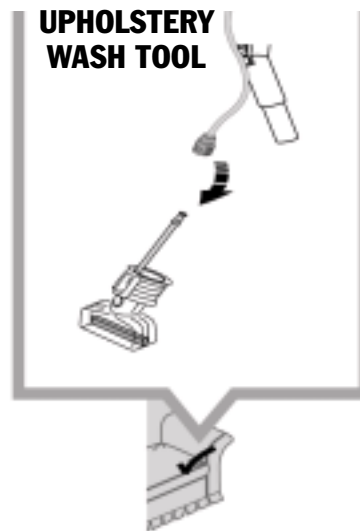
3

USING THE CAR KIT

9



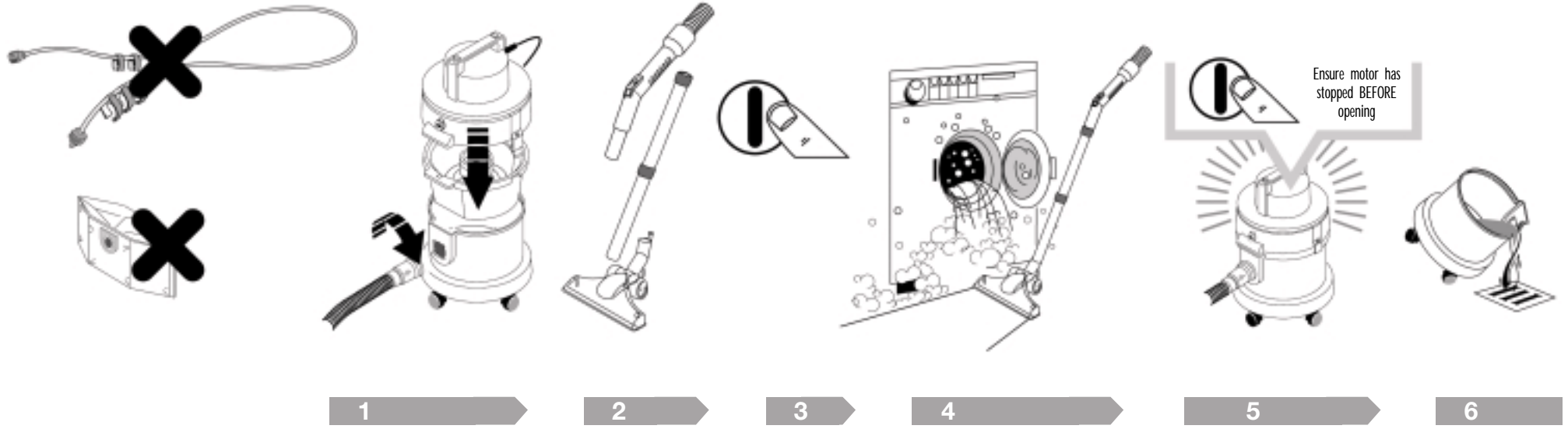
TURBO TOOL



UPHOLSTERY WASH TOOL

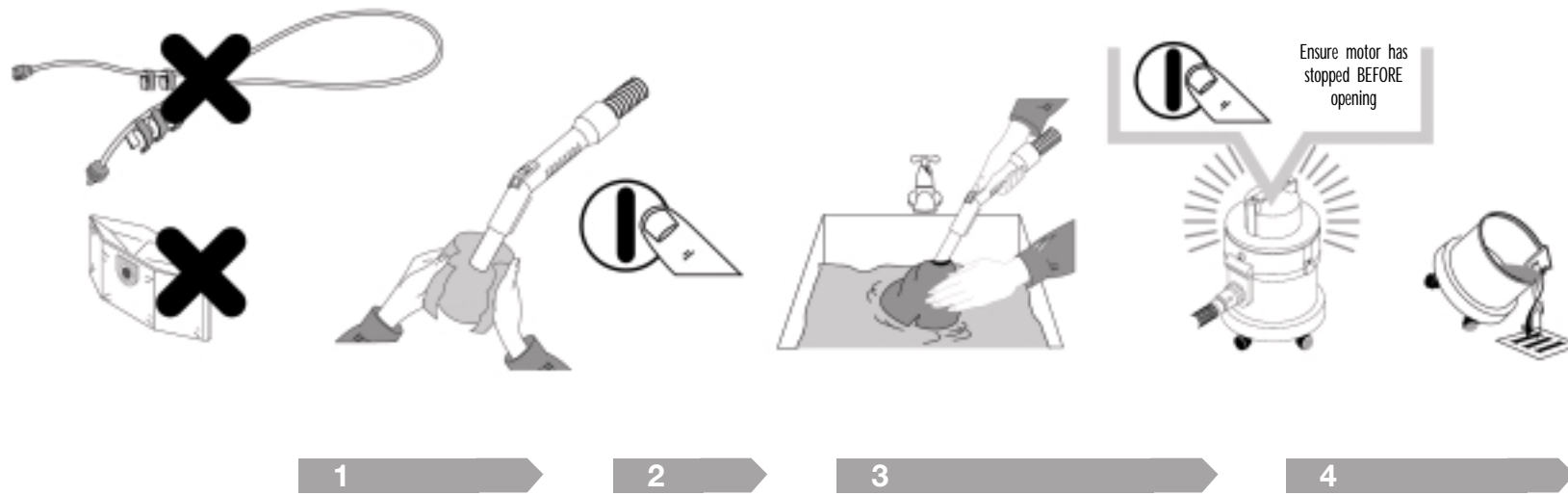
SUCKING UP LARGE SPILLS

10



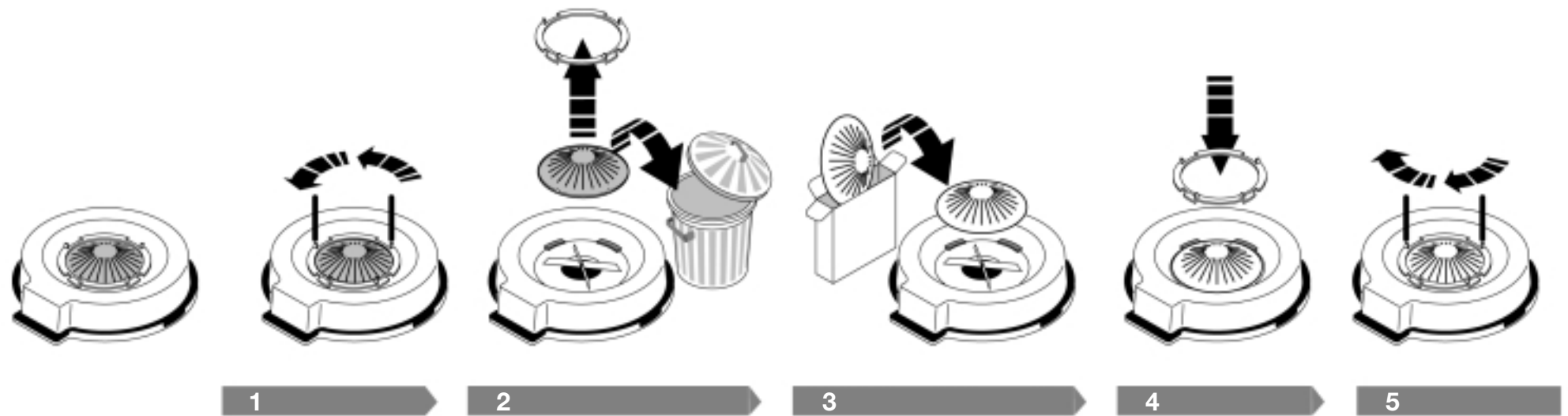
UNBLOCKING SINKS

11



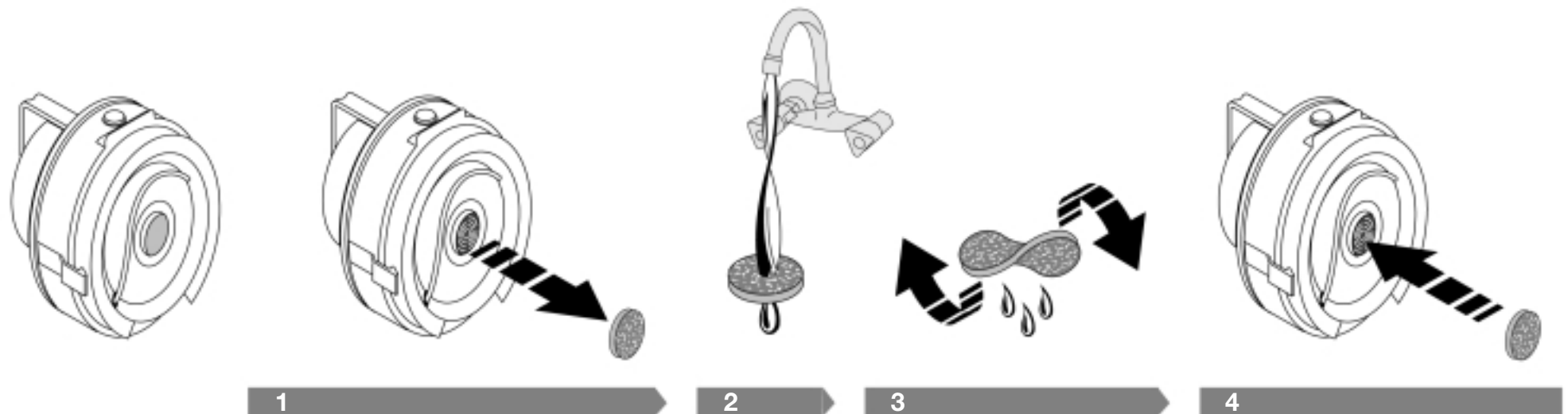
REPLACE THE CONE FILTER REGULARLY

12



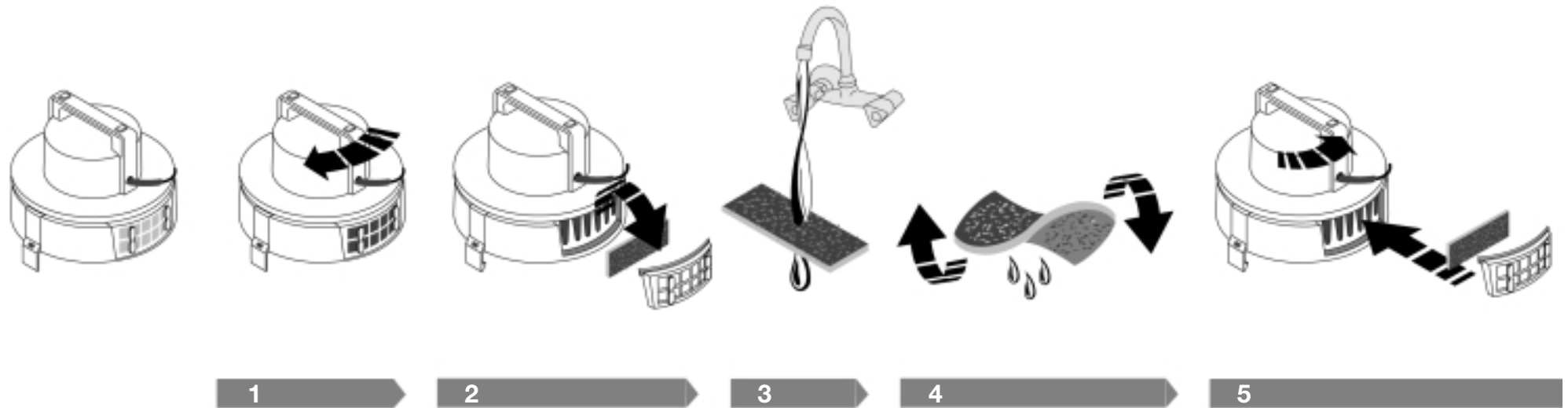
WASH OUT THE BLUE FILTER REGULARLY AND REPLACE OCCASIONALLY

13



WASH OUT THE BLACK FILTER REGULARLY AND REPLACE OCCASIONALLY

14



SAFETY INFORMATION

IMPORTANT SAFETY INFORMATION

THIS 'EASY GUIDE' SHOULD BE READ COMPLETELY AND REFERRED TO AT ALL TIMES BEFORE USING YOUR Vax

This 'easy guide' should be retained with your Vax for future reference. If your Vax is sold or transferred to a new owner, this guide should be passed on so that the new owner can become acquainted with the machine and this information. The following information is provided in the interest of safety. Please read it before using your Vax.

DO'S

- Ensure the mains cable is fully unwound and straightened before use.
- Ensure the mains cable is kept well away from the revolving brushes (where fitted) of your Vax, when it is turned on and running.
- Keep the mains cable away from heat, oil, sharp edges and rough surfaces and avoid damage in any other way.
- Exercise extreme care when cleaning stair carpets. Ensure that your Vax is in a stable position at either the top or bottom of the stairs without over-stretching the hose or cable.
- When cleaning the stair treads, always keep a hand firmly on your Vax.
- Follow the instructions in this user guide when fitting and changing accessories or tools.
- Remove the plug from the wall socket before carrying out any maintenance specified in this guide.
- Change dust bags and filters at regular intervals as specified in this guide.

- Store your Vax in a dry place.
- Have your Vax serviced by an authorised Vax Service Agent only using genuine Vax spare parts.

DON'TS

- Never allow children to tamper or play with your Vax.
- Avoid dragging your Vax by the mains cable.
- Never tug at the mains cable to remove the plug from the wall socket.
- Never allow the complete coiled mains cable to drop on the floor as this may result in kinks or knots occurring in the cable, causing premature failure.
- Don't let anyone touch the rotating brush bar (where fitted) unless your Vax is disconnected from the mains.
- Never use your Vax in the presence of flammable gases.
- Avoid sucking up hot items, hazardous liquids or any other material which could damage your Vax.
- Never leave your Vax running unattended.
- Never use your Vax without a dust bag except when washing or sucking up spills.
- If your Vax fails to operate, never attempt to repair it yourself as repairs carried out by an unauthorised or inexperienced person may cause injury to you or damage to your Vax. Never alter the specification or modify your Vax in any way.

WARNING: THIS APPLIANCE MUST NOT BE EARTHED

IMPORTANT: When carrying out any maintenance or cleaning operations on this product, it is essential that the plug is removed from the wall socket. In the interests of product improvement, the Company reserve the right to introduce modifications or alterations without notice.

TROUBLESHOOTING

IF YOUR Vax DOES NOT SUCK UP PROPERLY :

- Check to see if the dust bag is full.
- Ensure there are no blockages in the hose.
- Clean/change the filters.

IF YOUR Vax DOES NOT WASH PROPERLY:

- Check to see if the Dirty water bucket is full. If it is, empty it..
- Make sure the solution tube is at the bottom of the water/washing solution..
- Ensure that the Tube connector on the end of the hose is fitted properly.

TIPS

- As your Vax is very powerful, you may find that the dust bag fills up quickly the first time that you use your VAX.
- WHEN WASHING CARPETS OR UPHOLSTERY, ALWAYS TEST FOR COLOUR FASTNESS, WITH SOME UNDILUTED CLEANER ON A HIDDEN AREA .
- When washing deep pile carpets, move the washing tool in the same direction as the pile lays.
- Start from the furthest corner of the room and work backwards towards the door.

- If you are washing very dirty carpets, you may have to wash them several times over a period of time to bring the dirt to the surface.
- Metal or wooden furniture legs may mark a wet carpet, wait until the carpet is dry before replacing furniture or cover legs with aluminium foil.
- Don't allow children or animals onto your carpet until it has had time to dry.
- To keep your pump in good working order we recommend you flush your Vax through with water only (no solution) after washing.
- Switch the pump on occasionally (once per month) for 5 seconds to keep it in good working order, for when you next wash your carpets.

15

VAX ACCESSORIES

Vax HARD FLOOR WASHER

This patented cleaning head scrubs, washes and dries hard floors instantly, using a continuous flow of clean water. Suitable for vinyl, ceramics, terrazzos, quarry tiles, sealed wood and most other hard floor surfaces.

Vax TurboTool

The brushbar inside the TurboTool rotates at high speed dislodging trapped dust from within carpet pile, leaving a grooming effect. Ideal for pet hairs.

ALL Vax CARPET CARE PRODUCTS HAVE BEEN INDEPENDENTLY TESTED AND APPROVED AS SAFE FOR USE ON WOOL/ WOOL RICH AND MAN MADE CARPETS.

Vax EXTENSION CABLE

If using an extension cable always ensure that the insulation sheath is in good condition and is not damaged in any way. Make sure that the plug and socket are fitted to the extension cable correctly, if in doubt have it checked by a qualified electrician. Always use the extension cable in accordance with the manufacturer's instructions.

VAX CLEANING CONSUMABLES

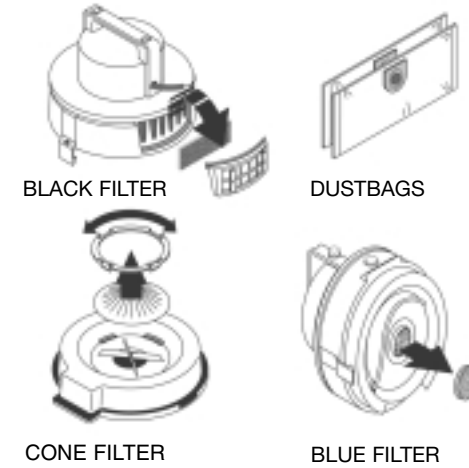
Vax AAA CARPET CLEANER VARIANTS

Specially formulated for use with your Vax its colour care formulation will keep colours true, whilst gently lifting out deep down dirt quickly and efficiently. The anti-resoiling system ensures carpets stay clean longer and the unique fragrance will leave them smelling fresh.

Vax DASHBOARD AND UPHOLSTERY WIPES

To remove wipes from the container, remove cap from container and lift lid. Feed the corner of the sheet through the opening in the centre of the lid. Replace cap and pull wipe through. To separate individual wipes, pull at an angle. Always close lid after use to prevent from drying out. Remove one wipe from container. Apply wipe to the surface and agitate to spread foam over the soiled area. Wipe over the area to remove any residue. Use only as directed. Always test on an inconspicuous area before use.

CAUTION: Keep out of reach of children. In case of contact with eyes, rinse immediately with plenty of water and seek medical advice. Always dispose of used wipes responsibly, do not flush down toilets.



Vax genuine parts and consumables have been designed specifically for use in your Vax. Using genuine Vax parts will ensure ultimate performance from your Vax.



All Vax Carpet Care products have been independently tested and approved as safe for use on wool/wool-rich and man made fibre carpets.



This model is ASTA BEAB approved for safety ensuring peace of mind for the user.