

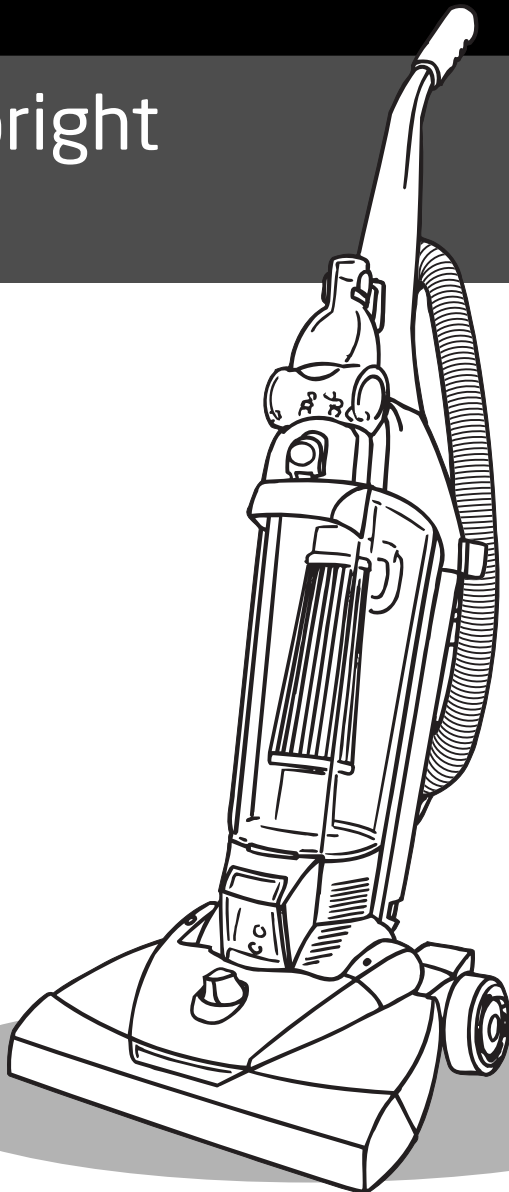


Vax careline
0870 6061248

Bagless upright

everyday
turbo

Vax model number:
V-041HS



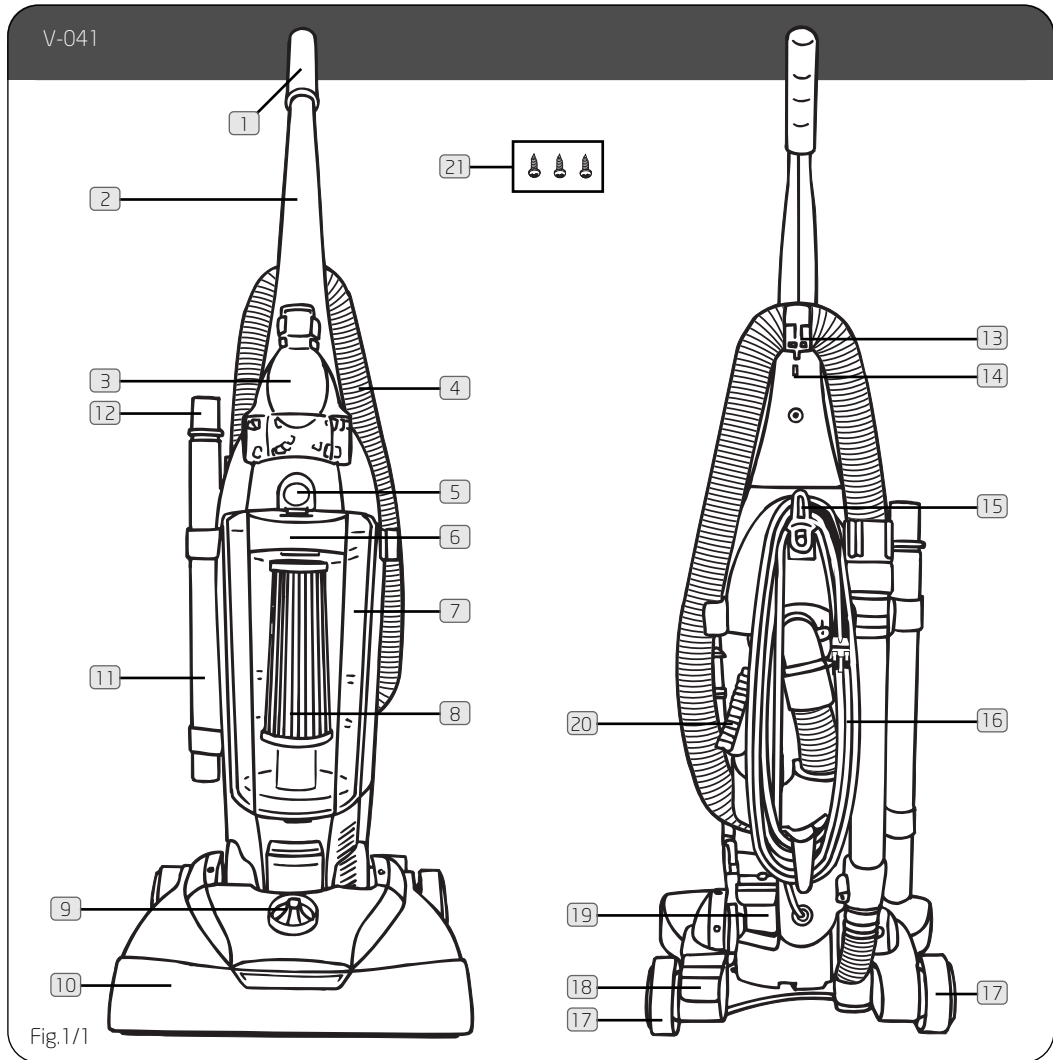
instruction manual

HEPA

www.vax.co.uk

Please read carefully before using this cleaner.
Always fully extend the mains cable before use.
Retain for future reference.

1. Diagram



- | | | |
|---------------------------------|---|---------------------------------|
| 1 Handle grip | 8 HEPA filter | 15 Cord wrap with quick release |
| 2 Handle | 9 Carpet height adjuster | 16 Long power cord |
| 3 TurboTool™ | 10 Furniture protect strip | 17 Wheels |
| 4 Flexible hose | 11 Extension tube | 18 Handle release pedal |
| 5 Dirt container release button | 12 Crevice tool (inside extension tube) | 19 On/off switch |
| 6 Carry handle | 13 Hose clip | 20 Dusting brush |
| 7 Dirt container | 14 Cord clip | 21 Three (3) screws |

2 parts overview

2. Safety Information

FOR HOUSEHOLD USE ONLY.

When using the vacuum cleaner, basic safety precautions should always be observed, including the following:

1. Only use the vacuum cleaner indoors on dry surfaces.
2. Turn off the vacuum cleaner controls before connecting to or disconnecting from the mains supply.
3. Always unplug the vacuum cleaner before connecting or disconnecting the vacuum hose.
4. Close attention is necessary when used by or near children. Do not allow children to use as a toy.
5. Use only as described in this manual. Use only the manufacturer's recommended attachments.
6. Do not use the vacuum cleaner with a damaged cord or plug. Do not use the vacuum cleaner if it has been dropped, damaged, left outdoors or dropped into water. Return the vacuum cleaner to a Vax Authorised Service Agent or suitably qualified person for examination, repair or adjustment.
Call 0870 6061248 for your nearest service centre.
7. Do not pull or carry by the cord. Do not use the cord as a handle, close a door on the cord or pull the cord around sharp edges or corners. Do not run the vacuum cleaner over the cord. Keep the cord away from heated surfaces.
8. Do not handle the plug or vacuum cleaner with wet hands. Do not use outdoors or on wet surfaces.
9. Do not put any objects into openings. Do not use with any openings blocked and do not restrict air flow. Keep all openings free of dust, lint, hair or anything that may reduce airflow.
10. Keep hair, loose clothing, fingers and all parts of the body away from openings and moving parts.
11. Do not pick up hot coals, cigarette butts, matches or any hot, smoking or burning objects.
12. Do not pick up flammable or combustible materials (lighter fluid, petrol, kerosene, etc) or use in the presence of explosive liquids or vapours.
13. Do not vacuum up harmful or toxic material (chlorine bleach, ammonia, drain cleaner, etc).
14. Do not vacuum up hard or sharp objects such as glass, nails, screws, coins, etc.
15. Do not use without the filters in place.
16. Use extra care when vacuuming on stairs.
17. Keep vacuuming area well lit.
18. Store the vacuum cleaner indoors in a cool, dry area.

19. Turn off the switch before unplugging.
20. Use only CE-approved 13 amp extension cords. Non-approved extension cords may overheat. Care should be taken to arrange the cord so that the cord cannot be pulled or tripped over.

! WARNING: Always switch off and unplug the vacuum cleaner from the electrical outlet before assembling, opening or emptying the dirt container, or before connecting/disconnecting the attachments.

! CAUTION: The vacuum cleaner is a very powerful unit. Before plugging the cord into the outlet make sure the switch is in the 'off' position. Hold the vacuum cleaner firmly when starting and in use.

! IMPORTANT: If the inlet or hose is blocked, switch off the vacuum cleaner and remove the blockage(s) before re-starting the vacuum cleaner.

! IMPORTANT: Cleaning filters improves vacuum performance. Make sure all filters are replaced back into the vacuum cleaner before using. Vax recommends cleaning the pre-motor filter every month and the exhaust filter every 9-12 months.

This vacuum cleaner is intended for household use only and not for commercial or industrial use.

PLEASE KEEP THESE INSTRUCTIONS FOR FURTHER USE.

Motor Thermostat

IMPORTANT: The motor is equipped with a thermal cut-out. If for any reason, the vacuum cleaner should over-heat, the thermostat will automatically turn the unit off. Should this occur, unplug the vacuum cleaner from the electrical outlet and turn off the switch. Remove the dirt container and empty. Clean the filters. Allow the cleaner to cool for approximately one (1) hour. To re-start, plug into an electrical outlet and switch back on.

3. How to Assemble

! **IMPORTANT:** Always remove the power plug from the wall outlet before assembling or before removing accessories.

Tool required: Phillips screwdriver

Slide the back panel on to the base (Fig.3/1).

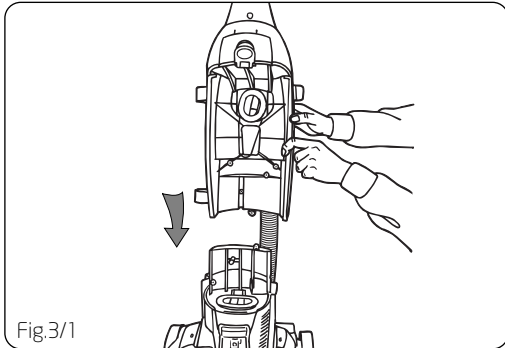


Fig.3/1

To secure, insert two (2) screws into the front of the back panel (Fig.3/2).

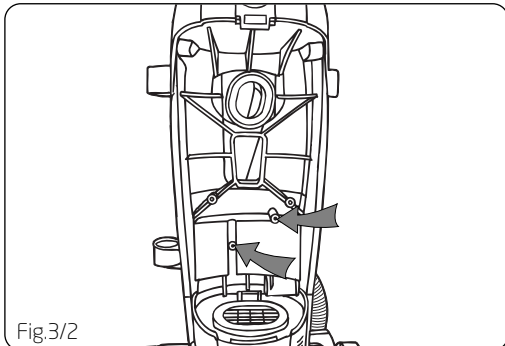


Fig.3/2

Place the upper handle on to the top of the cleaner (Fig.3/3).

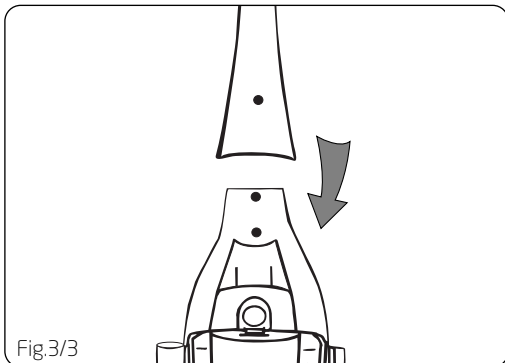


Fig.3/3

Push the handle plug on to the front of the vacuum cleaner (Fig.3/4).

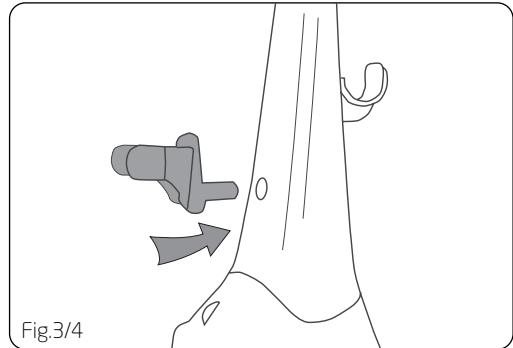


Fig.3/4

Insert one (1) screw into the back of the handle and tighten, making sure that the handle plug is secure (Fig.3/5).

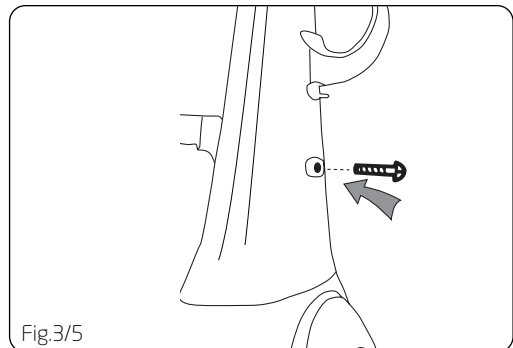


Fig.3/5

Clip the TurboTool™ on to the front of the TurboTool™ caddy (Fig.3/6).

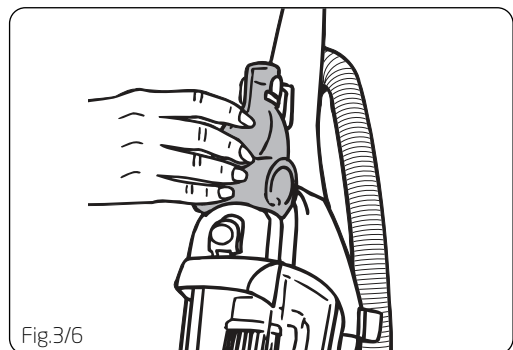
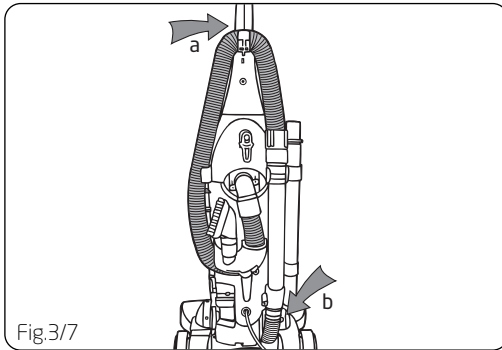
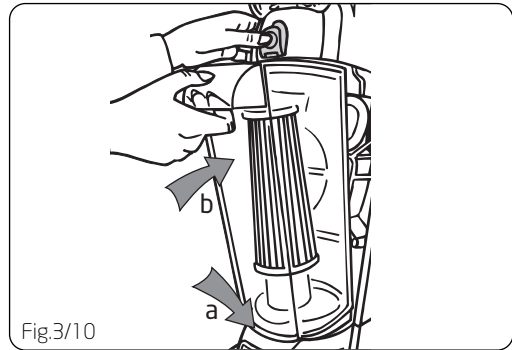


Fig.3/6

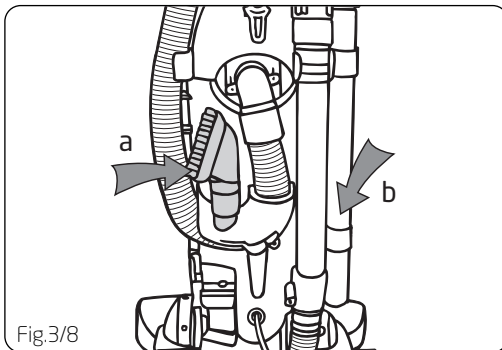
Wrap the hose around the back of the hose caddy (a). Push the hose tube down into the right side of the vacuum cleaner (b). See Fig.3/7.



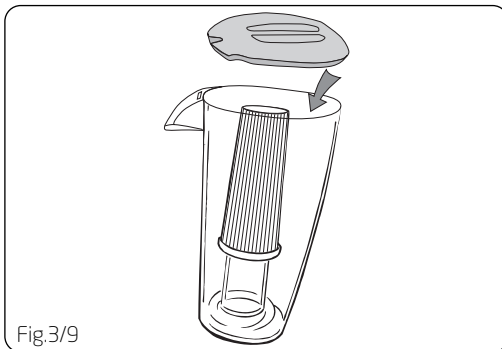
Set the aligning tab on the bottom of the dirt container (a) and push until the container clicks into place (b). See Fig.3/10.



Slide the dusting brush on to the post on the lower caddy, with its bristles facing out (a). Slide the extension tube / crevice tool in to the round slot on the front right side of the tool caddy (b). See Fig.3/8.



Align the tab on the dirt container lid with the slot on the dirt container. Push the lid down until it snaps into place (Fig.3/9).



www.vax.co.uk

4. How to Operate

Cord Release

Turn the quick cord release for easy cord removal. Insert the cord into the cord clip (see page 2, item 14). This will keep the cord out of the way while vacuuming (Fig.4/1).

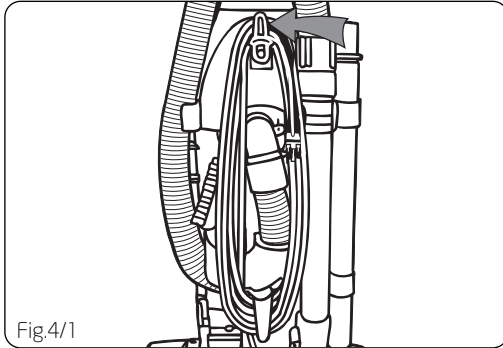


Fig.4/1

Carpet Height Adjuster

Turn the carpet height adjuster according to the surface being cleaned (Fig.4/2).

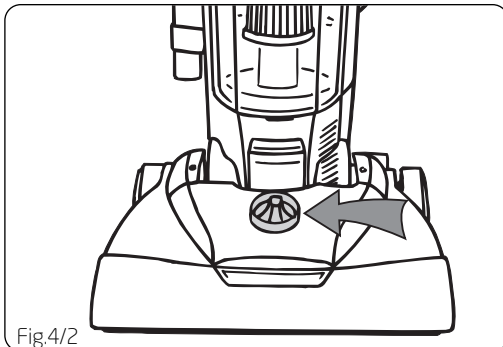


Fig.4/2

NOTE: For easier adjustment, place cleaner in upright position.

CAUTION: The brushbar continues to rotate while the hose is removed or in use, and at all times while the vacuum cleaner is on. Keep hair, loose clothing, fingers and all parts of the body away from the brush area while the vacuum cleaner is on. The vacuum cleaner must be in the upright position to lift the rotating brushbar off the carpet when using the accessories. Vax recommend that the carpet height adjuster is at its highest setting.-

On/Off Pedal

Plug the cord into the electrical outlet. Turn the cleaner on by pressing the foot pedal located on the back left side of the vacuum cleaner (Fig.4/3).

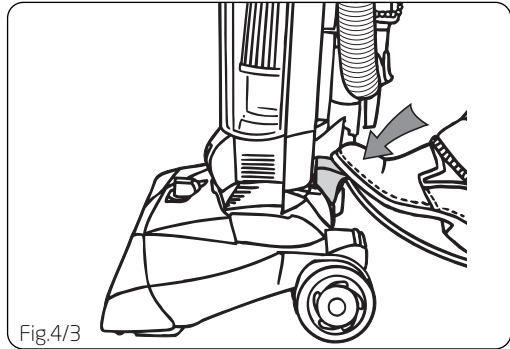


Fig.4/3

Handle Release Pedal

To release the handle, push the handle release pedal located on the lower left side of the cleaner (Fig.4/4).

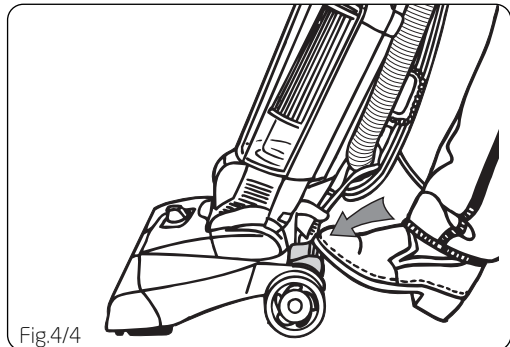


Fig.4/4

Floor/Carpet Cleaning

Move the handle and adjust it to the desired position for (a) storing the upright or (b) operating the vacuum cleaner. De-press the handle release pedal again (c) to clean under furniture (Fig.4/5).

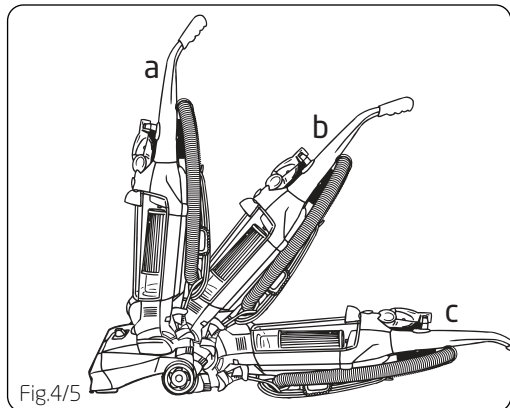


Fig.4/5

5. Accessories

The vacuum cleaner must be in the upright position to raise the brushbar (Fig.5/1).

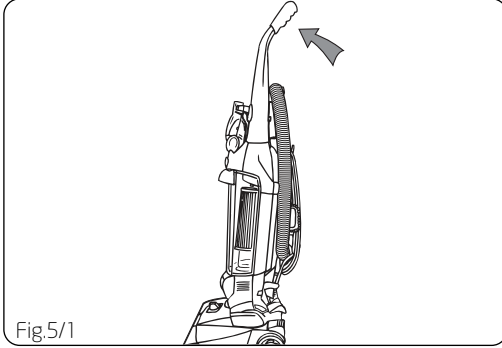


Fig.5/1

Remove the hose from the tool caddy (Fig.5/2).

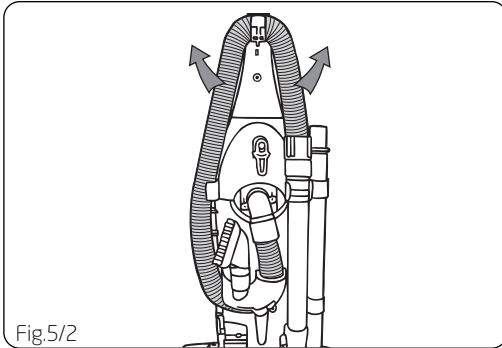


Fig.5/2

Choose any of the on-board accessories or use the hose alone. Simply push the attachment firmly on to the end of the extension tube or hose handle. To remove the tool, twist and pull apart gently (Fig.5/3).



Fig.5/3

Extension Tube

If additional length is needed, use the extension tube and/or crevice tool. Pull the crevice tool out of the extension tube. Use the extension tube and crevice tool together or separately (Fig.5/4).

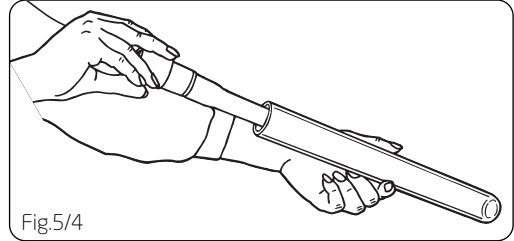


Fig.5/4

TurboTool™

The TurboTool™ fits on the end of the telescopic tubes or onto the end of the hose. Perfect for cleaning stairs and upholstery. The TurboTool™ should be pulled backwards for optimum cleaning (Fig.5/5).

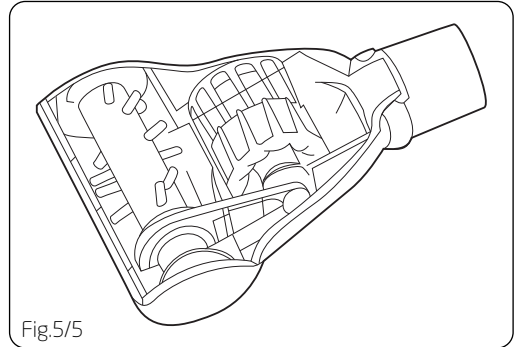


Fig.5/5

Crevice Tool

Use the crevice tool for radiators, crevices, corners, baseboards and between cushions.

Dusting Brush

The dusting brush is used for furniture, venetian blinds, books, lamps shades and shelves.

www.vax.co.uk

Carry Handle

Use the carry handle on the dirt container to move the vacuum cleaner from room to room (Fig.5/6).

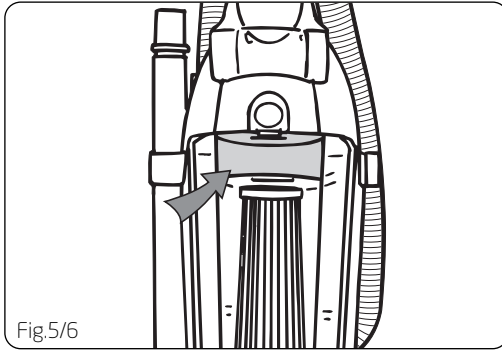


Fig.5/6

NOTE: Verify that the dirt container is secured in place **before** lifting the cleaner.

6. Dirt Container & Filter: Removal and Replacement

! WARNING: To reduce the risk of injury from moving parts, unplug before servicing.

NOTE: Unplug cleaner before changing filter.

NOTE: For best performance, replace filters annually.

Press the latch above the dirt container and remove the container from the vacuum cleaner (Fig.6/1).

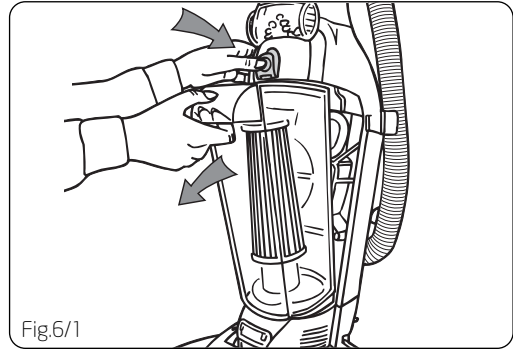


Fig.6/1

Remove the dirt container lid (Fig.6/2).

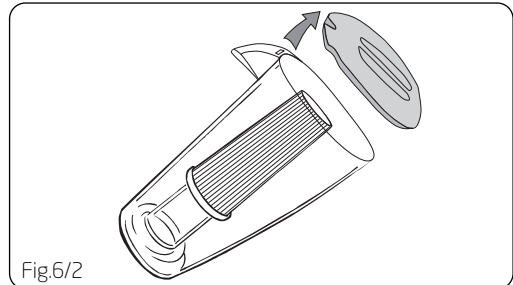


Fig.6/2

Hold the dirt container and grasp the top of the filter. Twist and pull the filter up and out (Fig.6/3).

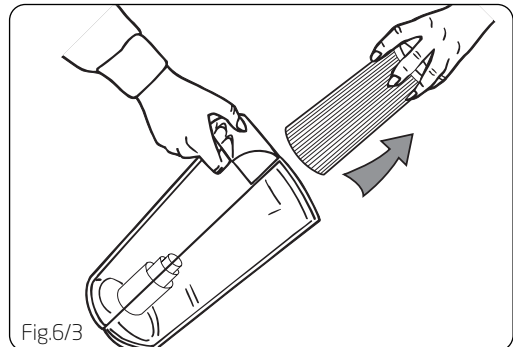


Fig.6/3

Empty the dirt container completely (Fig.6/4).

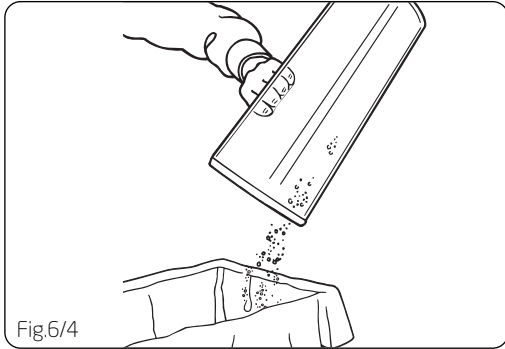


Fig.6/4

Each time the dirt container is emptied, the filter should be cleaned. Tap the filter firmly against the inside of a rubbish bin until the dirt stops falling from the filter (Fig.6/5).

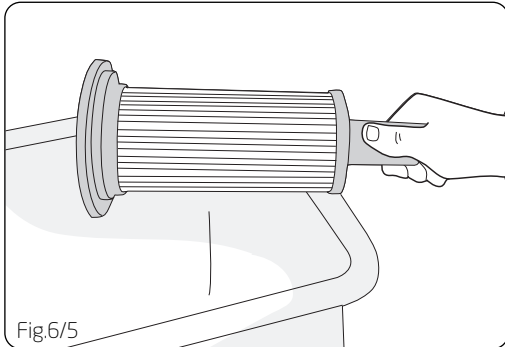


Fig.6/5

Return the filter to the dirt container. Push the filter into place to prevent dirt leakage. Return the dirt container to the cleaner (Fig.6/6).

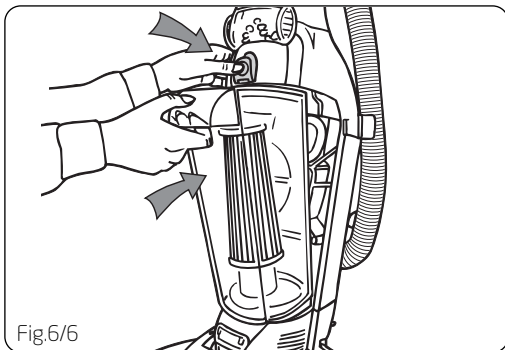


Fig.6/6

7. Rotating Brushbar: Removal and Replacement

! WARNING: To reduce the risk of injury from moving parts, unplug the cleaner before changing the belt or the rotating brushbar.

Tool required: Phillips screwdriver

NOTE: Unplug cleaner before changing filter.

NOTE: For best performance, replace filters annually.

Removing the Belt

Lay the cleaner flat and turn it over to expose the nozzle base. The base should lay flat and face upwards. To remove the nozzle guard, use a Phillips screwdriver to remove the three (3) screws. The arrows show the location of the screws (Fig.7/1).

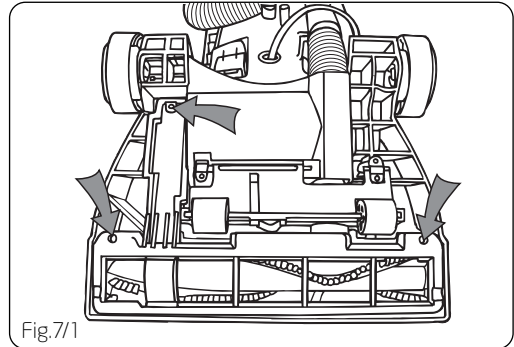


Fig.7/1

Pull and lift off the nozzle guard (Fig.7/2).

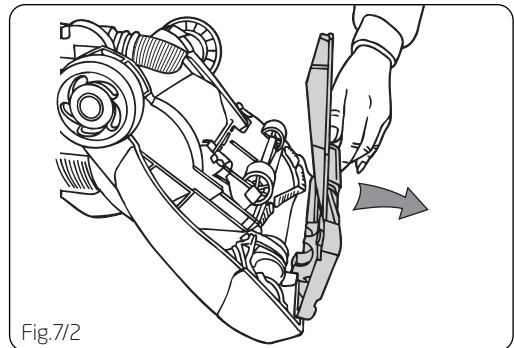


Fig.7/2

Lift and remove the brushbar. Dispose of the old belt (Fig.7/3).

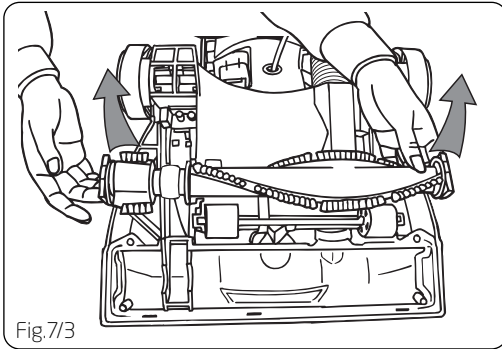


Fig.7/3

Replacing the Belt or Brushbar

Slide the belt on to the motorshaft (Fig.7/4).

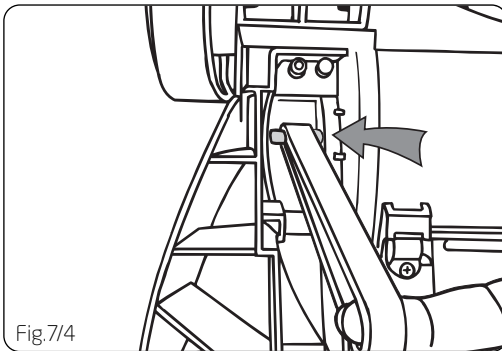


Fig.7/4

Place the new belt in the area of the brushbar without bristles (Fig.7/5).

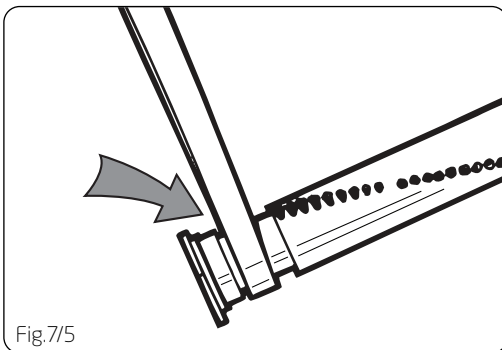


Fig.7/5

With the new belt in place, pull and slide the brushbar into the nozzle, making sure that the end caps are in the correct orientation (Fig.7/6a). Rotate the brushbar manually to make sure the belt is properly aligned (Fig.7/6).

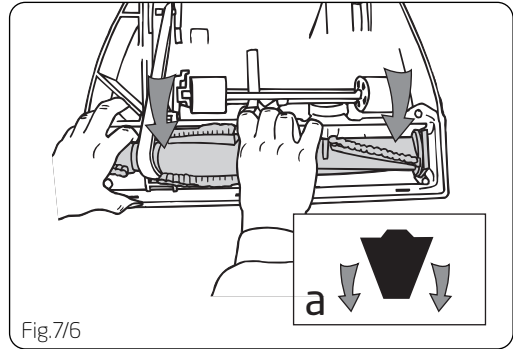


Fig.7/6

Re-attach the nozzle guard (Fig.7/7).

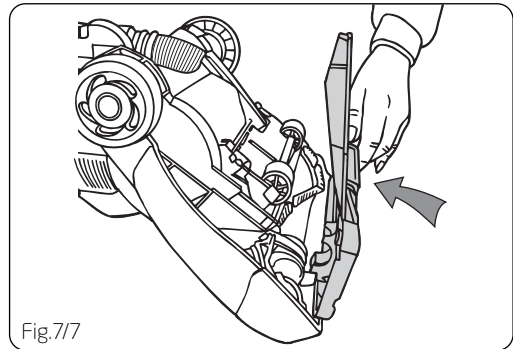


Fig.7/7

Secure by aligning the three (3) tabs in the base slots (Fig.7/8).

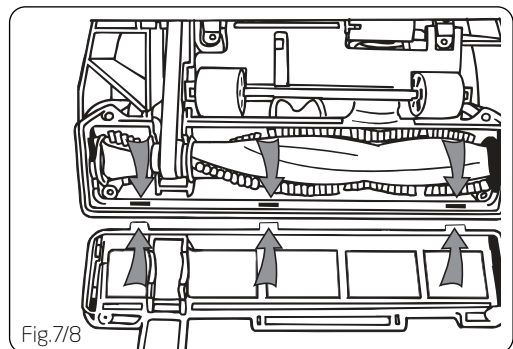


Fig.7/8

Replace all three (3) screws to secure the nozzle guard. Refer to Fig.7/1 for screw positions.

8. Clearing Blockages

⚠ WARNING: To reduce the risk of injury from moving parts, unplug the cleaner before servicing.

Unwrap the hose from the caddy. Remove any obstruction (Fig.8/1).

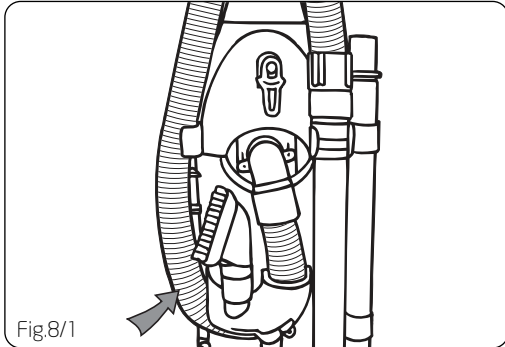


Fig.8/1

Remove the dirt container and check the dirt container inlet located on the cleaner (Fig.8/2).

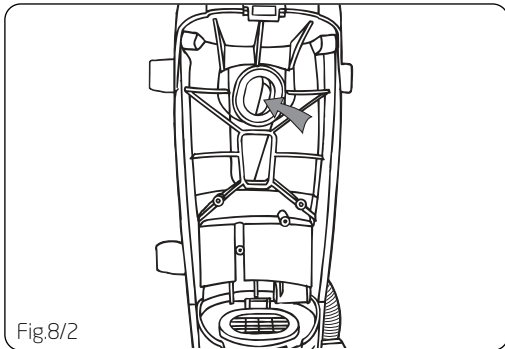


Fig.8/2

Remove the nozzle guard by removing the three (3) screws. Remove any obstructions (Fig.8/3).

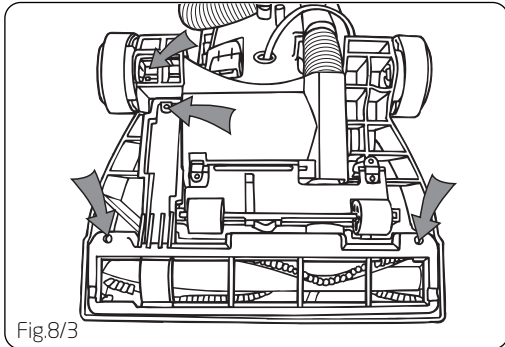


Fig.8/3

Clearing Blockages from the TurboTool™

Rotate the locking ring 180° and turn the TurboTool™ over (Fig.8/4).

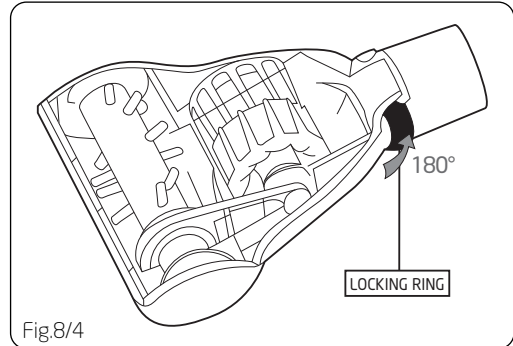


Fig.8/4

Lift the cover off the TurboTool™ and remove the blockage (Fig.8/5).

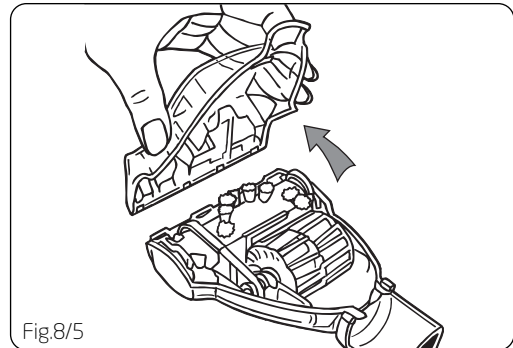


Fig.8/5

To re-assemble, ensure that the tabs are engaged (Fig.8/6). Pivot the lower housing closed and rotate the locking ring 180° to secure.

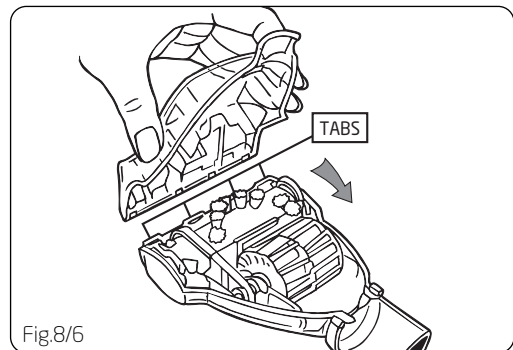


Fig.8/6

8. Troubleshooting

⚠ WARNING: To reduce the risk of personal injury, unplug the vacuum cleaner before performing maintenance or troubleshooting checks.

PROBLEM: Vacuum cleaner won't run

Cause: Not properly plugged into wall outlet.

Solution: Plug unit in firmly.

Cause: No electricity in wall outlet.

Solution: Check fuse or circuit breaker.

Cause: On/off switch not turned on.

Solution: Push on/off switch to the 'on' position.

Cause: Motor thermostat has tripped.

Solution: Switch off and unplug cleaner. Leave for 1 hour before switching the cleaner back on.

Cause: Blown fuse or tripped circuit breaker.

Solution: Reset circuit breaker or replace fuse.

PROBLEM: Cleaner won't pick up/loss of suction

Cause: Dirt container full or blocked.

Solution: Empty dirt container.

Cause: Wrong pile height setting.

Solution: Adjust carpet height setting.

Cause: Clogged nozzle.

Solution: Remove obstruction.

Cause: Clogged dirt inlet.

Solution: Remove power head cover and remove obstruction.

Cause: Clogged hose.

Solution: Remove obstruction.

Cause: Broken belt.

Solution: Replace belt.

Cause: Hose not fully inserted.

Solution: Push hose in securely.

Cause: Dirty filters or debris screen.

Solution: Clean/change filters or debris screen.

PROBLEM: Accessories won't pick up

Cause: Accessories not attached correctly.

Solution: Refer to pages 7-8 for fitting information.

PROBLEM: Cleaner picks up moveable rugs or pushes too hard

Cause: Wrong carpet height setting.

Solution: Adjust carpet height setting. Refer to page 6.

PROBLEM: Brushbar does not turn

Cause: Broken belt.

Solution: Replacement belt.

Cause: Belt installed incorrectly.

Solution: Review belt fitting and brushbar cleaning instructions on pages 9-10.

PROBLEM: Air flow restricted with attachment use

Cause: Attachment use restricts air flow.

Solution: Check attachment.

Cause: New carpet debris clogging air path.

Solution: Remove obstruction. See page 11.

9. UK Service & Help

Vax Care 0870 6061248

Monday-Friday 9.00am to 5.00pm.

An answerphone is available outside of these hours. Any queries or concerns about using the Vax, call the Vax Careline. Calls are charged at the UK national rate.

Please make a note of the serial number and model number of the carpet cleaner before calling. There are over 400 approved Vax Service Agents in the UK. For the nearest Service Agent, please call the Vax Careline.

www.vax.co.uk

10. Technical Specification

Voltage:	220-240V ~50Hz
Wattage:	1900W
Capacity:	3.3L max
Filters:	Fibre pre-motor and pleated paper HEPA filter
Cord length:	9.3m
Weight:	9.0kg

Subject to technical change without notice.



www.vax.co.uk

This page has been left intentionally blank

This page has been left intentionally blank



EEC STATEMENT OF COMPLIANCE

Manufacturer/EEC importer: Vax Limited, hereby on our own responsibility, declare that the V-041HS Everyday Turbo is manufactured in compliance with the following Directives:

Safety: 73/23/EEC Low Voltage Directive

EMC: 89/336/EEC Electromagnetic Compatibility Directive



Waste electrical products should not be disposed of with household waste. Please recycle where facilities exist. Check with your Local Authority or retailer for recycling advice.

Vax Ltd., Kingswood Road, Hampton Lovett, Droitwich, Worcestershire, WR9 0QH, UK
email: info@vax.co.uk - website: www.vax.co.uk