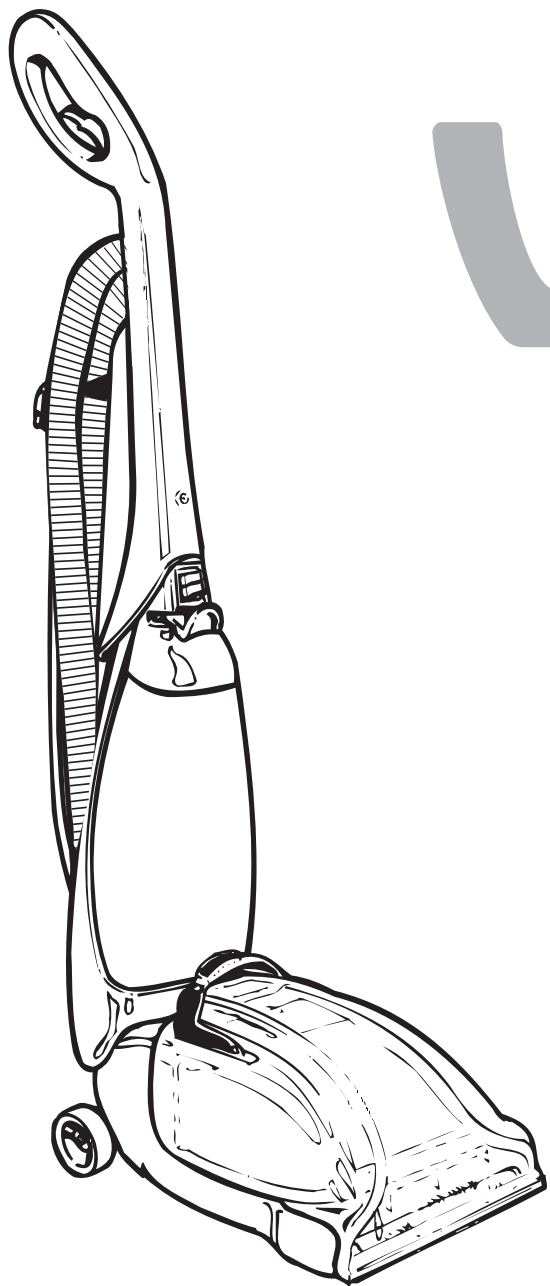


**VAX Ltd, Kingswood Road, Hampton Lovett, Droitwich, Worcestershire, WR9 0QH, UK.  
email: enquiry@vax.co.uk - website: www.vax.co.uk  
Version 1**

**ECC STATEMENT OF COMPLIANCE**  
Manufacturer/ECC importer: VAX Limited, hereby on our own responsibility declare that the product: Rapide is manufactured in compliance with the following:  
**Safety:** 72/23/ECC Low Voltage Directive as modified by 93/68/ECC  
**EMC:** 89/336/ECC Electromagnetic compatibility Directive as modified by 93/68/ECC



**vax**®

**Easy Guide**

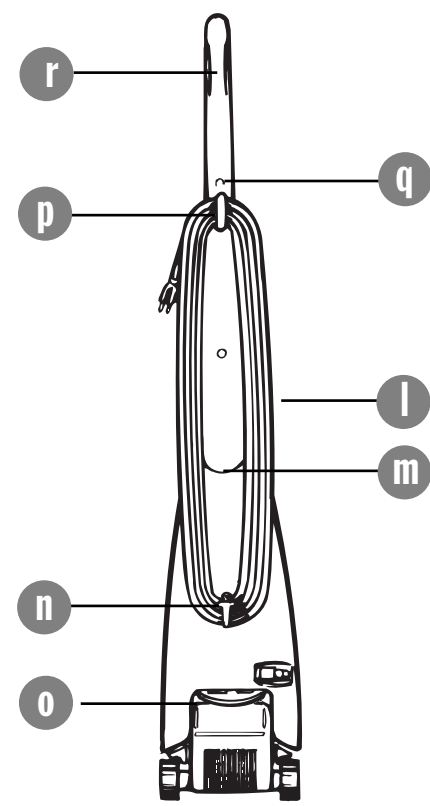
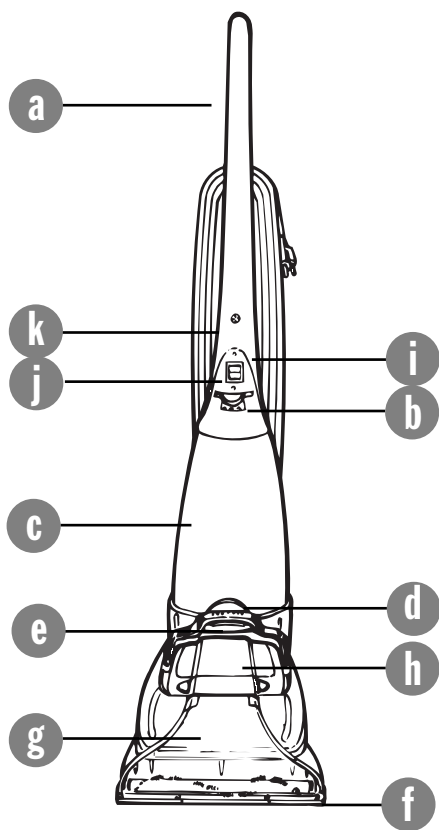
**Rapide**  
carpet washer

**UK SERVICE & HELP - VAX CARE 0870 6061248**

Mon-Fri. 9.00am to 5.00pm. An answer phone is available out of these hours. If you have queries or concerns about using your VAX, call the HELPLINE. Calls are charged at the UK national rate. Please make a note of the serial number and model number of your VAX before calling. There are over 400 approved VAX Service Agents in the UK. For your nearest Service Agent please call VAX Care.

## Parts checklist

2

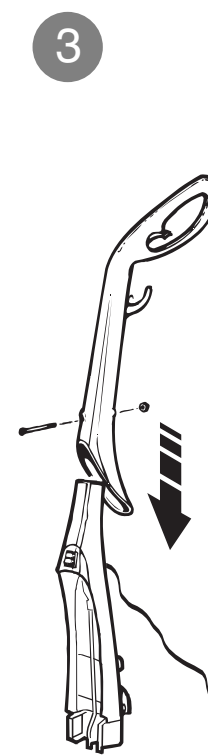
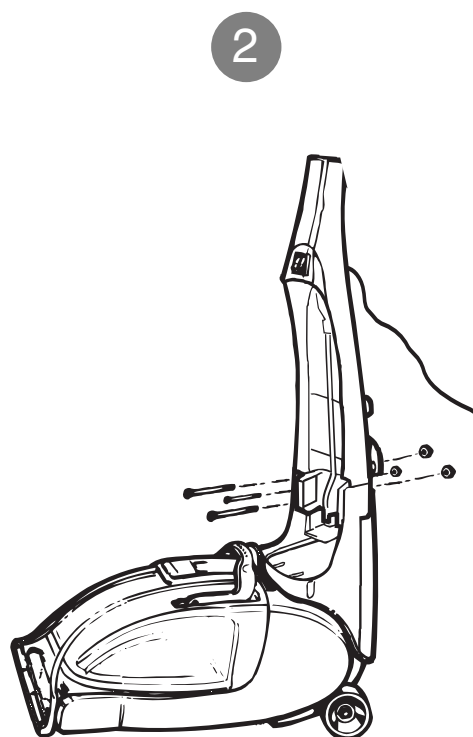
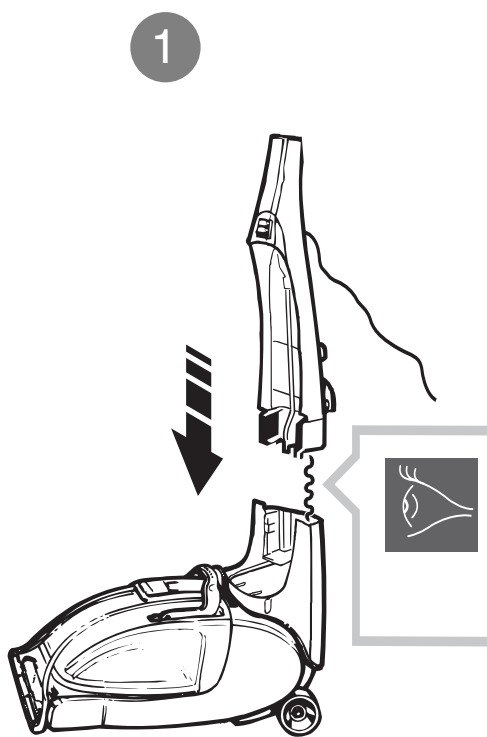


- |   |                                |   |                          |
|---|--------------------------------|---|--------------------------|
| a | Handle                         | j | Vacuum on/ off switch    |
| b | Clean solution reservoir latch | k | Handle screw             |
| c | Clean solution reservoir       | l | Power cord               |
| d | Dirty water tank latch         | m | Carrying handle          |
| e | Dirty water tank handle        | n | Quick cord release       |
| f | Brush roll                     | o | Handle release pedal     |
| g | Dirty water tank               | p | Cord hook                |
| h | Dirty water tank lid           | q | Cord clip                |
| i | Brush roll on/off switch       | r | Solution release trigger |

## Putting your cleaner together

Phillips screwdriver required

3

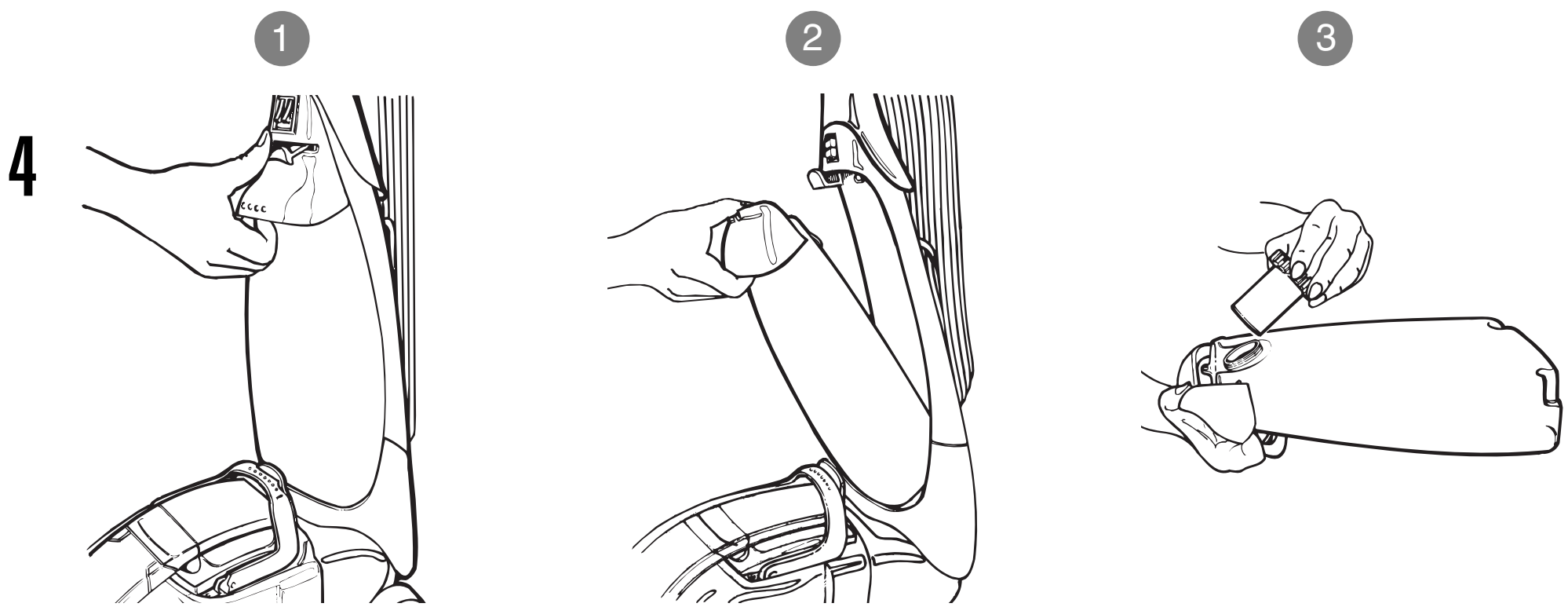


Stand the base in the upright position. Assemble the mid section onto the base, taking care not to trap internal mains wire.

Insert the three nuts into the recesses located on the left and right sides of the base and into the recess located in the middle of the back of the base. While holding the nuts in place insert screws through the front of the mid section and tighten.

Slide the upper handle down onto the unit. Insert nut into the recess in the back of the upper handle. While holding the nut in place insert the screw through the front of the upper handle and tighten. Run the mains wire above the upper cord hook and secure with the cord clip.

## How to operate your cleaner



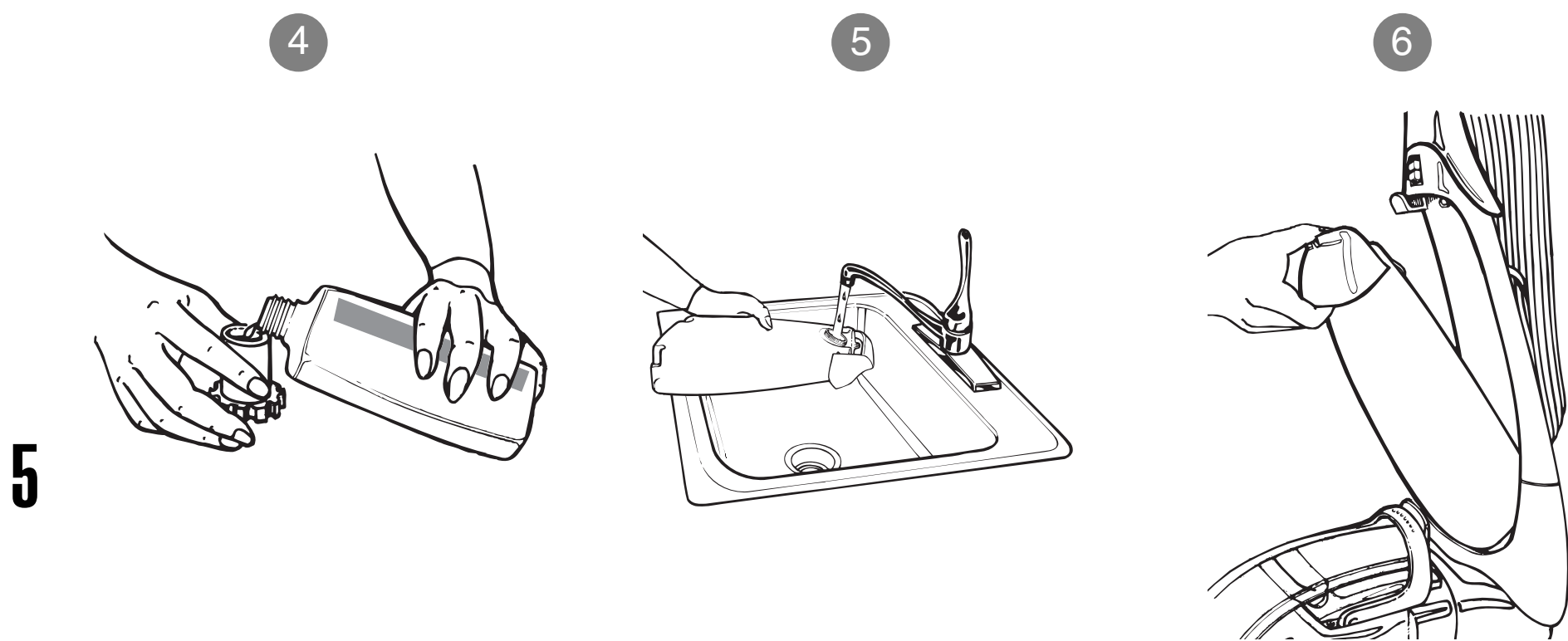
**Important:** Turn off when emptying and filling the reservoir.

Grasp the solution reservoir under the handle and press the handle release lever upward.

Tilt the solution reservoir away from the cleaner and remove.

Unscrew the filler/ measure cap from the rear of the solution reservoir.

## How to operate your cleaner



Fill the bottle cap or measure cap 3 times with VAX AAA carpet cleaning solution and pour into the reservoir.

**Caution:** Maximum water temperature 40°C  
Fill the remaining space in the solution reservoir with warm (max 40°C) tap water. Replace the measuring cap.

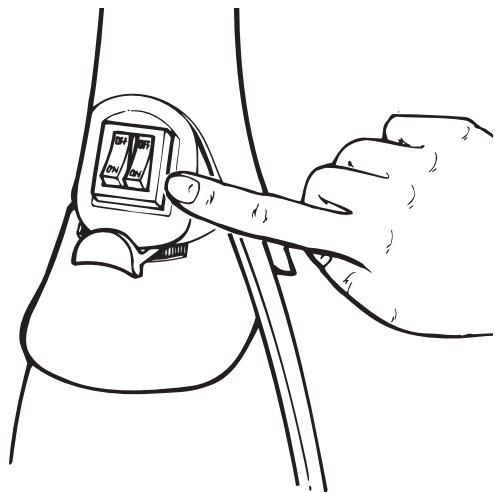
**Note:** use only VAX AAA cleaning solution, using other cleaning solutions may cause excessive foaming. This may cause the float to shut of the cleaner prematurely. Using other cleaners will void your warranty.

Place the bottom of the solution reservoir into the cleaner and push into place. There will be an audible click when the reservoir is in the correct position.

## How to operate your cleaner

**Important: Never leave the cleaner unattended with the power on.**  
Vacuum carpets thoroughly with dry vacuum cleaner before washing.

6



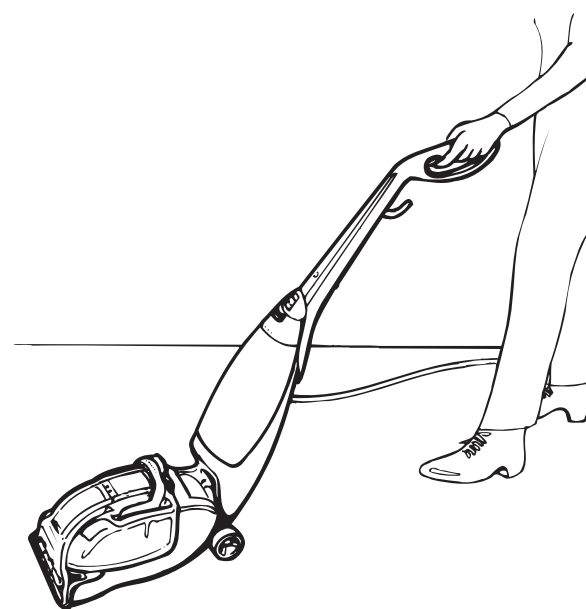
Plug the cord into a mains electricity socket. Turn the power and brushroll switches on. The switches are located on the front of the cleaner, above the solution reservoir. The power switch controls the vacuum motor, the brush roll switch only turns the brush roll on and off when the power switch is on.

8



Press on the handle release pedal and pull the cleaner back into a reclined position.

9

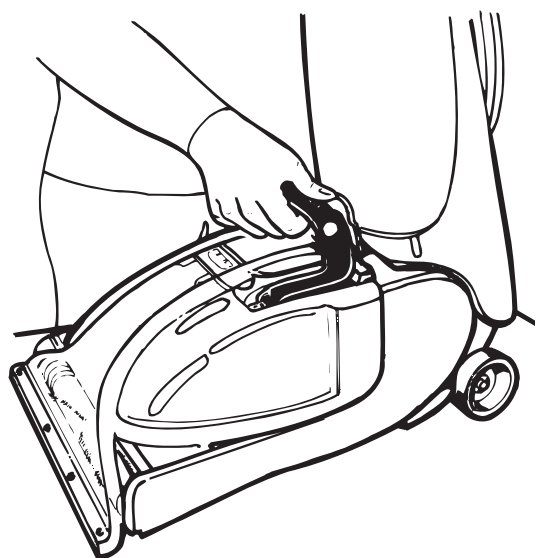


While pressing the solution release trigger, pull the cleaner in a backward motion. Release the trigger and push forward in the same path to remove the dirty water and solution from the carpet. Repeat if necessary, when the dirty water reaches the max fill line on the dirty water tank empty the tank.

## Emptying the dirty water tank

**Note: The float in your Rapide is the blue piece in the dirty water tank lid, it will shut off the suction when the dirty water tank is full. For best results use a smooth steady motion keeping the nozzle flat against the carpet. Tipping the cleaner and breaking the seal of the nozzle will cause the float to rise cutting off suction. Once the float is activated, empty the dirty water tank. If the tank doesn't appear full turn off the power switch and wait for the float to settle. For best results use only Vax AAA cleaning solution.**

1



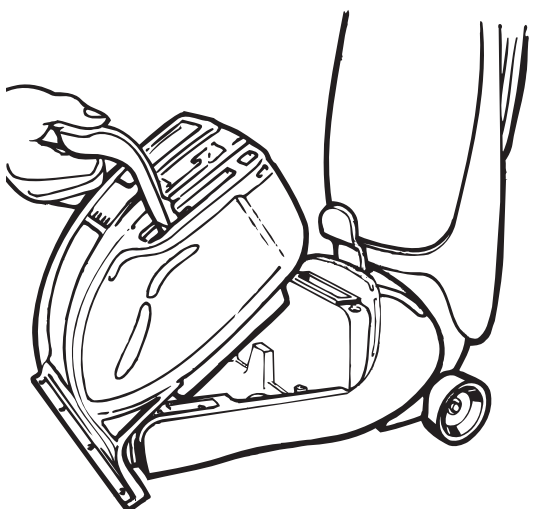
7

You will hear a distinct change in the noise coming from your cleaner when the tank is full and needs emptying.

**Important:** Unplug your cleaner before emptying the dirty water tank.

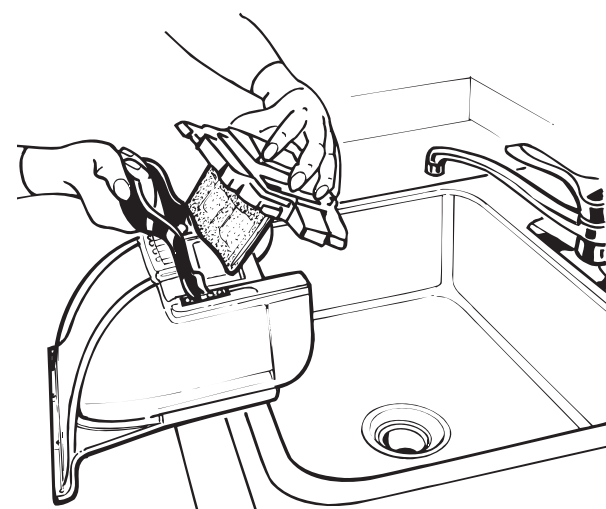
Grasp the top of the dirty water tank handle and press the release latch.

2



Grasp the handle and pull up out of the base, take care to ensure that no dirty water leaks from the front.

3



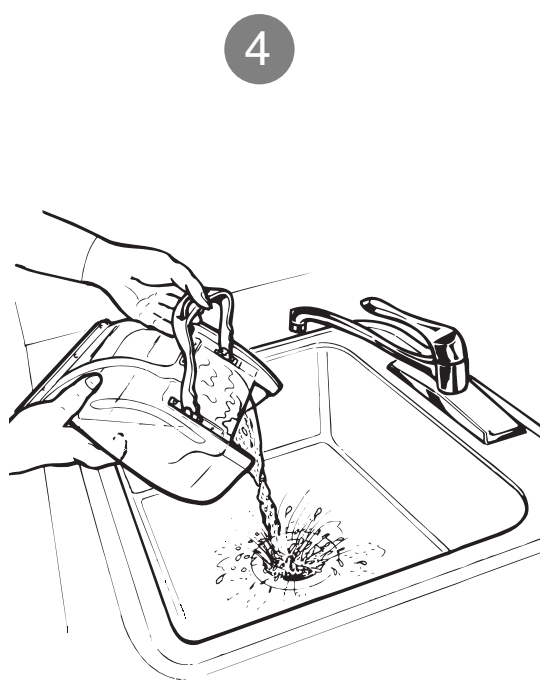
Remove dirty water tank lid.

### Emptying the dirt water tank

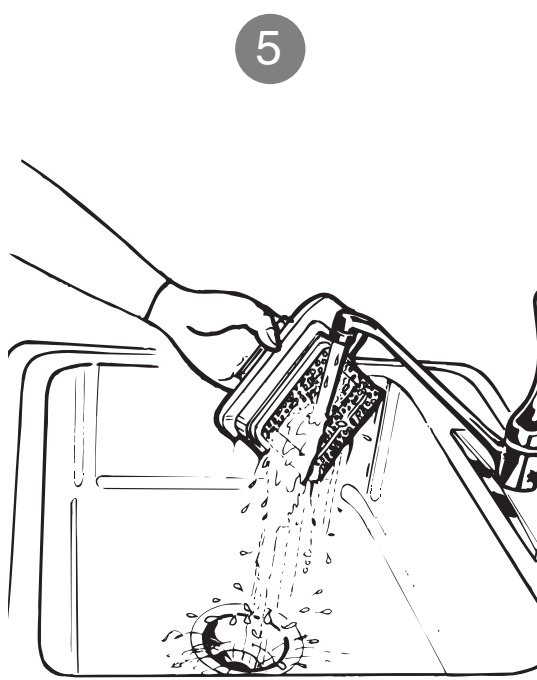
### Cleaning the dirty water tank

### Replacing the dirty water tank

8

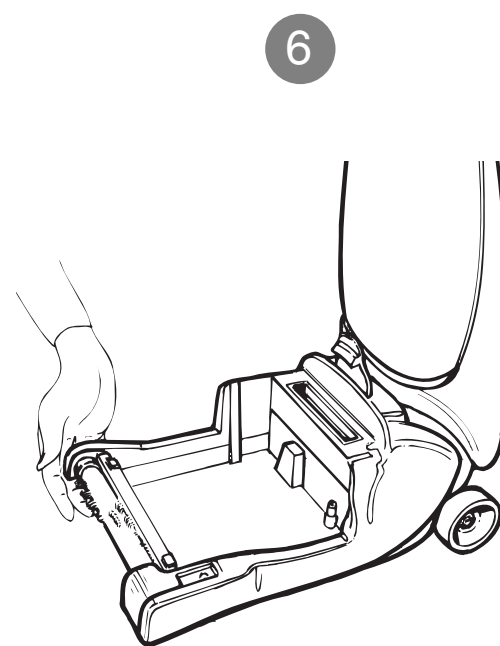


To empty the water tank grasp the handle with one hand and nozzle with the other and empty into the sink.



Rinse the dirty water tank and filter thoroughly, with warm water. You should allow them to dry fully before replacing them on your cleaner to prevent mildew.

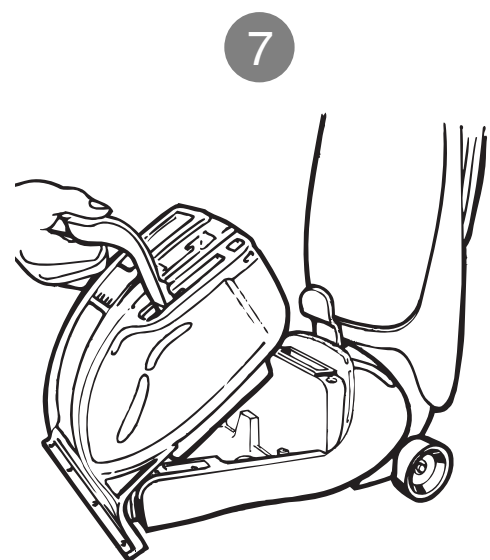
Do not use any chemicals in the cleaning process.



Lift the front of the carpet cleaner base off the carpet with one hand.

### Emptying the dirty water tank

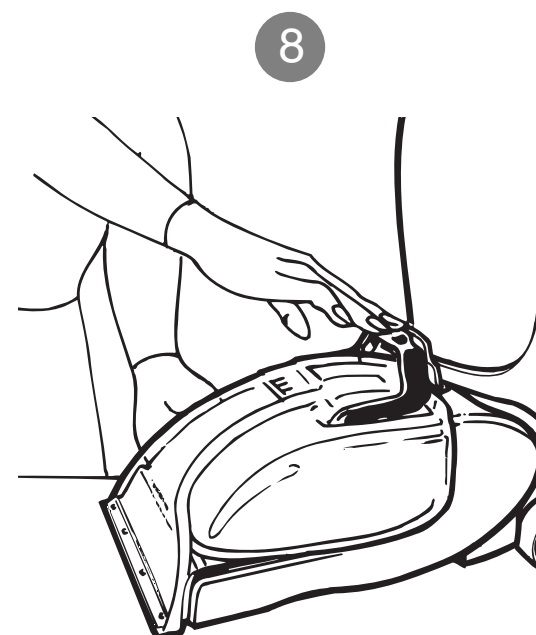
9



Grasp the handle and hook the front of the dirty water tank into the base, making sure that the front of the dirty water tank is resting on the base.

The dirty water tank has three tabs on the underside which **MUST** latch on to the underside of the base of the cleaner. The base must be lifted so that the nozzle is flush with the base of the cleaner.

Failure to install the dirty water tank correctly will result in poor dirty water pick up



While making sure the dirty water tank is resting on the base, place the rear of the tank into the base of the cleaner, push down on the handle until it latches.

Empty and rinse clean water tank after use.

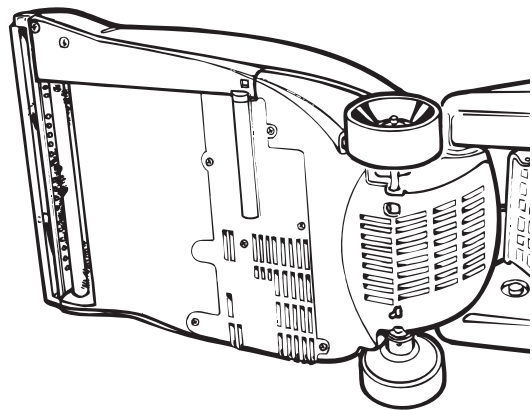
### Belt or brush removal and replacement

Phillips screwdriver required

The plug must be removed from socket outlet before cleaning or maintaining the appliance.

# 10

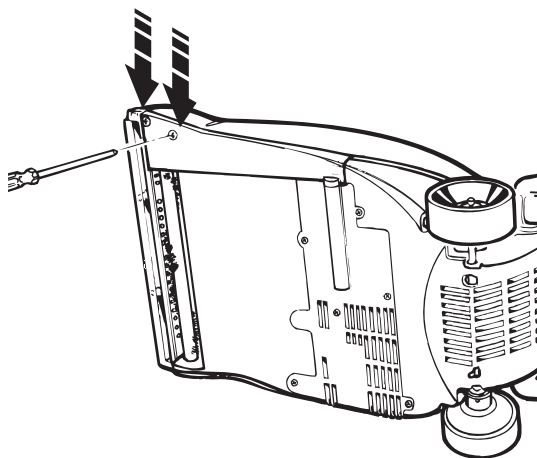
1



Remove the water tank switch off and unplug carpet washer.

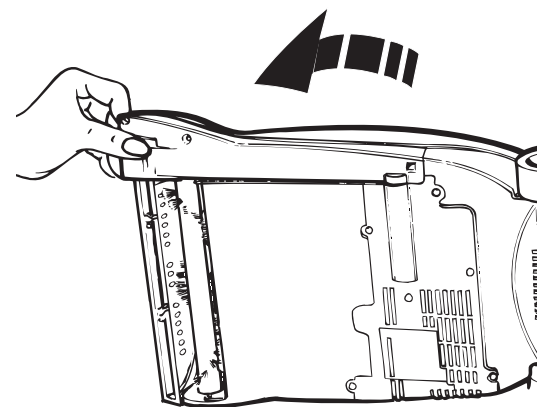
Flip the cleaner on it's side to expose the nozzle base.

2



To remove the belt cover, use a phillips screwdriver to remove the two screws.

3

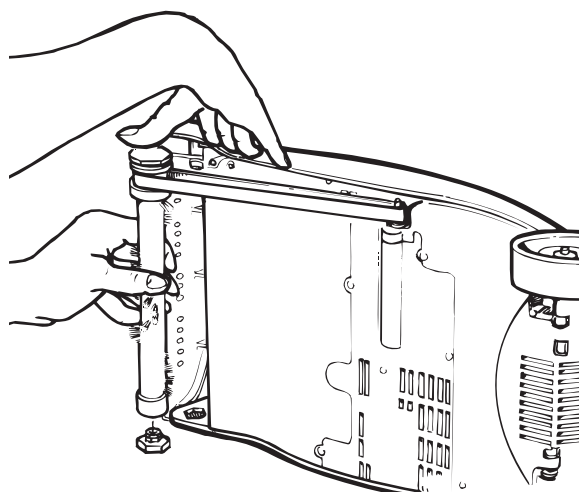


Grasp the belt cover near the belt roll and lift out.

### Belt or brush removal and replacement

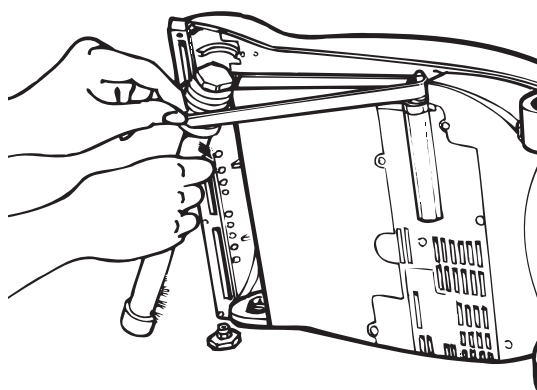
# 11

4



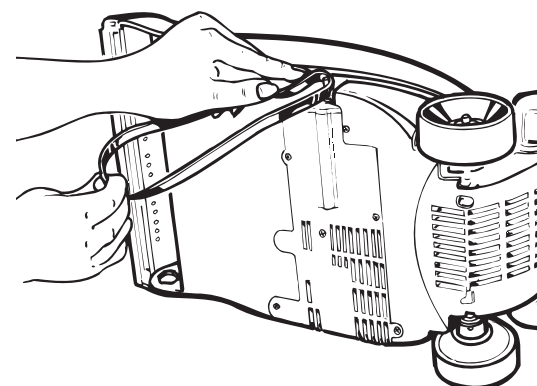
Grasp brushroll with one hand, using the other hand to keep tension on the the belt while removing.

5



Lift up while your pulling it out

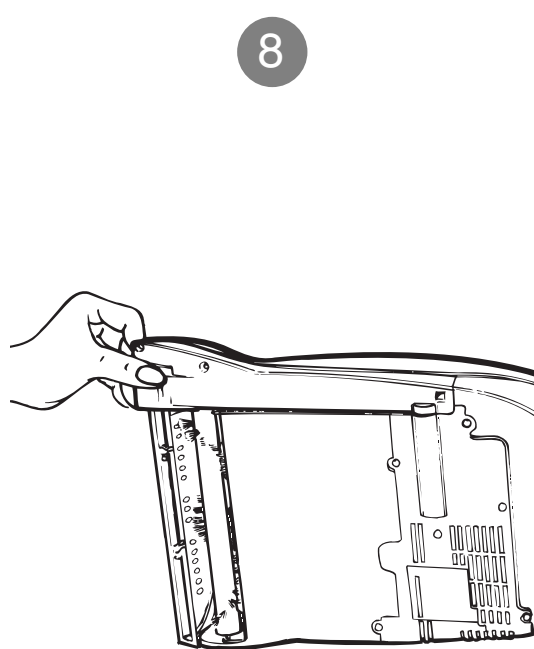
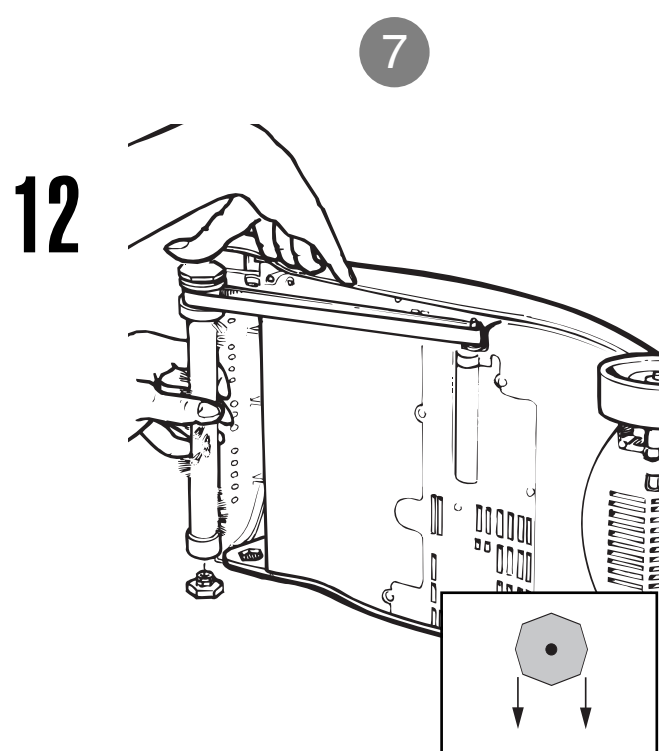
6



Slide the belt off the the motor shaft and dispose.

**Belt or Brush removal and replacement**

Phillips screwdriver required



When replacing the belt first slide it onto the motor shaft. Then slip the brush roll through the belt. Place the belt in the area of the brush without bristles.

Slide the brushroll into the nozzle, ensuring that the brushroll end caps are orientated correctly, see inset picture.

Manually turn the brush roll to check that it is fitted properly.

Replace the belt cover by inserting the end furthest from the brush first. Then replace the front of the belt cover before securing in place with the two screws.

**Troubleshooting**

13

<b>Problem</b>	<b>Possible Cause</b>	<b>Possible solution</b>
Cleaner won't run	<ul style="list-style-type: none"> <li>• Power cord not firmly pushed into a mains socket.</li> <li>• Blown fuse or tripped circuit breaker.</li> </ul>	<ul style="list-style-type: none"> <li>• Plug cord in firmly.</li> <li>• Check fuse/breaker. Replace fuse or reset breaker.</li> </ul>
Vacuum won't pick up/ loss of suction	<ul style="list-style-type: none"> <li>• Dirty water tank is not installed correctly.</li> <li>• Dirty water tank is full.</li> <li>• Broken or worn belt.</li> <li>• Brushroll is worn.</li> <li>• Nozzle/dirt passage is clogged.</li> </ul>	<ul style="list-style-type: none"> <li>• Refer to page 9 for fitting information.</li> <li>• See 'Emptying the dirty water tank'.</li> <li>• Replace the belt.</li> <li>• Replace the brush roll.</li> <li>• Remove obstruction.</li> </ul>
Dust escaping from the Vacuum	<ul style="list-style-type: none"> <li>• Dirty water tank is full.</li> <li>• Dirty water tank is not installed properly.</li> <li>• Solution reservoir not installed correctly.</li> </ul>	<ul style="list-style-type: none"> <li>• Empty dirty water tank.</li> <li>• See 'Emptying the dirty water tank'.</li> <li>• See 'How to operate your cleaner'.</li> </ul>
Cleaner won't dispense solution	<ul style="list-style-type: none"> <li>• Solution reservoir not installed correctly.</li> <li>• Solution tank empty.</li> </ul>	<ul style="list-style-type: none"> <li>• See 'How to operate your cleaner'.</li> <li>• Fill tank see page 4 and 5.</li> </ul>

## Safety

- Do not leave the appliance when plugged in. Unplug it from socket when not in use.
- To prevent electric shock do not use outdoors
- Not to be used as a toy. Close supervision is necessary when used by or near children or the infirm.
- Use only as described in this user guide.
- Do not use with a damaged cord or plug.
- Do not pull or carry by the cord, use the cord as a handle, allow the cord to come into contact with hot or sharp surfaces or close a door on the cord.
- Do not unplug by pulling on the cord.
- Do not handle the plug or appliance with wet hands.
- Do not put any objects into openings or operate with openings blocked, keep them free of anything that may reduce airflow.
- Keep hair, loose clothing, fingers, and all parts of the body away from openings and moving parts.
- Do not vacuum any glowing, burning or smoking particles.
- Do not use without the solution reservoir and dirty water tank in place.
- Turn off all controls before unplugging.
- Do not use to pick up flammable or combustible liquids such as petrol, or use in areas where they may be present.
- Keep the carpet washer on the floor.
- Do not use an extension cord with this carpet washer.
- Do not attempt to remove blockages with sharp objects as they may cause damage.
- Store the carpet washer indoors. Put the carpet washer away after use to prevent tripping accidents.
- Using improper voltage may result in damage to the motor and possible injury to the user. The correct voltage is listed on the ratings plate.
- **This is not a dry vacuum cleaner, carpets should be thoroughly vacuumed prior to washing with the Rapide.**

For further information in the UK, call the VAX HELPLINE : 0870 606 1248