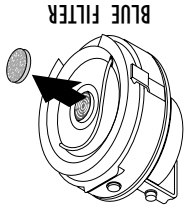


EEC STATEMENT OF COMPLIANCE

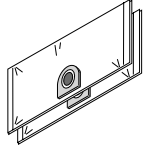
Manufacturer/ EEC importer: VAX Limited, hereby on our own responsibility declare that the product VAX Canister 6140 Pet Vax, is manufactured in compliance with the following:
 STANDARDS: Safety - EN 60335-1 & -2-2
 Electromagnetic compatibility - EN 55014-1 & -2, EN 61000-3-2 & -3-3

VAX Ltd continuously develops its product range. Products and accessories may be subject to change without warning.

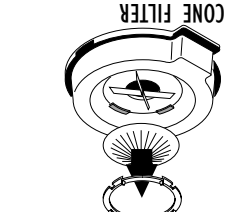
VAX genuine parts and consumables are available from supermarkets and many electrical stores. If you have difficulty obtaining them call the VAX CARE HELPLINE on 0870 6061248 (calls are charged at the UK national rate) for your nearest stockist or visit the VAX website at www.vax.co.uk



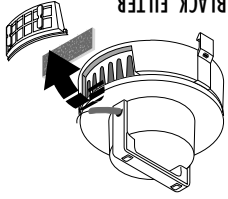
BLUE FILTER



DUSTBAGS



CONE FILTER



BLACK FILTER

VAX Ltd., Kingswood Road, Hampton Lovett, Droitwich, Worcestershire, WR9 0QH, UK.
 Email: enquiry@vax.co.uk - Website: www.vax.co.uk
 Part No: 1-8-125213-00 Version No: 1 Printed in China

VAX CLEANING CONSUMABLES

VAX 'For Pets' CARPET CLEANER

Gently lifts our embedded dirt and stains from carpets and most upholstery fabrics. Dries leaving a fresh fragrance with no sticky residue. For use in all VAX carpet washing products.

VAX SPOT & STAIN REMOVER

Removes spots and stains from carpets and most upholstery fabrics. Effective on dried-in stains, however, for best results use immediately after spilling or marking.

VAX ACCESSORIES

VAX HARD FLOOR WASHER

This patented cleaning head scrubs, washes and dries hard floors instantly, using a continuous flow of clean water. Suitable for vinyl, ceramics, terrazzos, quarry tiles, sealed wood and most other hard floor surfaces.

VAX GENUINE PARTS AND CONSUMABLES HAVE BEEN DESIGNED SPECIFICALLY FOR USE IN YOUR VAX. USING GENUINE VAX PARTS WILL ENSURE ULTIMATE PERFORMANCE FROM YOUR VAX.
 ALL VAX CARPET CARE PRODUCTS HAVE BEEN INDEPENDENTLY TESTED AND APPROVED AS SAFE FOR USE ON WOOL/WOOL RICH AND MAN MADE FIBRE CARPETS.

6140 Pet Vax Easy Guide



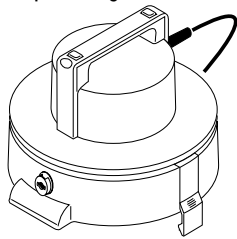
UK SERVICE & HELP - VAX CARE 0870 6061248

Mon-Fri. 9.00am to 5.00pm. An answer phone is available out of these hours. If you have queries or concerns about using your VAX, call the HELPLINE. Calls are charged at the UK national rate. Please make a note of the serial number and model number of your VAX before calling. There are over 400 approved VAX Service Agents in the UK. For your nearest Service Agent please call VAX Care.

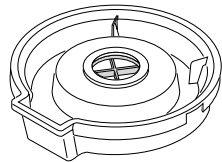
THIS PAGE HAS BEEN INTENTIONALLY LEFT BLANK

PARTS SUPPLIED WITH YOUR 6140 PET VAX

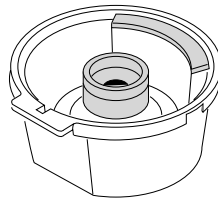
N.B. When unpacking, some items will be stored within the main unit.



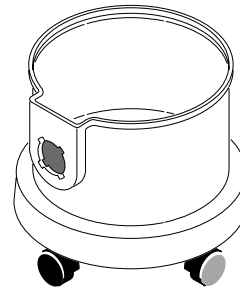
Motor unit



Cone filter unit



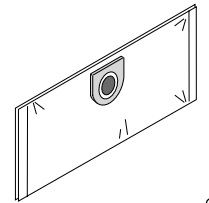
Clean water bucket



'For Pets' AAA Carpet cleaner



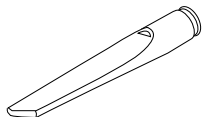
Spot & Stain remover



Dust bag



Upholstery/ stair vacuuming tool



Crevice tool



Dusting brush



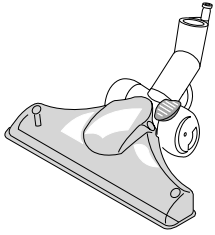
Hose and hand grip



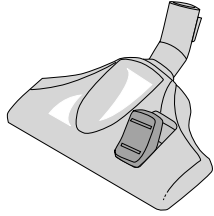
Rubber gloves

PARTS SUPPLIED WITH YOUR 6140 PET VAX (continued)

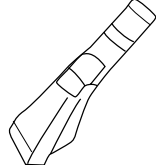
4



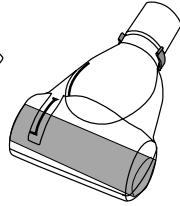
Carpet washer



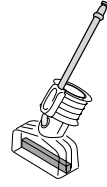
Dry vacuuming head



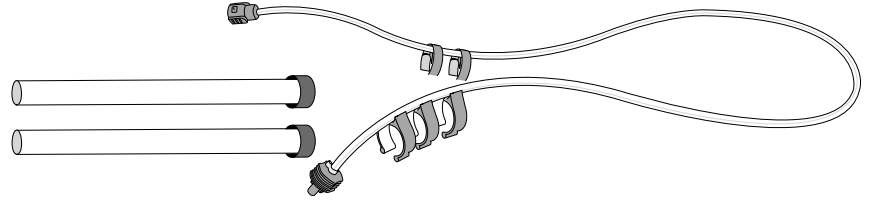
Spill pick-up tool



Turbo tool



Upholstery wash tool

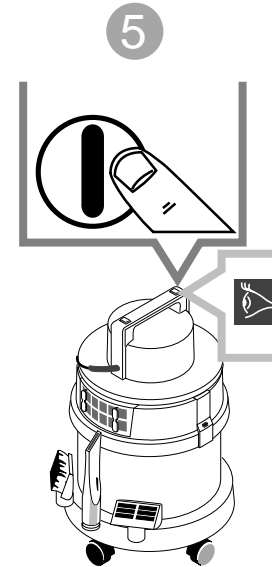
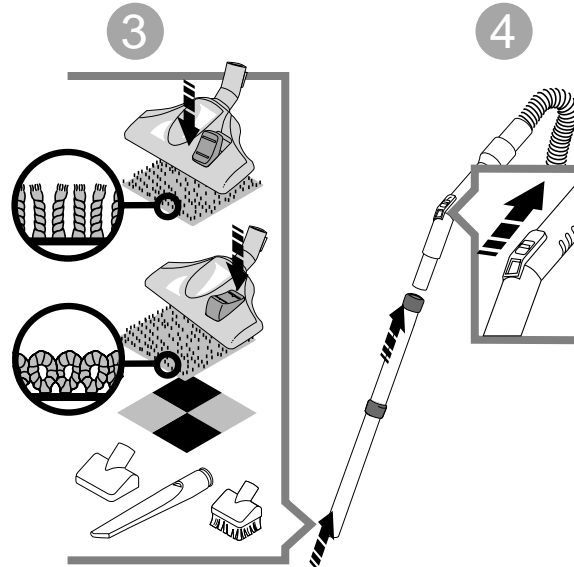
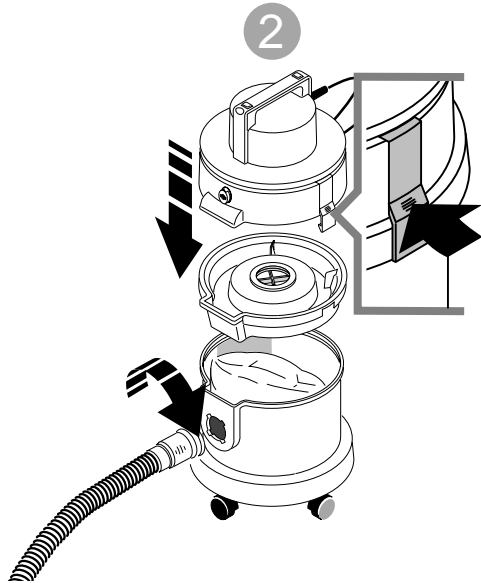
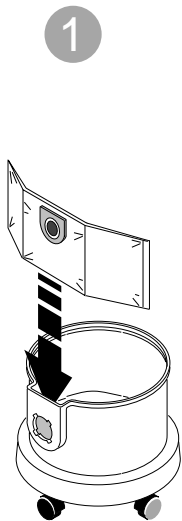


Extension tubes

Water delivery tube

STEPS FOR EASY VACUUMING

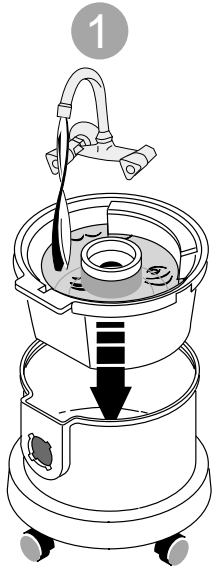
5



GETTING READY TO WASH

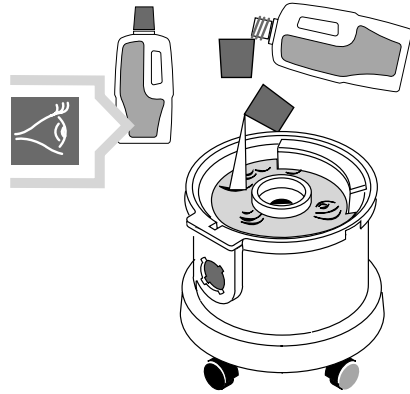
WATER
Max 40°C

6

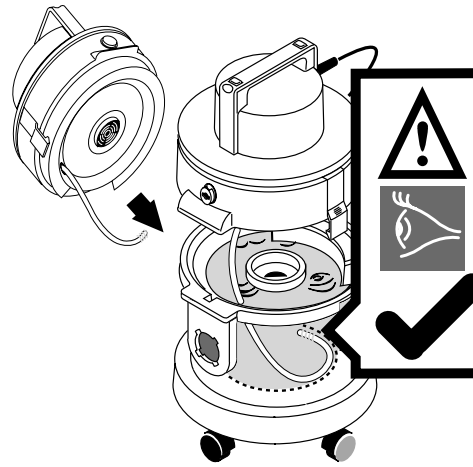


'FOR PETS' AAA CARPET CLEANER

2

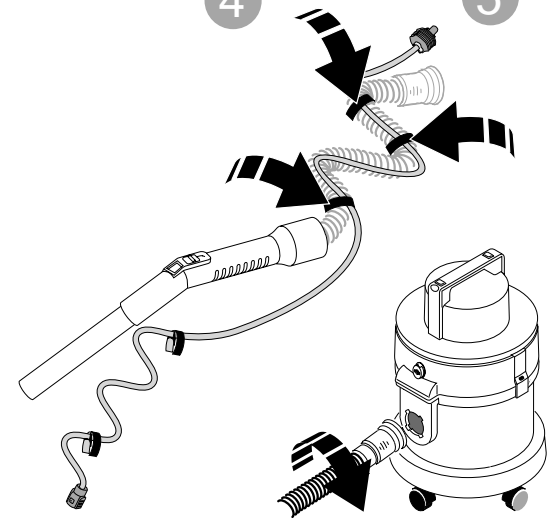


3



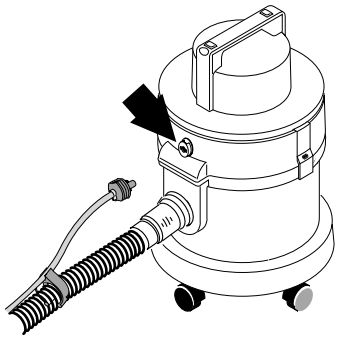
4

5

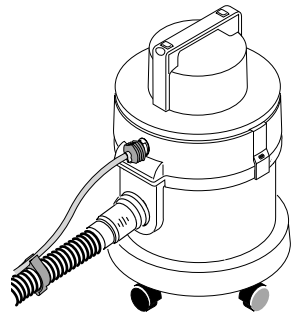


GETTING READY TO WASH - continued

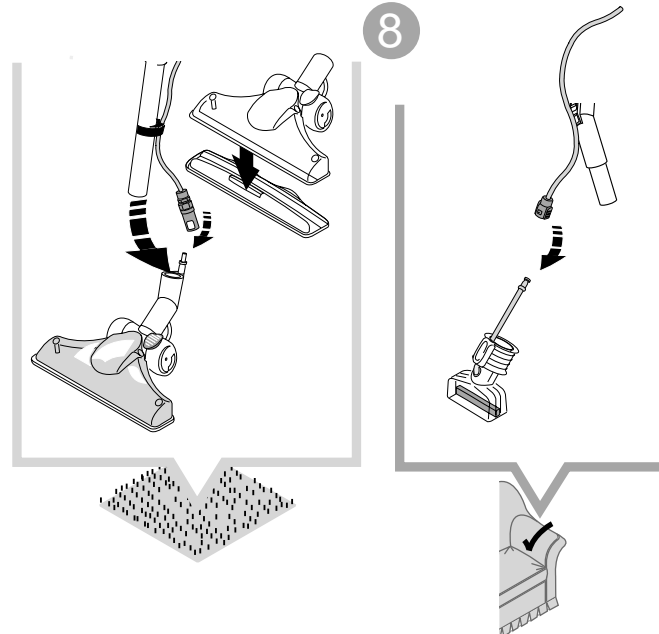
6



7

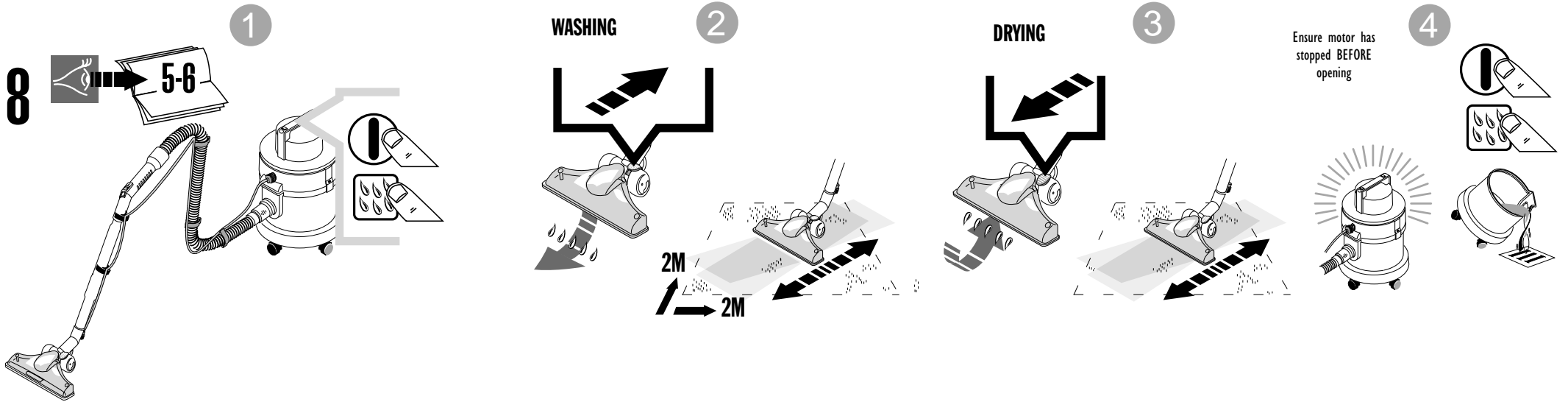


8



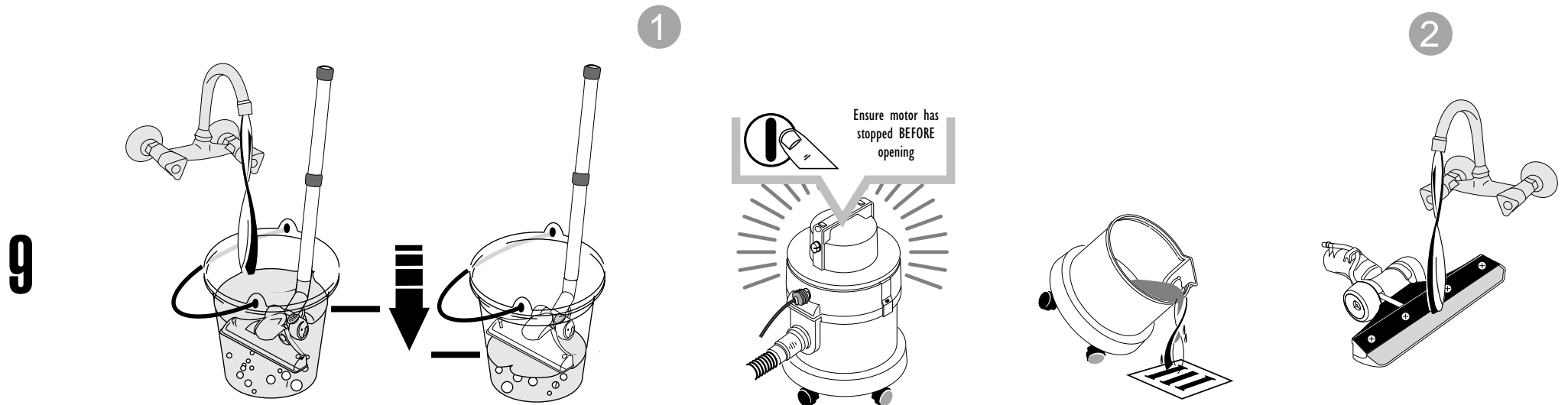
7

WASHING CARPETS



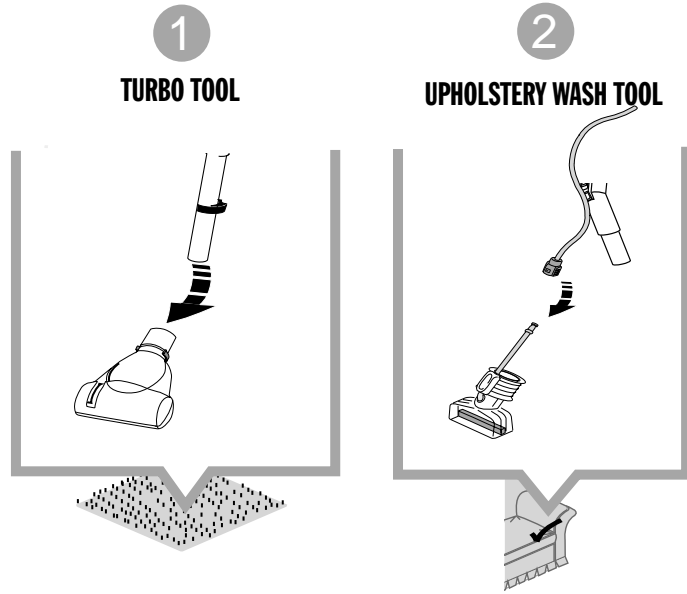
CLEANING UP AFTER USE

TO KEEP THE PUMP IN YOUR VAX IN GOOD CONDITION, WE RECOMMEND YOU FLUSH CLEAN WATER (WITH NO SOLUTION) THROUGH IT AFTER WASHING.



USING THE PET KIT

10

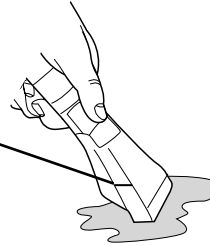


3 **SPILL PICK-UP TOOL**

USING

Use only when set up in wet mode.

Do not fill above this level

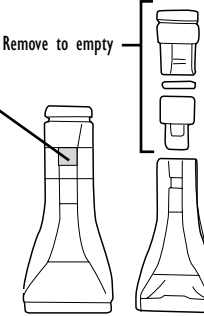


3a

EMPTYING

Remove to empty

Release button



4

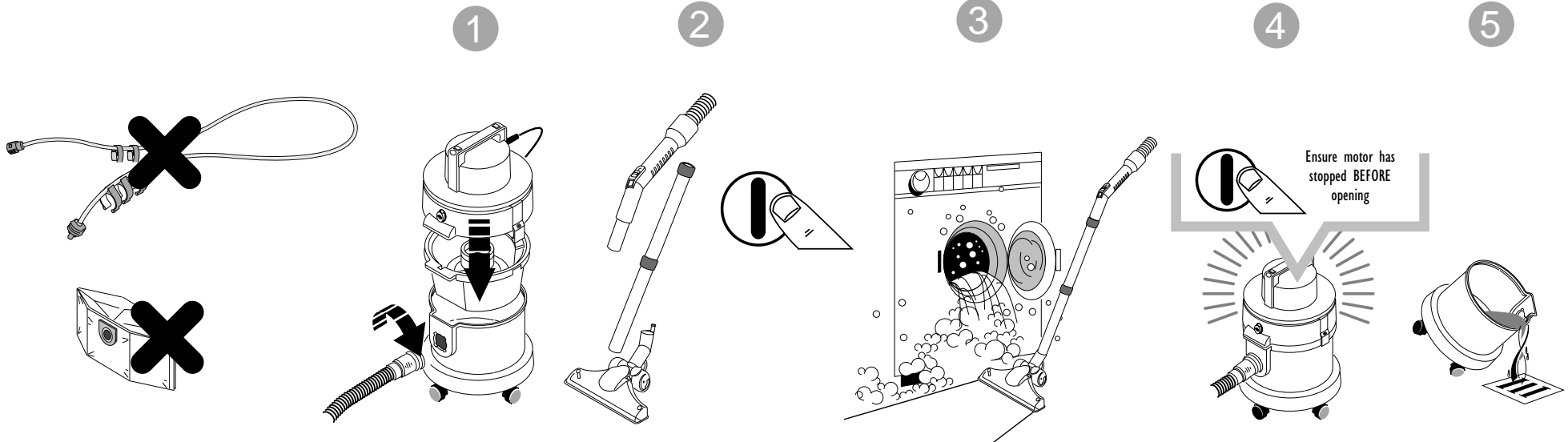
SPOT & STAIN REMOVER

Use as directed on the bottle



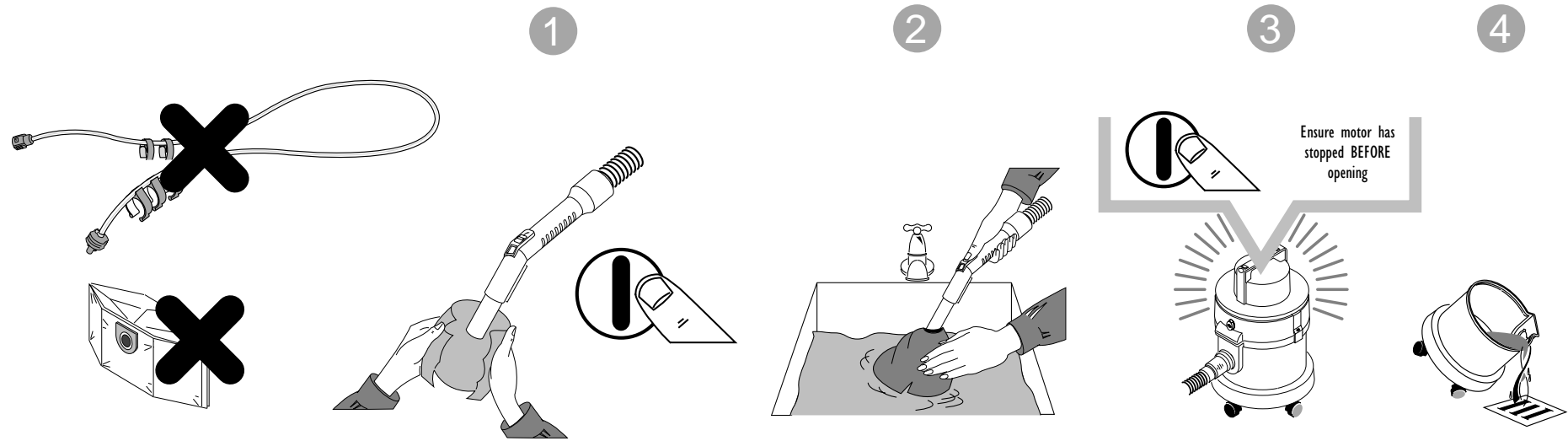
CLEANING UP LARGE SPILLS

11



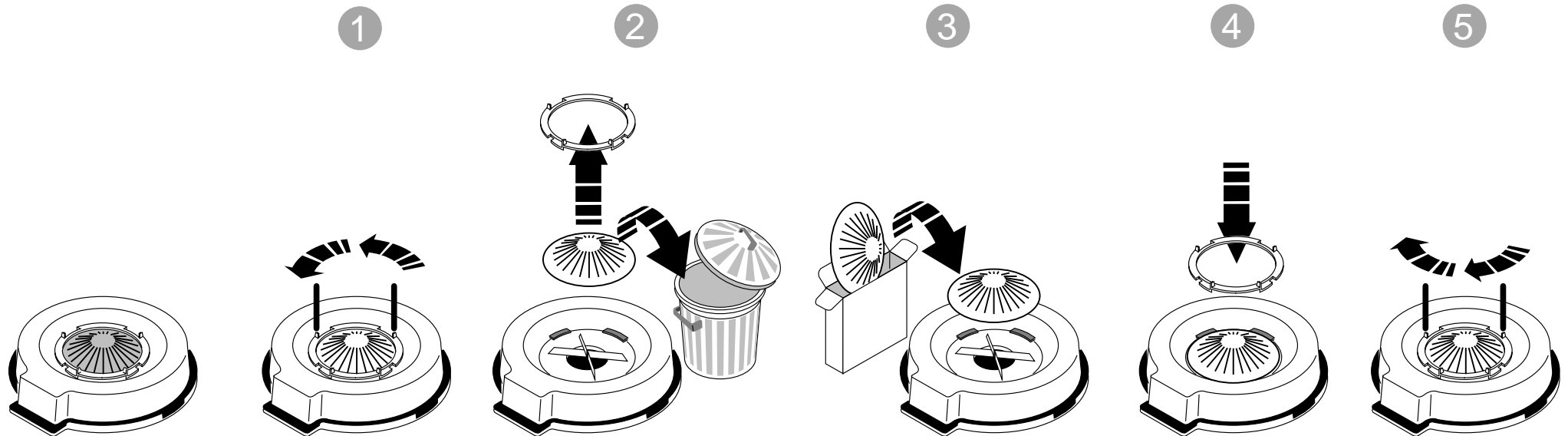
UNBLOCKING SINKS

12



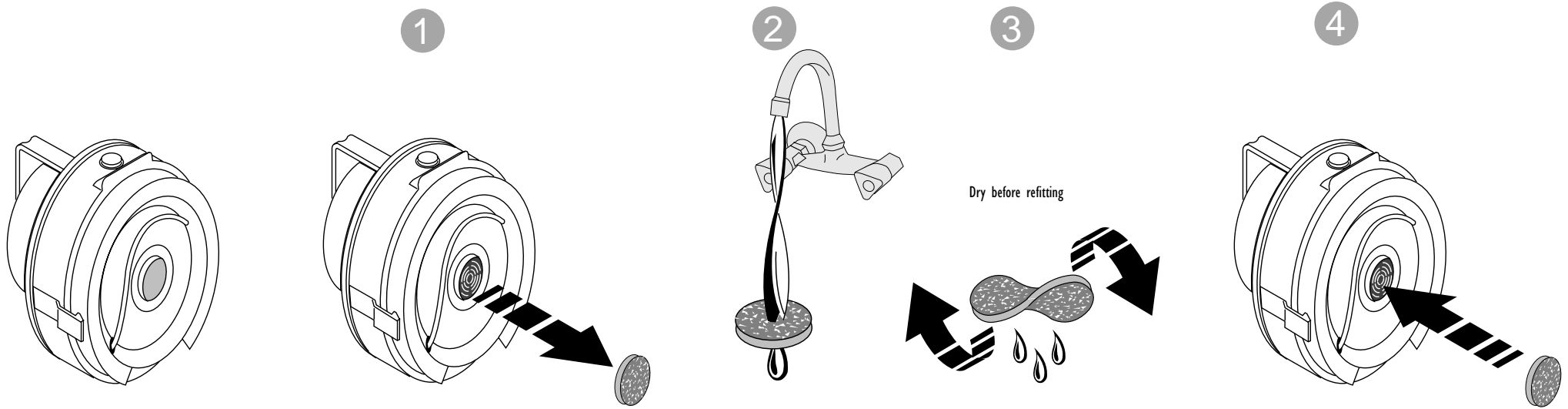
REPLACE THE CONE FILTER REGULARLY

13



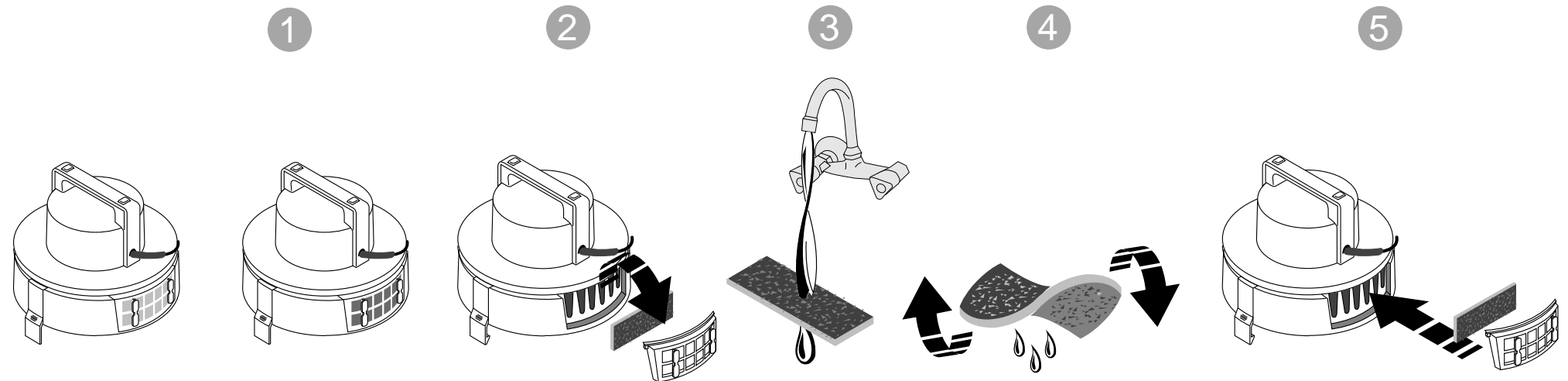
WASH OUT THE BLUE FILTER REGULARLY AND REPLACE OCCASIONALLY

14



WASH OUT THE BLACK FILTER REGULARLY AND REPLACE OCCASIONALLY

15



DO'S

- Ensure the mains cable is fully unwound and straightened before use.
- Ensure the mains cable is kept well away from the revolving brushes (where fitted) of your VAX, when it is turned on and running.
- Keep the mains cable away from heat, oil, sharp edges and rough surfaces and avoid damage in any other way.
- Exercise extreme care when cleaning stairs.
- Follow the instructions in this user guide when fitting and changing accessories or tools.
- Remove the plug from the wall socket before carrying out any maintenance specified in this guide.
- Change dust bags and filters at regular intervals.
- Store your VAX in a dry place.
- Switch the pump on occasionally (once per month) for 5 seconds to keep it in good working order for when you next wash your carpets.
- Switch off the machine before adding or removing attachments.

DON'TS

- Never allow children to tamper or play with your VAX.
- Avoid dragging your VAX by the mains cable.
- Never tug at the mains cable to remove the plug from the wall socket.
- Keep all loose clothing, hair and body parts away from openings and moving parts.
- Never use your VAX in the presence of flammable gases.
- Avoid sucking up hot items, hazardous liquids or any other material which could damage your VAX.
- Never leave your VAX running unattended.
- Never use your VAX without a dust bag except when washing or sucking up spills.
- If your VAX fails to operate, never attempt to repair it yourself as repairs carried out by an unauthorised or inexperienced person may cause injury to you or damage to your VAX. Have your VAX serviced by an authorised VAX Service Agent only using genuine VAX spare parts. Never alter the specification or modify your VAX in any way.

IMPORTANT SAFETY INFORMATION

THIS 'EASY GUIDE' SHOULD BE READ COMPLETELY AND REFERRED TO AT ALL TIMES BEFORE USING YOUR VAX. This 'easy guide' should be retained with your VAX for future reference. If your VAX is sold or transferred to a new owner, this guide should be passed on so that the new owner can become acquainted with the machine and this information. The following information is provided in the interest of safety. Please read it before using your VAX.

THE POWER SUPPLY CORD ON YOUR VAX HAS 2 INNER WIRES. IT SHOULD BE CONNECTED TO THE PLUG AS FOLLOWS: THIS APPLIANCE MUST NOT BE EARTHED.

IMPORTANT: When carrying out any maintenance or cleaning operations on this product, it is essential that the plug is removed from the wall socket. The wires in the mains lead are coloured BLUE for NEUTRAL and BROWN for LIVE.

If the plug provided is unsuitable for your socket outlets, the plug must be cut off and a suitable plug fitted. The cut-off plug should be disposed of and must not be inserted into any 13 amp socket as this can result in electric shock. The plug or adaptor or the distribution panel should be provided with a 13 amp fuse.

As the colours of the wires in the mains lead of this appliance may not correspond with coloured markings identifying the terminals in your plug, proceed as follows. The wire which is coloured blue MUST be connected to the terminal which is marked with the letter N or coloured black. The wire which is coloured brown MUST be connected to the terminal which is marked with the letter L or coloured red. DO NOT CONNECT EITHER WIRE TO THE EARTH TERMINAL OF A THREE PIN PLUG (THIS IS MARKED 'E' OR BY THE EARTH SYMBOL \perp OR COLOURED GREEN OR GREEN AND YELLOW).

When replacing or changing a fuse always replace the fuse cover/holder. The appliance should not be used with the fuse exposed. If lost, replacement fuse covers can be obtained from VAX Ltd.

Only 13 amp fuses approved to B.S. 1362 A.S.T.A. should be used. This appliance conforms with the requirements of EEC Directive No. 82/499 EEC relating to radio interference. In the interests of product improvement, the Company reserve the right to introduce modifications or alterations without notice.

18 TROUBLESHOOTING

TROUBLESHOOTING

IF YOUR VAX SUDDENLY STOPS :

The fuse may have blown. Disconnect your VAX from the mains, empty the machine and clear any blockages. Replace the 13 amp fuse and try again. If it still does not work, contact your nearest service agent.

IF YOUR VAX DOES NOT SUCK UP PROPERLY :

- Check to see if the dust bag is full.
- Ensure there are no blockages in the hose.
- Clean/change the filters. See pages 12/ 13/ 14.

IF YOUR VAX DOES NOT WASH PROPERLY:

- Check to see if the dirty water bucket is full. If it is, empty it. See page 8, picture no. 1.
- Make sure the solution tube is at the bottom of the water/washing solution. See page 5, picture no. 3.
- Ensure that the connector on the end of the water delivery tube is fitted properly. See page 6, picture no. 8.

TIPS

- As your VAX is very powerful, you may find that the dust bag fills up quickly the first time that you use your VAX.
- WHEN WASHING CARPETS, ALWAYS TEST FOR COLOUR FASTNESS, WITH SOME UNDILUTED CLEANER ON A HIDDEN AREA.
- When washing deep pile carpets, move the washing tool in the same direction as the pile lays.
- Start from the furthest corner of the room and work backwards towards the door.
- If you are washing very dirty carpets, you may have to wash them several times over a period of time to bring the dirt to the surface.
- Metal or wooden furniture legs may mark a wet carpet, wait until the carpet is dry before replacing furniture or cover legs with aluminium foil.
- Do not allow children or animals onto your carpet until it has had time to dry.

THIS PAGE HAS BEEN INTENTIONALLY LEFT BLANK