



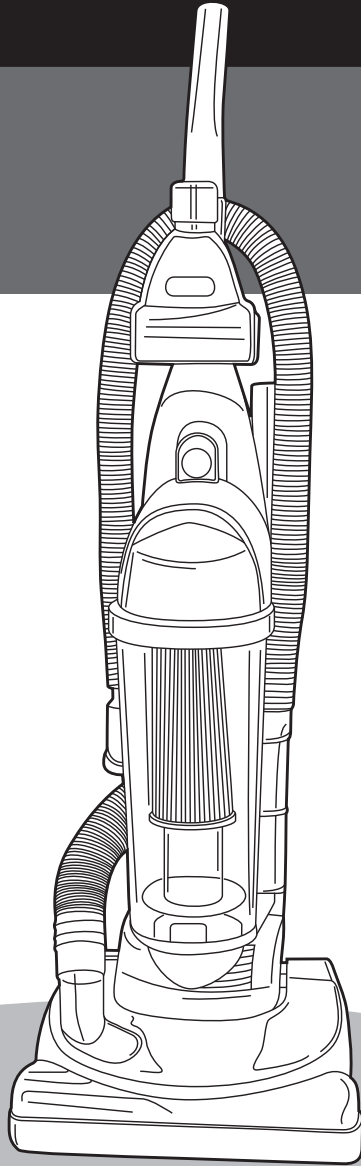
Vax Careline: (UK) 0844 412 8455
(ROI) 1-800 928 308

Bagless upright

SWIFT

Vax model number:
VS-190 Series

! **WARNING:** This cleaner has a constantly rotating brushbar which, when left in contact with lino, parquet and other hard flooring could potentially cause some damage to the floor surface.



instruction manual

Version 1.1

vax.co.uk

Please read carefully before using this cleaner.
Always fully extend the mains cable before use.
Retain for future reference.

vax.co.uk

1. Diagram

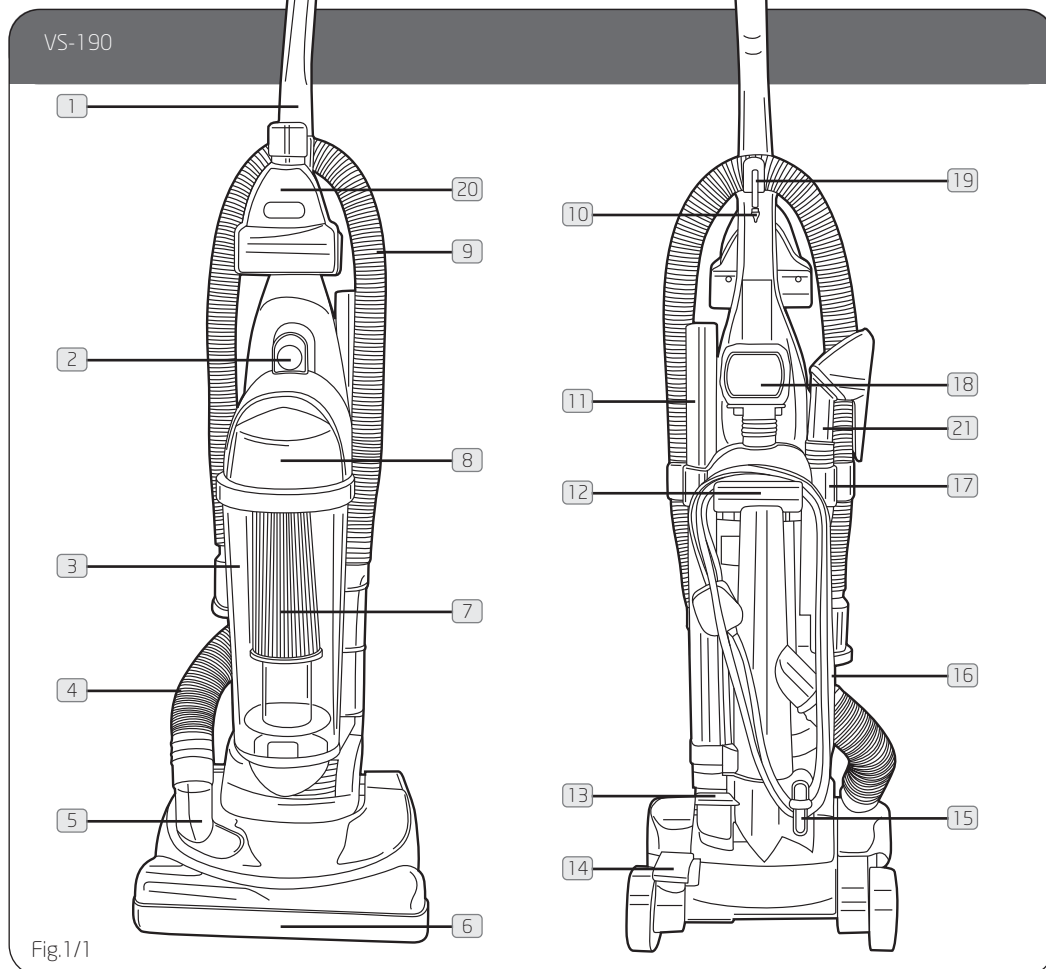


Fig.1/1

- | | |
|---|--|
| 1 Handle | 10 Cord clip |
| 2 Dirt container release latch | 11 Extension wand |
| 3 Dirt container | 12 Carrying handle/cord wrap |
| 4 Lower hose | 13 On/off pedal |
| 5 Clear window | 14 Handle release pedal |
| 6 Scuff guard | 15 Cord wrap with quick release |
| 7 HEPA filter (VS-190, VS-190U, VS-190R, VS-190PO, VS-190S)
HEPA, antibacterial and carbon filter (VS-190P, VS-190APP)
HEPA and carbon filter (VS-190C) | 16 Power cord |
| 8 Dirt container lid | 17 Crevice tool |
| 9 Main 1.5m hose, 4.2m stretch hose (Some models only) | 18 2-in-1 tool - dusting brush/
upholstery tool |
| | 19 Hose bracket |
| | 20 TurboTool (Some models only) |
| | 21 Treads and risers tool (Some models only) |

PLEASE NOTE: Some parts may vary according to model. Please check box/inside flap of box for more details.

2. Safety Information

For Household Use Only

When using the vacuum cleaner, basic safety precautions should always be observed, including the following:

1. Only use the vacuum cleaner indoors on dry surfaces. Do not handle the plug or vacuum cleaner with wet hands. Do not use outdoors or on wet surfaces.
2. Turn off the vacuum cleaner controls before disconnecting or connecting from the mains supply.
3. Always unplug the vacuum cleaner before connecting or disconnecting the vacuum hose and accessories.
4. Children should be supervised to ensure that they do not play with the appliance.
5. This appliance is not intended for use by persons (including children) with reduced physical, sensory or mental capabilities, or lack of experience and knowledge, unless they have been given supervision or instruction concerning use of the appliance by a person responsible for their safety.
6. Use only as described in this manual. Use only Vax recommended attachments.
7. Do not use the vacuum cleaner if it has been dropped, damaged, left outdoors or dropped into water. Do not use the vacuum cleaner with a damaged cord or plug. If the supply cord is damaged, it must be replaced by the manufacturer or a recommended Service Agent to avoid hazard and invalidating the guarantee.
8. Do not pull or carry by cord/hose. Do not use the cord/hose as a handle, close a door on the cord/hose or pull cord/hose around sharp edges or corners. Do not run the vacuum cleaner over the cord/hose. Keep the cord away from heated surfaces.
9. Do not put any objects into openings. Do not use with any openings blocked and do not restrict airflow. Keep all openings free of dust, lint, hair or anything that might reduce airflow.
10. Keep hair, loose clothing, fingers and all parts of the body away from openings and moving parts.
11. Do not pick up hot coals, cigarette butts, matches or any hot, smoking or burning objects.
12. Do not pick up flammable or combustible materials (lighter fluid, petrol, kerosene etc.) or use in the presence of explosive liquids or vapours.
13. Do not vacuum up harmful or toxic material (chlorine, bleach, ammonia, drain cleaner etc.).
14. Do not vacuum up hard or sharp objects such as

glass, nails, screws, coins, etc.

15. Do not use without ALL of the filters in place.
16. Take extra care when vacuuming on stairs.
17. Keep vacuuming area well lit.
18. Store the vacuum cleaner in a cool, dry area.
19. Turn off the on/off switch before unplugging the vacuum cleaner.
20. Use only CE-approved 13 amp extension cords. Non-approved cords may overheat. Care should be taken to arrange the cord so that the cord cannot be tripped over.

! **WARNING:** Always switch off and unplug the vacuum cleaner from the electrical outlet before assembling, opening or emptying the dirt container, or before connecting/disconnecting the attachments.

! **CAUTION:** The vacuum cleaner is a very powerful unit. Before plugging the cord into the electrical outlet, make sure the switch is in the 'off' position. Hold the vacuum cleaner firmly when starting and in use.

! **IMPORTANT:** If the inlet or hose is blocked, switch off the vacuum cleaner and remove the blockage(s) before re-starting the vacuum cleaner.

! **IMPORTANT:** Cleaning filters maintains vacuum performance. After rinsing filter (VS-190P, VS-190C only), make sure it is dry before inserting back into the vacuum cleaner.

This vacuum cleaner is intended for household use only and not for commercial or industrial use.

Please keep these instructions for further use.

Motor Thermostat (VS-190P, VS-190C only)

IMPORTANT: The motor is equipped with a thermal cut-out. If for any reason, the vacuum cleaner should over-heat, the thermostat will automatically turn the unit off. Should this occur, unplug the vacuum cleaner from the electrical outlet and turn off the switch. Remove the dirt container and empty. Clean the filters. Allow the cleaner to cool for approximately one (1) hour. To re-start, plug into an electrical outlet and switch back on.

3. How to Assemble

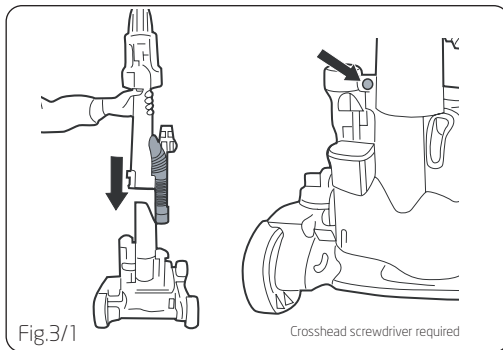
⚠ IMPORTANT: Always unplug the vacuum cleaner from the electrical outlet before assembling or removing the accessories.

Tool required: Crosshead screwdriver

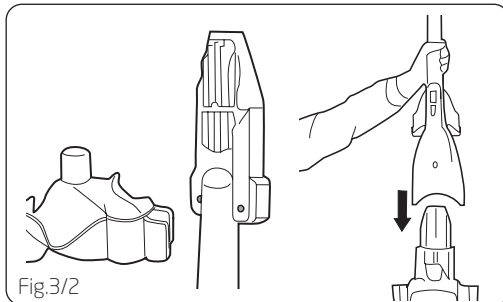
1. Place the base of the cleaner so it is facing away from you. Position the body so that the lower hose is on your right hand side. Push the body down into place.

To secure the body in place insert one of the screws supplied into the back of the cleaner, through the hole located above the on/off pedal.

Pull back the flap on the clear window. Match the slots on the hose to the tabs on the hose inlet. Push down firmly on the cuff and turn anti-clockwise to lock in place (Fig.3/1).

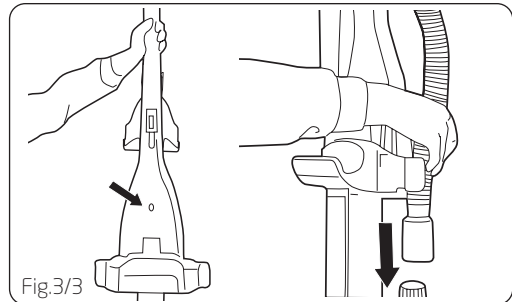


2. Align the holes in the tool holder, with the holes on top of the body. Use two of the screws supplied to secure the tool holder in place. Do not over tighten. With the hose clip on the handle facing you place it onto the top of the body of the cleaner (Fig.3/2).



3. Push down firmly and line up the screw hole on the rear of the handle. Use one of the screws supplied to secure the handle on the body.

Insert the small end of the main hose into the tool holder on the right hand side (Fig.3/3).

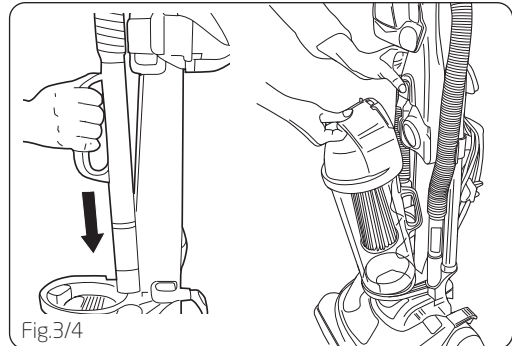


4. Using the handle attach the main hose into the left hand side of the cleaner. Press down firmly to secure in place. The main hose can then be secured in the top and side of the tool holder.

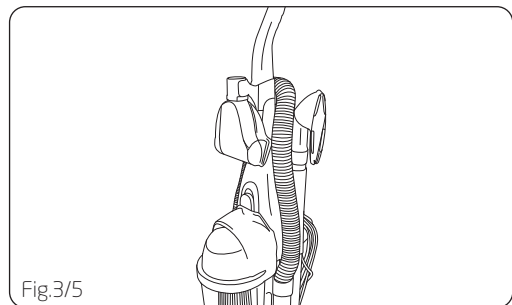
Push the dirt container lid firmly on top of the dirt container and place it onto the cleaner. The dirt container will snap into place in the body of the cleaner.

Attach the tools to the tool holder. The 2-in-1 tool fits over a post at the back of the vacuum cleaner.

The crevice tool fits into a round slot on the rear right hand side of the tool holder, and the extension wand and hose on the left hand side (Fig.3/4).



5. Store the TurboTool in the caddy on the handle and insert the treads and risers (stair) tool in the top of the crevice tool for storage (Fig.3/5).



4. How to Operate

1. Plug the cord into an electrical outlet and turn on by pressing the on/off pedal, located on the back left of the cleaner (1).

To unlock the handle from the upright position press the handle release pedal (2) down.

Move the handle to the desired position (a) for storage and position (b) for normal operation. To clean under furniture, press the release pedal again and use position (c) (Fig.4/1).

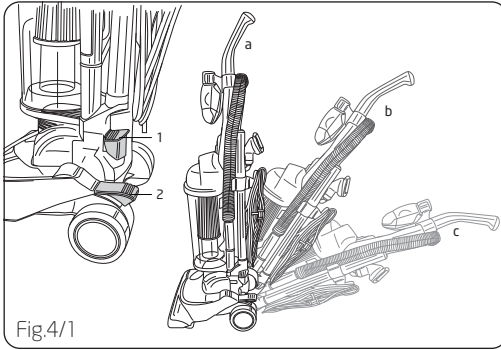


Fig.4/1

! WARNING: This cleaner has a constantly rotating brushbar which, when left in contact with lino, parquet and other hard flooring could potentially cause some damage to the floor surface.

5. Accessories

NOTE: This unit is fitted with a constantly rotating brushbar. To avoid damage to your carpet, ensure the unit is not left on the stair tread when using the accessories.

1. Make sure the vacuum cleaner has been switched off and is in an upright position. Remove the lower hose by twisting clockwise and pulling away from the base of the cleaner.

Remove the hose from the tool holder.

Slide the hose into the lower hose with the tab facing upwards twist together to secure (Fig.5/1).

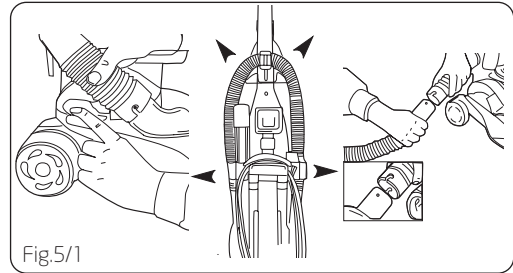


Fig.5/1

2. For hard to reach areas when additional hose length is required, use the extension wand. It fits over the end of the hose handle.

Choose the accessory that suits your need or use the hose alone.

To fit the attachments push them firmly on to the end of the extension wand or hose handle. To remove the tool, twist and pull apart gently.

When moving from one room to another use the carrying handle at the rear of the vacuum cleaner (Fig.5/2).

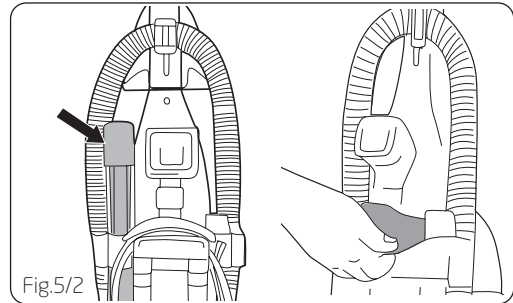
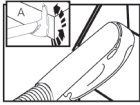


Fig.5/2

Treads and Risers tool (Some models only): for stairs, upholstery and curtains. Twist the head tool for best contact with stair treads and risers.



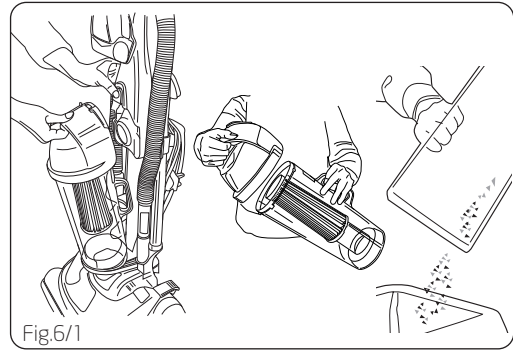
TurboTool (Some models only): Make sure the cleaner is turned off before fastening TurboTool. Attach TurboTool to hose end as all other accessories. For best pick up use backward strokes on the surface being cleaned.

6. Dirt Container and Filter: Removal and Replacement

1. Make sure the vacuum cleaner has been switched off and unplugged from the mains supply. To remove the dirt container from the vacuum cleaner press the release catch and pull it forward.

To remove the lid of the dirt container hold the top and the side handles firmly and turn the lid anti-clockwise. Pull the lid away from the body of the dirt container.

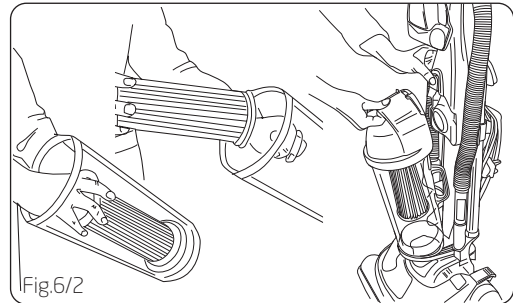
Empty the all the dust and dirt from the dirt container (Fig.6/1).



2. The filter inside the dirt container should be replaced every 12 months. It should be cleaned each time the dirt container is emptied. Remove it by grasping the ring at the top of the filter.

Twist and pull the filter out. To clean it, tap it gently against the side of a dustbin. Do not use a brush to clean it as this may damage the filter. The filters from VS-190P and VS-190C models can be washed by rinsing the outer part only under cold running water. Allow 24 hours to dry before replacing back into vacuum.

Replace the filter into the dirt container. Push it firmly into place to prevent dust and dirt leaking out. Replace the canister lid turning clockwise and return the dust (Fig.6/2).

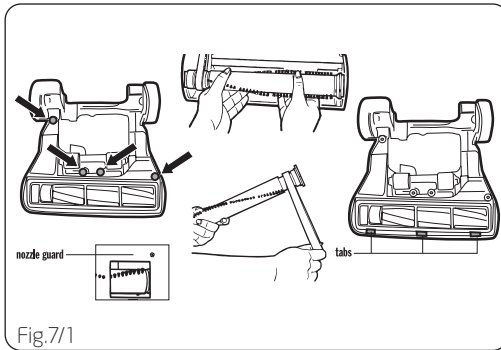


7. Belt and Brush: Removal and Replacement

1. Unplug the vacuum cleaner from the mains supply. Press the handle release button and turn the vacuum cleaner over so that the base lies flat and face up. Use a screwdriver to remove the four retaining screws shown above. Remove the nozzle guard.

Lift and remove the brushbar, then slide the belt off the motor shaft and dispose of it. Place a new belt on the motor shaft and then slip the brushbar through the belt.

The belt should sit on the section of the brushbar without bristles. Re-fit the brushbar. Ensure the end caps are in the correct position. Rotate the brushbar to check the belt is not twisted. Replace the nozzle guard (Fig.7/1).

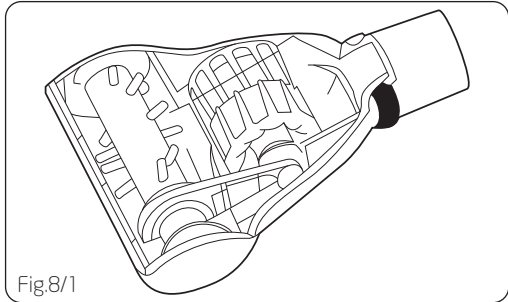


8. Clearing Blockages

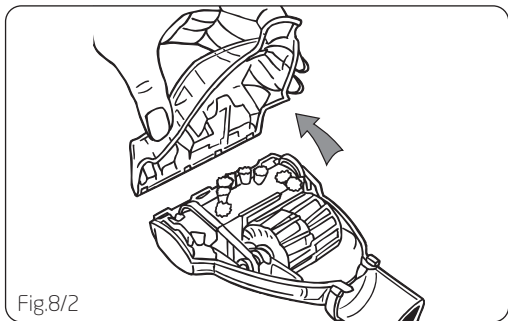
WARNING: To reduce the risk of injury from moving parts, unplug before servicing.

Clearing Blockages from the TurboTool (Some models only)

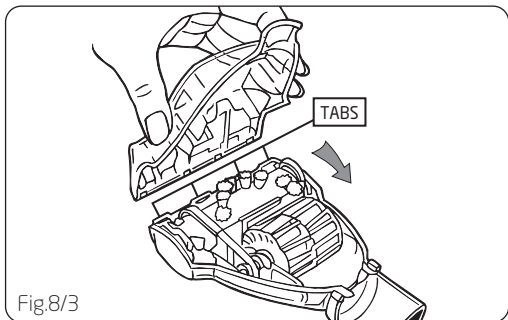
1. Turn the TurboTool over and slide off the O-ring (Fig.8/1).



2. Pivot lowering housing and remove clog (Fig.8/2).



3. To re-assemble, be sure that the tabs are engaged. Pivot the lower housing closed. Slip the O-ring into the groove at the neck of the TurboTool to complete reassembly (Fig.8/3).



9. Troubleshooting

! **WARNING:** To reduce the risk of personal injury, unplug the vacuum cleaner before performing maintenance or troubleshooting checks.

PROBLEM: Vacuum cleaner won't run

Cause: Not properly plugged into electrical outlet.

Solution: Plug in firmly.

Cause: Blown fuse/tripped breaker.

Solution: Reset circuit breaker or replace fuse.

Cause: Thermal cut out.

Solution: Refer to page 3 for information.

PROBLEM: Cleaner won't pick up/loss of suction.

Cause: Lower hose not connected properly.

Solution: Refer to page 4 for fitting information.

Cause: Dirt container not installed correctly, or full.

Solution: Review dirt container replacement.

Cause: Broken or worn belt.

Solution: Replace the belt.

Cause: Clogged filters.

Solution: Remove, clean and replace filters.

Cause: Nozzle/hose or hose inlet is clogged.

Solution: Remove nozzle/hose and obstruction.

PROBLEM: Dust escaping from the vacuum cleaner.

Cause: Dirt container full.

Solution: Empty dirt container.

Cause: Dirt container not installed correctly.

Solution: Review dirt container replacement.

Cause: Hose not installed properly.

Solution: Review vacuum cleaner assembly.

10. UK Service & Help

Vax Careline:

(UK) 0844 412 8455

(ROI) 1-800 928 308

Monday-Friday 8.30am to 6.30pm

Saturday-Sunday 9.00am to 5.00pm

Any queries or concerns about using the Vax, call the Vax Careline. Please make a note of the serial number and model number of the carpet cleaner before calling. For the nearest Service Agent, please call the Vax Careline.

vax.co.uk

11. Technical Specification

Voltage: 220-240V ~50Hz

Wattage: 1500-1800W (depending on model)

Capacity: 3 litres

Filters: HEPA (VS-190, VS-190U, VS-190R, VS190PO, VS-190S)

HEPA, antibacterial and carbon (VS-190P, VS-190APP)

HEPA and carbon (VS-190C)

Cord length: 6-7m

Weight: 6.3kg (approx)

Subject to technical change without notice.



Vax Careline: (UK) 0844 412 8455 (ROI) 1-800 928 308

Notes

vax.co.uk

Notes

Notes



EEC STATEMENT OF COMPLIANCE

Manufacturer/EEC importer: Vax Limited, hereby on our own responsibility, declare that the VS-190 series is manufactured in compliance with the following Directives:

Safety: 2006/95/EC Low Voltage Directive

EMC: 2004/108/EC Electromagnetic Compatibility Directive



Waste electrical products should not be disposed of with household waste. Please recycle where facilities exist. Check with your Local Authority or retailer for recycling advice.

Vax Ltd., Kingswood Road, Hampton Lovett, Droitwich, Worcestershire, WR9 0QH, UK
email: info@vax.co.uk - website: vax.co.uk