

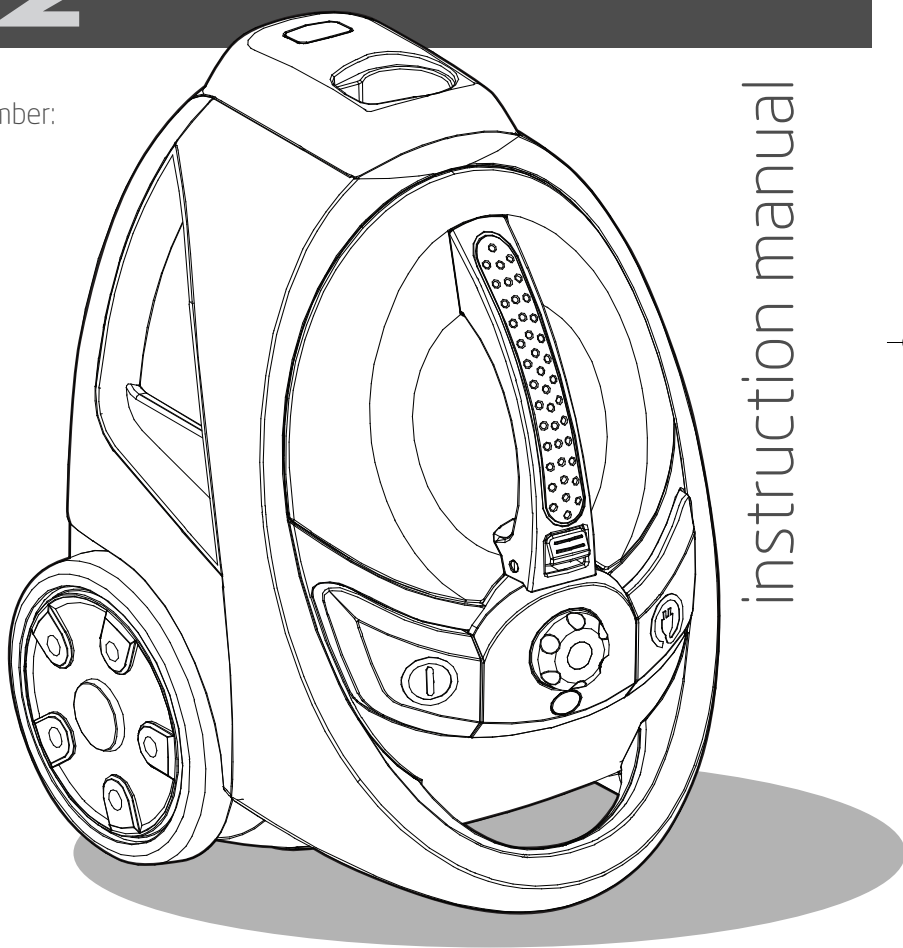


Vax careline
0870 6061248

Bagless cylinder

G:2

Vax model number:
V-107

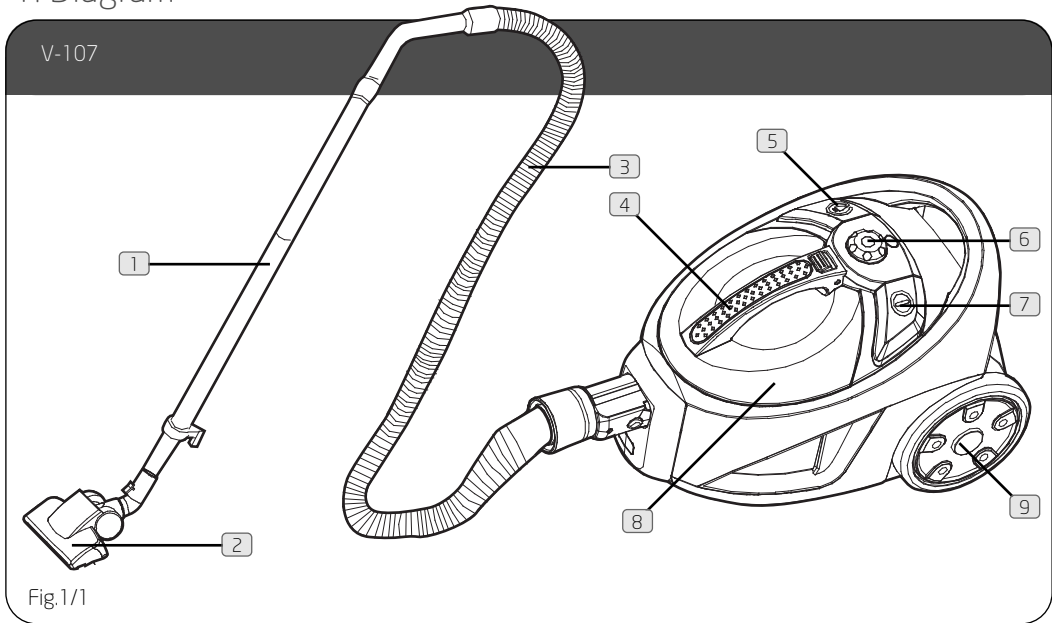


instruction manual

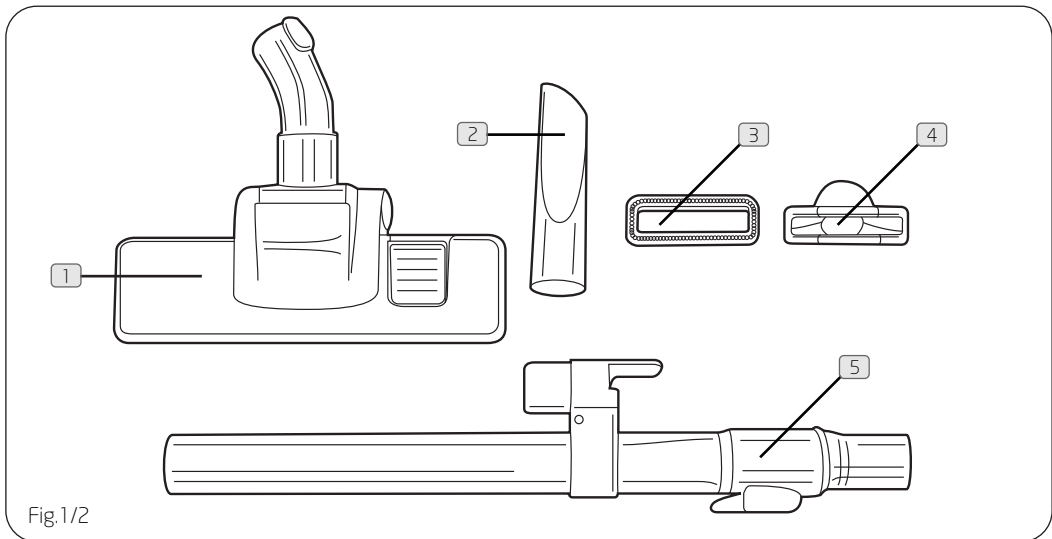
www.vax.co.uk

Please read carefully before using this cleaner.
Always fully extend the mains cable before use.
Retain for future reference.

1. Diagram



- | | | |
|--------------------------|-------------------------|------------------|
| 1 Telescopic tube | 4 Dirt container handle | 7 On/off button |
| 2 Combination floor head | 5 Cord rewind button | 8 Dirt container |
| 3 Flexible hose | 6 Variable power dial | 9 Wheel |



- | | | |
|--------------------------|----------------------------|-------------------|
| 1 Combination floor head | 3 Dusting brush attachment | 5 Telescopic tube |
| 2 Crevice tool | 4 Small vacuuming tool | |

2 parts overview

2. Safety Information

For Household Use Only

When using the vacuum cleaner, basic safety precautions should always be observed, including the following:

1. Only use the vacuum cleaner indoors on dry surfaces.
2. Turn off the vacuum cleaner controls before connecting or disconnecting from the mains supply.
3. Always unplug the vacuum cleaner before connecting or disconnecting the vacuum hose and accessories.
4. Close attention is necessary when used by or near children. Do not allow children to use as a toy.
5. Use only as described in this manual. Use only the manufacturer's recommended attachments.
6. Do not use the vacuum cleaner if it has been dropped, damaged, left outdoors or dropped into water. Do not use the vacuum cleaner with a damaged cord or plug. If the supply cord or plug is damaged, return the vacuum cleaner to a Vax Authorised Service Agent or suitably qualified person for examination, repair or adjustment.
7. Do not pull or carry by the cord. Do not use the cord as a handle, close a door on the cord or pull the cord around sharp edges or corners. Do not run the vacuum cleaner over the cord. Keep the cord away from heated surfaces.
8. Do not handle the plug or vacuum cleaner with wet hands. Do not use outdoors or on wet surfaces.
9. Do not put any objects into openings. Do not use with any openings blocked and do not restrict air flow. Keep all openings free of dust, lint, hair or anything that may reduce airflow.
10. Keep hair, loose clothing, fingers and all parts of the body away from openings and moving parts.
11. Do not pick up hot coals, cigarette butts, matches or any hot, smoking or burning objects.
12. Do not pick up flammable or combustible materials (lighter fluid, petrol, kerosene, etc) or use in the presence of explosive liquids or vapours.
13. Do not vacuum up harmful or toxic material (chlorine bleach, ammonia, drain cleaner, etc).
14. Do not vacuum up hard or sharp objects such as glass, nails, screws, coins, etc.
15. Do not use without the filters in place.
16. Take extra care when vacuuming on stairs.

17. Keep vacuuming area well lit.
18. Store the vacuum cleaner indoors in a cool, dry area.
19. Turn off the on/off switch before unplugging the vacuum cleaner.
20. Use only CE-approved 13 amp extension cords. Non-approved extension cords may overheat. Care should be taken to arrange the cord so that the cord cannot be pulled or tripped over.

! WARNING: Always switch off and unplug the vacuum cleaner from the electrical outlet before assembling, opening or emptying the dirt container, or before connecting/disconnecting the attachments.

! CAUTION: The vacuum cleaner is a very powerful unit. Before plugging the cord into the electrical outlet, make sure the switch is in the 'off' position. Hold the vacuum cleaner firmly when starting and in use.

! IMPORTANT: If the inlet, hose or telescopic tube is blocked, switch off the vacuum cleaner and remove the blockage(s) before re-starting the vacuum cleaner.

! IMPORTANT: Washing filters improved vacuum performance. Make sure all the filters are completely dry before inserting back into the vacuum cleaner.

This vacuum cleaner is intended for household use only and not for commercial or industrial use.

Motor Thermostat

IMPORTANT: The motor is equipped with a thermal cut-out. If for any reason, the vacuum cleaner should over-heat, the thermostat will automatically turn the unit off. Should this occur, unplug the vacuum cleaner from the electrical outlet and turn off the switch. Remove the dirt container and empty. Clean the filters. Allow the cleaner to cool for approximately one (1) hour. To re-start, plug into an electrical outlet and switch back on.

3. How to Assemble

! **IMPORTANT:** Always unplug the vacuum cleaner from the electrical outlet before assembling or removing the accessories.

Tool required: Phillips screwdriver

Insert the flexible hose into the inlet on the main body of the vacuum cleaner. Push in until it clicks into position (Fig.3/1).

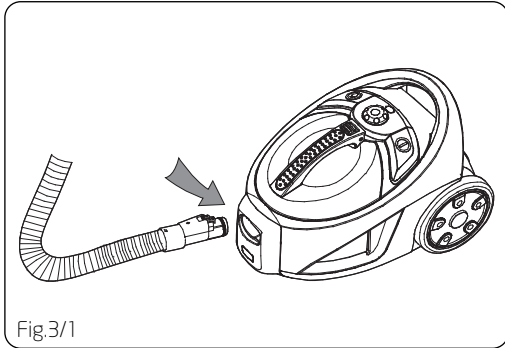


Fig.3/1

Push the telescopic tube onto the end of the handle (Fig.3/2).

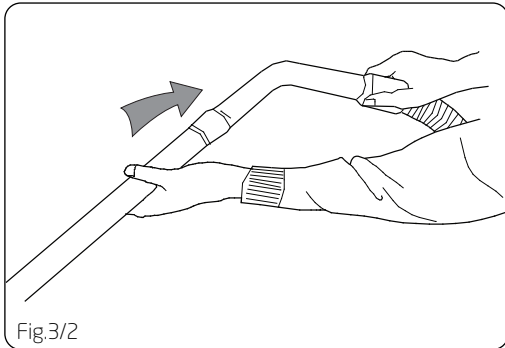


Fig.3/2

The telescopic tube can be lengthened or shortened by pushing the button in and sliding the tube apart or together as required (Fig.3/3).

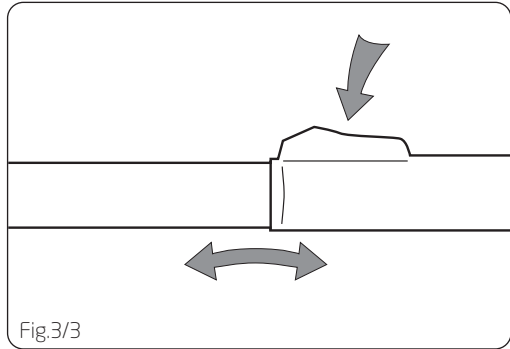


Fig.3/3

4. Fit the combination floor head by pushing on to the telescopic tube tube (Fig.3/4).

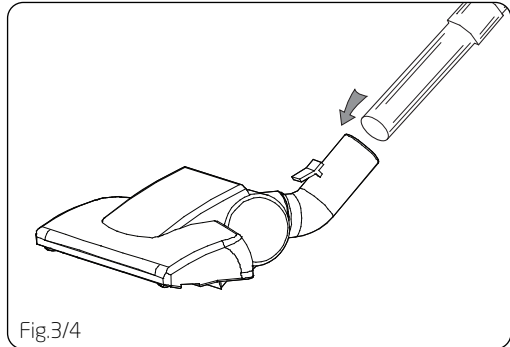


Fig.3/4

4. How to Operate

Cord Release

Fully unwind the power cord. A yellow mark on the power cord indicates the recommended cord length. Do not exceed the cord length beyond the red mark.

On/Off Button

Insert the power plug into the electrical outlet. Ensure the vacuum cleaner is switched off.

Press the on/off button located on the top of the vacuum cleaner and press the button again to turn the vacuum cleaner off.

Carpet Cleaning

For carpet and rug cleaning press the rocker switch on the combination floor head to raise the brushes.

Hard floor cleaning

For hard floor cleaning, press the rocker switch on the combination floor head to lower the brushes.

Variable Power

Located between the cord rewind button and the on/off button there is a variable power dial. Rotate this dial to adjust the suction power.

Combination floor head storage

For convenience there is a slot located behind the on/off button and on the underside of the vacuum cleaner where the combination floor head can be parked when not in use.

Carry handle

Use the carry handle located behind the cord rewind button and on/off button to move the vacuum cleaner from room to room.

NOTE: The handle on the dirt container should not be used to carry the vacuum cleaner from room to room.

Dirt Container

To empty the dirt container, remove the flexible hose from the hose inlet. Press the locking button (Fig.4/1).

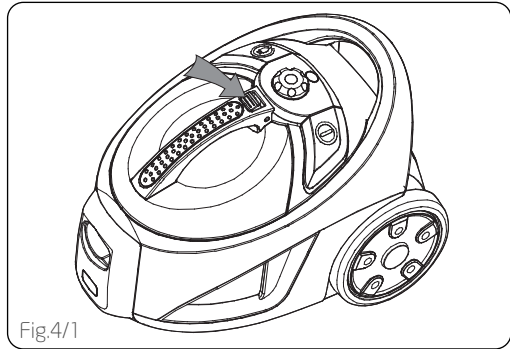


Fig.4/1

Lift the dirt container handle and take out the dirt container (Fig.4/2).

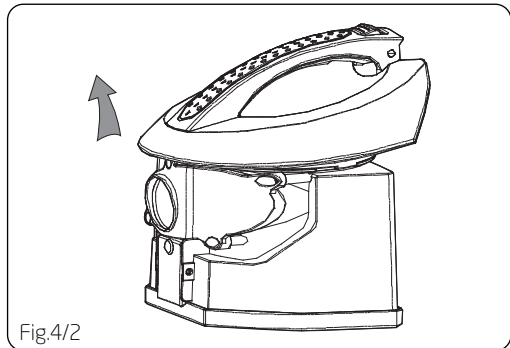


Fig.4/2

Position the dirt container over a rubbish bin and press the dirt container release catch (Fig.4/3).

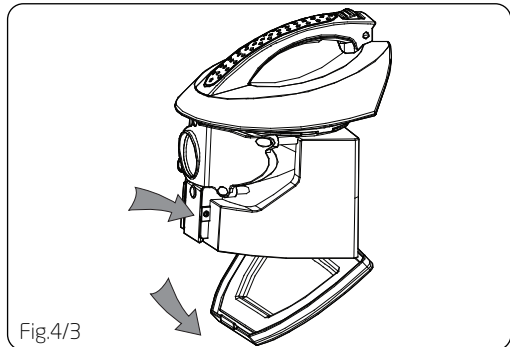


Fig.4/3

Close the dirt container bottom and replace in the unit.

www.vax.co.uk

5. Accessories

The accessories can be attached directly to the handle by removing the telescopic tube and pushing in the desired accessory.

The accessories can also be attached to the telescopic tube for extra reach. Remove the combination floor head and push on the desired accessory.

Crevice Tool

Use the crevice tool for crevices, corners and cracks, etc.

Small Vacuuming Tool

For carpet, upholstery and stair cleaning.

Dusting Brush Attachment

Slide the attachment on to the small vacuuming tool for use on furniture and delicate surfaces.

6. Dirt Container & Filter: Removal and Replacement

! WARNING: Always unplug the vacuum cleaner from the electrical outlet before removing the dirt container.

! WARNING: Do NOT use the vacuum cleaner without ALL of the filters in place.

NOTE: For best performance, replace filters annually.

Cleaning the Central Filter

Remove the dirt container.

Rotate the base of the dirt container whilst holding the top of the dirt container (Fig.6/1).

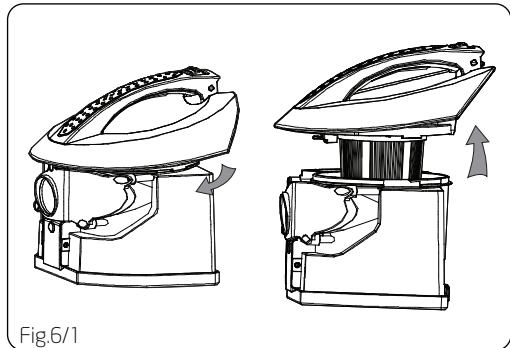


Fig.6/1

Rotate the central filter and pull away from the dirt container lid (Fig.6/2).

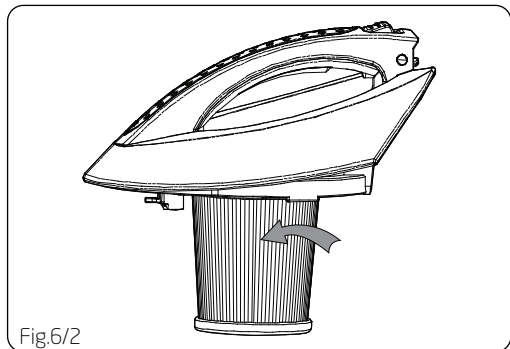


Fig.6/2

Gently tap the filter against the side of a rubbish bin to remove excess dirt.

The central filter can be washed in warm water (max 40°). Allow to air dry for at least 24 hours before replacing (Fig.6/3).

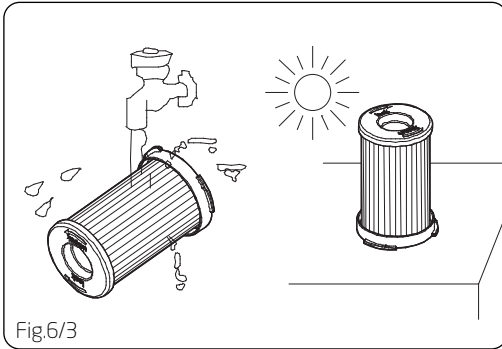


Fig.6/3

NOTE: Do NOT use any detergents or boiling water to wash the filter. Vax recommends washing the filter every time you empty the dirt container.

Return the central filter to the dirt container and twist until the filter is secure.

Return the dirt container to the vacuum cleaner.

Cleaning the Post-Motor Filter

NOTE: This is located at the back of the vacuum cleaner

Release the post-motor cover by pressing in the catch at the top of the cover.

Remove the filter by pulling the filter away from the casing (Fig.6/4).

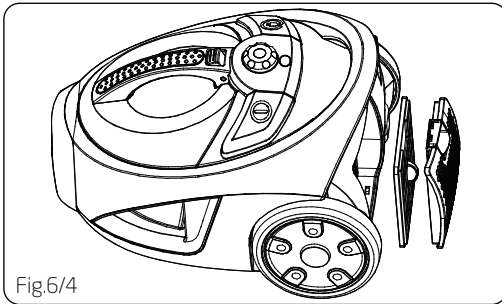


Fig.6/4

The post-motor filter can be rinsed in warm water (max 40°C). Allow to air dry for at least 24 hours before replacing.

NOTE: Do NOT use any detergents or boiling water to wash the filter. Vax recommends washing the filter every 4 weeks.

Replace the post-motor filter in the case and re-fit to the back of the vacuum cleaner.

7. Clearing Blockages

! WARNING: To reduce the risk of electric shock, the power cord must be disconnected before performing maintenance or troubleshooting checks.

Turn the vacuum cleaner off and unplug from the electrical outlet.

The flexible hose can be disconnected from the vacuum cleaner by pushing in the button on the hose and pulling away from the machine. Remove any blockages found then re-connect the hose securely.

8. Storage

! **IMPORTANT:** Always unplug the vacuum cleaner from the electrical outlet and rewind the power cord as directed before storing.

NOTE: Always store the vacuum cleaner base down.

9. Troubleshooting

! **WARNING:** To reduce the risk of personal injury, unplug the vacuum cleaner before performing maintenance or troubleshooting checks.

PROBLEM: Vacuum cleaner won't run

Cause: Not properly plugged into electrical outlet.

Solution: Plug in securely.

Cause: No electricity in the electrical outlet.

Solution: Check fuse or breaker.

Cause: On/off switch not turned on.

Solution: Push on/off switch to 'on'.

Cause: Motor thermostat has tripped.

Solution: Switch off and unplug the vacuum cleaner. Leave for one (1) hour before switching the vacuum cleaner back on.

Cause: Blown fuse/tripped breaker.

Solution: Reset circuit breaker or replace fuse.

PROBLEM: Cleaner won't pick up/loss of suction.

Cause: Dirt container not installed properly.

Solution: Review dirt container replacement.

Cause: Dirt container full or blocked.

Solution: Empty dirt container.

Cause: Clogged filters.

Solution: Remove, clean and replace filters.

PROBLEM: Accessories won't pick up.

Cause: Accessories are not attached correctly.

Solution: Refer to section 5.

PROBLEM: Dust escaping from the vacuum cleaner.

Cause: Dirt container full.

Solution: Empty dirt container.

Cause: Dirt container not installed correctly.

Solution: Review dirt container replacement.

Cause: Filter not installed completely.

Solution: Remove, clean and replace filters.

10. UK Service & Help

Vax Care 0870 6061248

Monday-Friday 9.00am to 5.00pm.

An answerphone is available outside of these hours. Any queries or concerns about using the Vax, call the Vax Careline. Calls are charged at the UK national rate.

Please make a note of the serial number and model number of the carpet cleaner before calling. There are over 400 approved Vax Service Agents in the UK. For the nearest Service Agent, please call the Vax Careline.

www.vax.co.uk

11. Technical Specification

Voltage:	220-240V ~50Hz
Wattage:	1800W
Capacity:	1.4L
Filters:	Central filter - washable Post-motor filter - washable
Cord length:	6m
Weight:	6.8kg

Subject to technical change without notice.



www.vax.co.uk

This page has been left intentionally blank

This page has been left intentionally blank



EEC STATEMENT OF COMPLIANCE

Manufacturer/EEC importer: Vax Limited, hereby on our own responsibility, declare that the V-107 G:2 bagless cylinder is manufactured in compliance with the following Directives:

Safety: 73/23/EEC Low Voltage Directive

EMC: 89/336/EEC Electromagnetic Compatibility Directive



Waste electrical products should not be disposed of with household waste. Please recycle where facilities exist. Check with your Local Authority or retailer for recycling advice.

Vax Ltd., Kingswood Road, Hampton Lovett, Droitwich, Worcestershire, WR9 0QH, UK
email: info@vax.co.uk - website: www.vax.co.uk