

## EEC STATEMENT OF COMPLIANCE

Manufacturer/EEC importer: Vax Limited, hereby on our own responsibility, declares that the product **V-074** bagged cylinder is manufactured in compliance with the following Directives:

**Safety:** 73/23/EEC Low Voltage Directive

**EMC:** 89/336/EEC Electromagnetic Compatibility Directive



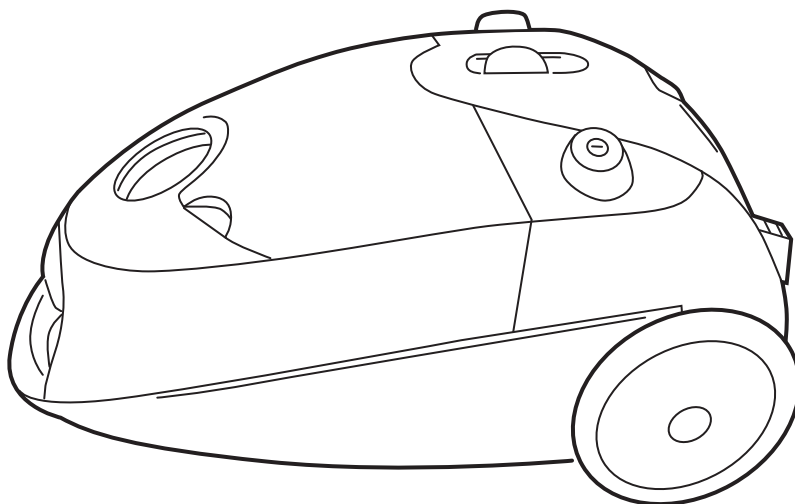
Waste electrical products should not be disposed of with household waste. Please recycle where facilities exist. Check with your Local Authority or retailer for recycling advice.

**Vax Ltd., Kingswood Road, Hampton Lovett, Droitwich, Worcestershire WR9 0QH, UK**  
email: [info@vax.co.uk](mailto:info@vax.co.uk) - website: [www.vax.co.uk](http://www.vax.co.uk)



[www.vax.co.uk](http://www.vax.co.uk)

**Vax Careline:  
0870 6061248**



**BAGGED CYLINDER VACUUM CLEANER**  
**Vax Model Number: V-074**

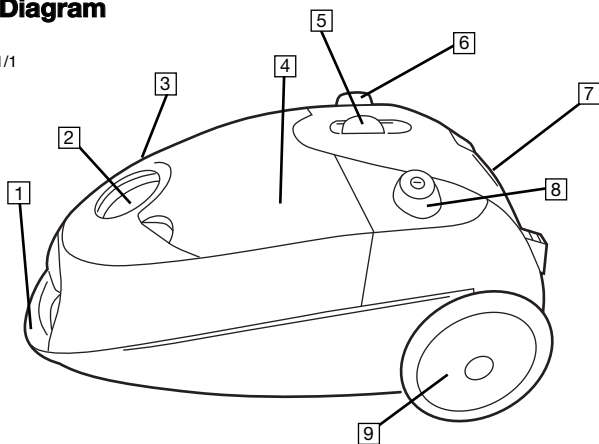
Please read carefully before using the cleaner. Always fully extend the mains cable before use.

**Instruction Manual**

Parts Overview

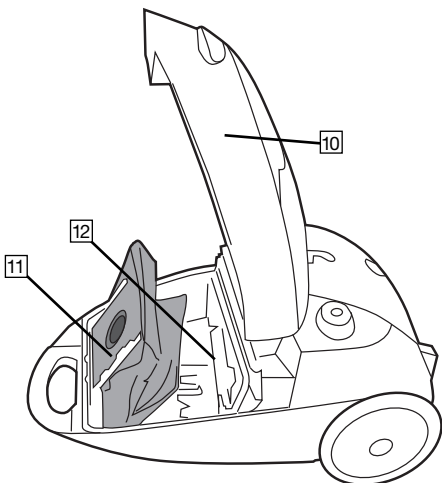
**1. Diagram**

Fig.1/1



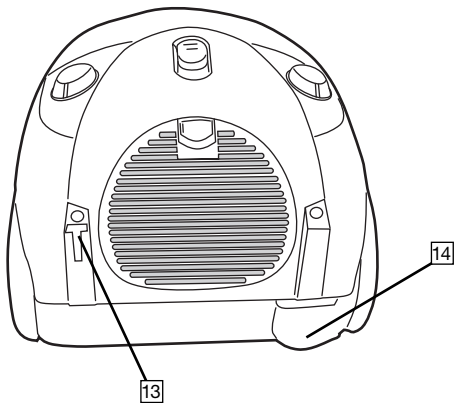
- 
- 1 Carry handle
  - 2 Hose Inlet
  - 3 Bag full Indicator
  - 4 Tool storage (Inside machine)
  - 5 Variable power switch
  - 6 On/off button
  - 7 Post-motor filter cover
  - 8 Cable rewind
  - 9 Wheel
- 

Fig.1/2



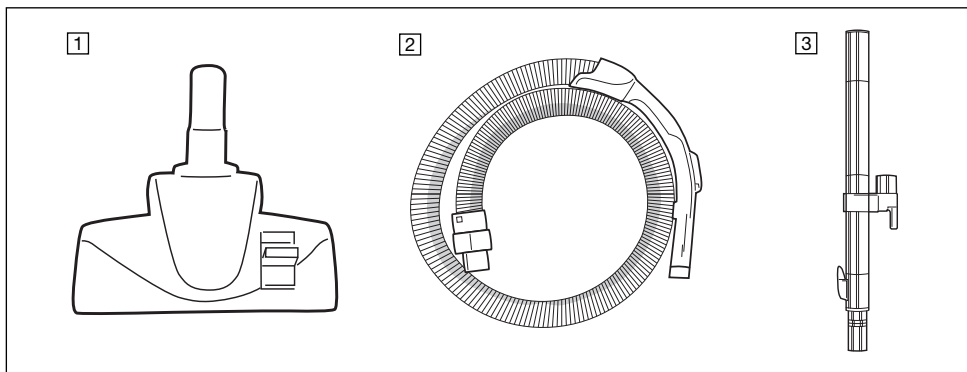
- 
- 10 Top cover
  - 11 Paper dust bag
  - 12 Pre-motor filter
- 

Fig.1/3

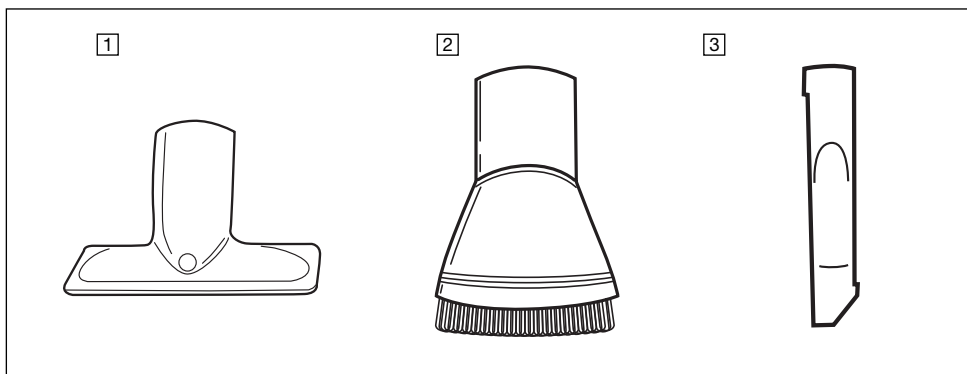


- 
- 13 Parking slot
  - 14 Plug
-

## Accessories



- 1 Combination floor head
- 2 Hose
- 3 Telescopic extension tubes



- 1 Upholstery tool
- 2 Dusting brush
- 3 Crevice tool

## 2. Safety Information

**FOR HOUSEHOLD USE ONLY.** When using the vacuum cleaner, basic safety precautions should always be observed, including the following:

1. Only use the vacuum cleaner indoors on dry surfaces.
2. Turn off the vacuum cleaner controls before connecting to or disconnecting from the mains supply.
3. Always unplug the vacuum cleaner before connecting or disconnecting the vacuum hose.
4. Close attention is necessary when used by or near children. Do not allow children to use as a toy.
5. Use only as described in this manual. Use only the manufacturer's recommended attachments.
6. Do not use the vacuum cleaner if it has been dropped, damaged, left outdoors or dropped into water. Do not use the vacuum cleaner with a damaged cord or plug. If the supply cord or plug is damaged, return the vacuum cleaner to a Vax Authorised Service Agent or suitably qualified person for examination, repair or adjustment.
7. Do not pull or carry by the cord. Do not use the cord as a handle, close a door on the cord or pull the cord around sharp edges or corners. Do not run the vacuum cleaner over the cord. Keep the cord away from heated surfaces.
8. Do not handle the plug or vacuum cleaner with wet hands. Do not use outdoors or on wet surfaces.
9. Do not put any objects into openings. Do not use with any openings blocked and do not restrict air flow. Keep all openings free of dust, lint, hair or anything that may reduce airflow.
10. Keep hair, loose clothing, fingers and all parts of the body away from openings and moving parts.
11. Do not pick up hot coals, cigarette butts, matches or any hot, smoking or burning objects.
12. Do not pick up flammable or combustible materials (lighter fluid, petrol, kerosene, etc) or use in the presence of explosive liquids or vapours.
13. Do not vacuum up harmful or toxic material (chlorine bleach, ammonia, drain cleaner, etc).
14. Do not vacuum up hard or sharp objects such as glass, nails, screws, coins, etc.
15. Do not use without the filters in place.
16. Take extra care when vacuuming on stairs.

17. Keep vacuuming area well lit.

18. Store the vacuum cleaner indoors in a cool, dry area.

19. Turn off the switch before unplugging.

20. Use only CE-approved 13 amp extension cords. Non-approved extension cords may overheat. Care should be taken to arrange the cord so that the cord cannot be pulled or tripped over.

**WARNING:** Always switch off and unplug the vacuum cleaner from the electrical outlet before assembling, opening or emptying the dust bag, or before connecting/disconnecting the attachments.

**CAUTION:** The vacuum cleaner is a very powerful unit. Before plugging the cord into the outlet make sure the switch is in the 'off' position. Hold the vacuum cleaner firmly when starting and in use.

**IMPORTANT:** If the inlet or hose is blocked, switch off the vacuum cleaner and remove the blockage(s) before re-starting the vacuum cleaner.

**IMPORTANT:** Washing filters and changing the dust bag improves vacuum performance. Make sure all filters are completely dry before inserting back into the vacuum cleaner.

This vacuum cleaner is intended for household use only and not for commercial or industrial use.

**PLEASE KEEP THESE INSTRUCTIONS FOR FURTHER USE.**

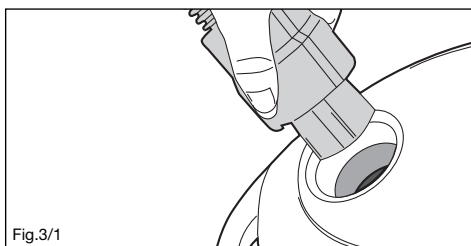
### Motor Thermostat

**IMPORTANT:** The motor is equipped with a thermal cut-out. If for any reason, the vacuum cleaner should over-heat, the thermostat will automatically turn the unit off. Should this occur, unplug the vacuum cleaner from the electrical outlet and turn off the switch. Remove the dirt container and empty. Clean the filters. Allow the cleaner to cool for approximately one (1) hour. To re-start, plug into an electrical outlet and switch back on.

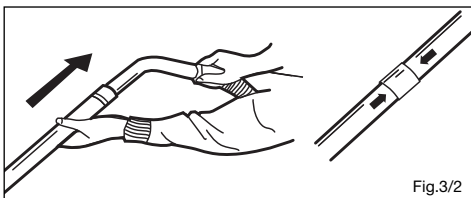
### 3. How to Assemble

**IMPORTANT:** Always unplug the vacuum cleaner from the electrical outlet before assembling or removing the accessories.

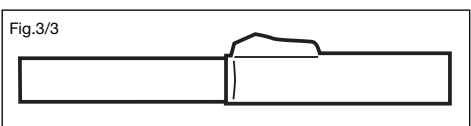
1. Insert the flexible hose into the inlet on the main body of the vacuum cleaner. Push in until it clicks into position (Fig.3/1).



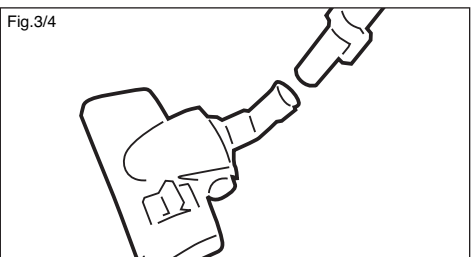
2. Push the telescopic extension tube on to the end of the handle (Fig.3/2).



3. The telescopic extension tube can be lengthened or shortened by pushing the button in and sliding the tube apart or together as required (Fig.3/3).



4. Fit the combination floor head by pushing onto the extension tube (Fig. 3/4).



### 4. How to Operate

#### Cord Release

Fully unwind the power cord. A yellow mark on the power cord indicates the recommended cord length. Do not exceed the cord length beyond the red mark.

#### On/off Button

1. Insert the power plug into the electrical outlet. Make sure the vacuum cleaner is switched off.
2. Press the on/off switch located on the top of the vacuum cleaner, to switch on the vacuum cleaner and press the button again to turn the vacuum cleaner off.

#### Carpet Cleaning

For carpet and rug cleaning, press the rocker switch on the combination floor head to raise the brushes.

#### Hard Floor Cleaning

For hard floor cleaning, press the rocker switch on the combination floor head to lower the brushes.

#### Cord Rewind

To rewind the power cord, press the cord rewind button, located on the top of the vacuum cleaner, and guide the power cord with one hand. This will prevent the cord from whipping which could cause damage or injury.

#### Variable Power

Located between the on/off and cord rewind buttons there is a variable power switch. Slide this forwards and backwards to adjust the suction power.

#### Carry Handle

Use the carry handle located at the front of the vacuum cleaner to move from room to room.

#### Hose Storage

For convenience, there is a slot located at the back of the vacuum cleaner where the floor tool and hose can be parked for carrying and storage.

### 5. Accessories

1. The accessories can be attached directly to the handle by removing the telescopic tubes and pushing in the desired accessory.
2. The accessories can also be attached to the telescopic extension tube for extra reach. Remove the combination floor head and push on the desired accessory.

**Crevice tool:** for crevices, corners and cracks, etc.

**Dusting brush:** for delicate surfaces.

**Upholstery tool:** for carpet, upholstery, stairs, etc.

## 6. Dirt Container & Filters: Removal & Replacement

**IMPORTANT:** Always unplug the vacuum cleaner from the electrical outlet before removing the dust bag.

**IMPORTANT:** Do NOT use the vacuum cleaner without ALL of the filters in place.

**IMPORTANT:** The vacuum cleaner is equipped with a bag full indicator. If the indicator turns red, the bag will need to be changed.

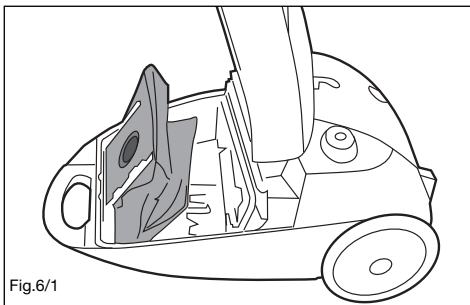


Fig.6/1

1. Turn off the vacuum cleaner and unplug from the electrical outlet. Lift up the top cover to gain access to the dust bag compartment. (Fig.6/1)

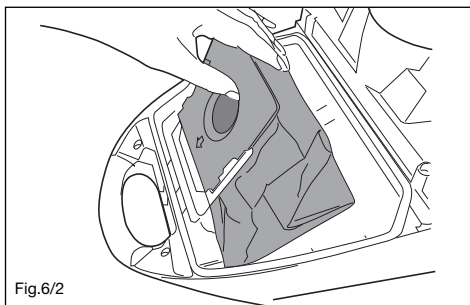


Fig.6/2

2. Push in the tab to unlock the bag from position and lift out. (Fig.6/2)

3. Dispose of the full dust bag and insert a new dust bag. Click into place, then close the top cover.

### Pre Motor Filter:

1. Turn off the vacuum cleaner and unplug from the electrical outlet. Lift up the top cover to gain access to the dust bag compartment.

2. Lift out the pre-motor filter situated at the back of the compartment (Fig.6/3) and replace with new one.

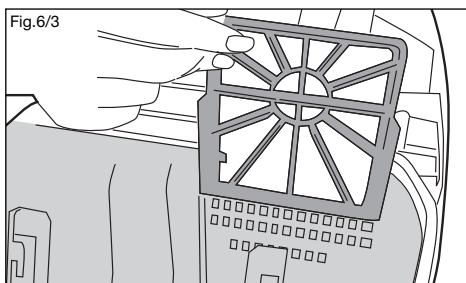


Fig.6/3

**N.B.** Vax recommend replacing the filter after 5 bag changes or when it appears soiled.

### Post Motor Filter:

1. Turn off the vacuum cleaner and unplug from the electrical outlet.

2. Located at the rear of the vacuum cleaner is the post-motor filter. This can be removed (Fig.6/4) and replaced with a new one.

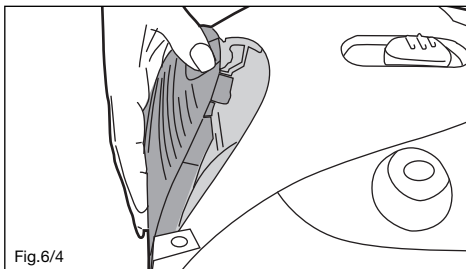


Fig.6/4

**N.B.** Vax recommend replacing the filter every 4-6 months, when the bag has been emptied 5 times, when appearance is soiled or when loss of suction is experienced (whichever is sooner).

## 7. Clearing Blockages

**WARNING:** To reduce the risk of electric shock, the power cord must be disconnected before performing maintenance/troubleshooting checks.

1. Switch the vacuum cleaner off and disconnect the power plug from the electrical outlet.

2. The flexible hose can be disconnected from the vacuum cleaner by pushing in the button on the hose and pulling away from the machine. (Fig.7/1). Remove any blockages found then reconnect the hose securely.

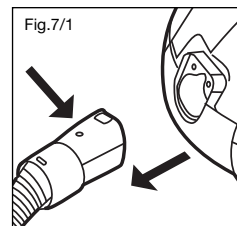


Fig.7/1

## 9. Troubleshooting

**WARNING:** TO REDUCE RISK OF PERSONAL INJURY, UNPLUG VACUUM CLEANER BEFORE SERVICING

### PROBLEM: Cleaner won't run

**Cause:** Not properly plugged into electrical outlet.

**Solution:** Plug in firmly.

**Cause:** No electricity in electrical outlet.

**Solution:** Check fuse or breaker.

**Cause:** On/off switch not turned on.

**Solution:** Push on/off switch to on.

**Cause:** Motor thermostat has tripped.

**Solution:** Switch off and unplug cleaner. Leave for one (1) hour before switching the cleaner back on.

**Cause:** Blown fuse/tripped breaker.

**Solution:** Reset circuit breaker or replace fuse.

### PROBLEM: Vacuum cleaner won't pick up/loss of suction

**Cause:** Dust bag not installed correctly.

**Solution:** Review dust bag removal and replacement.

**Cause:** Dust bag full or blocked.

**Solution:** Replace dust bag.

**Cause:** Clogged filter.

**Solution:** Remove filter and clean.

**Cause:** Blockage in hose.

**Solution:** Disconnect hose, remove obstruction and then re-fit.

### PROBLEM: Accessories won't pick up

**Cause:** Accessories not attached correctly.

**Solution:** Refer to page 5 for fitting information.

### PROBLEM: Dust escaping from the vacuum cleaner

**Cause:** Dust bag full.

**Solution:** Dispose of dust bag and replace with a new one.

**Cause:** Dust bag not installed correctly.

**Solution:** Review dust bag removal and replacement.

**Cause:** Hose not installed correctly.

**Solution:** Review hose installation.

**Cause:** Filter not installed completely.

**Solution:** Review filter removal and replacement.

## 10. UK Service & Help

### Vax Care 0870 6061248

Monday-Friday, 9.00am to 5.00pm.

An answerphone will be available out of these hours. Any queries or concerns about using your Vax, call the Vax Careline. Calls are charged at the UK national rate.

Please make a note of the model number and serial number of your Vax before calling. There are over 400 approved Vax Service Agents in the UK. For the nearest Vax Service Agent, please call the Vax Careline or visit [www.vax.co.uk](http://www.vax.co.uk)

[www.vax.co.uk](http://www.vax.co.uk)

## 11. Technical Specification

Voltage: 240V ~50Hz

Wattage: 1800W

Capacity: 2.6 litres

Filters: Fibre pre-motor filter

Fibre post-motor filter

Cord length: 4.6m

Weight: 6.3kg

Subject to technical change  
without notice.

