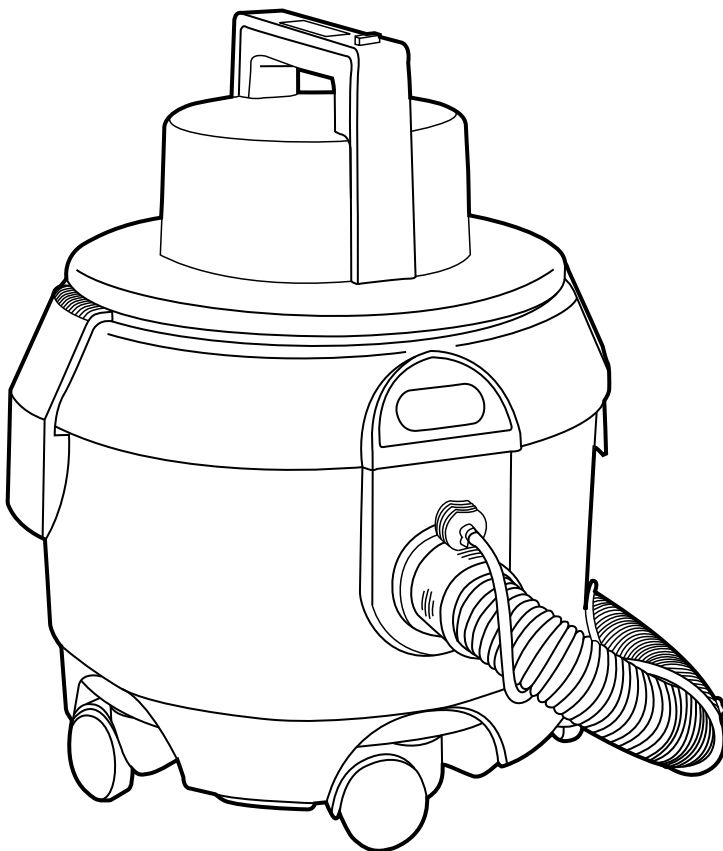




www.vax.co.uk

**Vax Careline:
0870 6061248**



**wash
Vax**

Carpet Washer

Vax Model Number: V-020

Please read carefully before using the cleaner. Always fully extend the mains cable before use. Please retain these instructions for future reference.

Instruction Manual

Parts Overview

1. Diagram

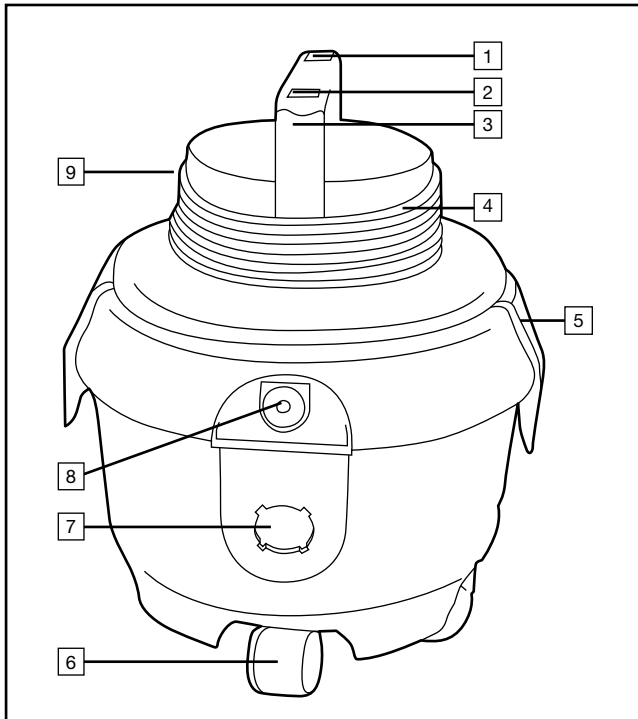


Fig.1/1

1. Power Button (Red)
2. Water Pump Button (Green)
3. Carry Handle
4. Power Cord
5. Container Release Clips
6. Casters
7. Hose Connection Port
8. Solution Tube Port
9. Exhaust Filter
10. Hose
- 10a. Hose Cylinder Connector
11. Solution Tube
- 11a. Solution Tube Connector
12. Fibreflow Wash Head
13. Upholstery Wash Tool
14. Vax AAA Carpet Cleaner

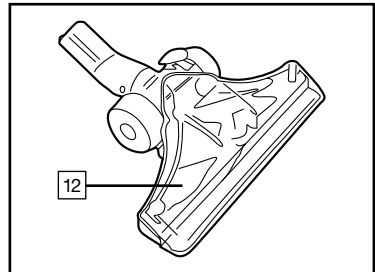


Fig.1/3

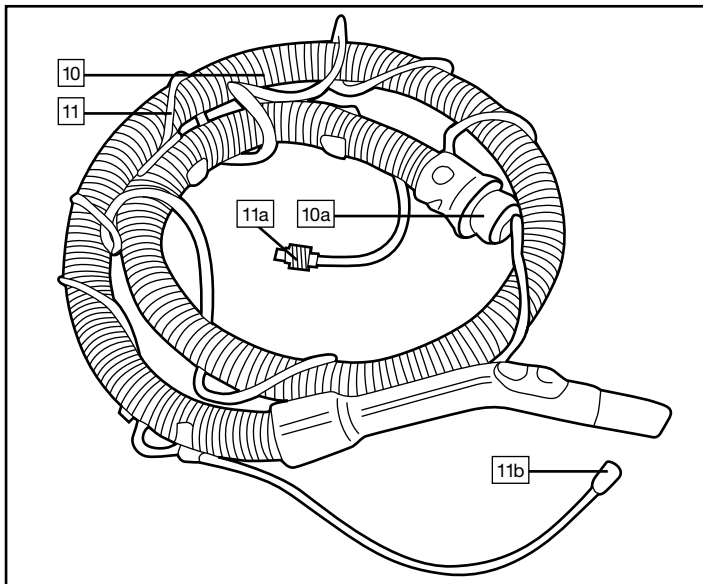


Fig.1/2

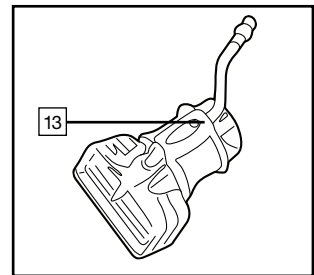


Fig.1/4

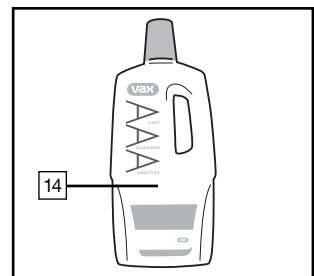


Fig.1/5

2. Safety Information

FOR HOUSEHOLD USE ONLY

When using the carpet washer, basic safety precautions should always be observed, including the following:

1. Do not leave the carpet washer unattended when plugged in. Unplug it from socket when not in use.
2. To prevent electric shock do not use outdoors.
3. Not to be used as a toy. Close supervision is necessary when used by or near children or the infirm.
4. Use only as described in this manual.
5. Do not use with a damaged cord or plug. If the supply cord and/or plug is damaged, they must be replaced by the manufacturer, a Vax Service Agent or similarly qualified persons in order to avoid hazard.
6. Do not pull or carry by the cord, use the cord as a handle, allow the cord to come into contact with hot or sharp surfaces or close a door on the cord.
7. Do not unplug by pulling on the cord.
8. Do not handle the plug or carpet washer with wet hands.
9. Do not put any objects into openings or operate with openings blocked, keep them free of anything that may reduce airflow.
10. Keep hair, loose clothing, fingers and all parts of the body away from openings and moving parts.
11. Do not use the carpet washer on any glowing, burning or smoking particles.
12. Do not use without the solution tank and dirty water tank in place.
13. Turn off all controls before unplugging.
14. Do not use to pick up flammable or combustible liquids such as petrol, or use in areas where they may be present.
15. Keep the carpet washer on the floor.
16. Do not use an extension cord.
17. Do not attempt to remove blockages with sharp objects as they may cause damage.
18. Store indoors put away after use to prevent tripping accidents.
19. Using improper voltage may result in damage to the motor and possible injury to the user. The correct voltage is listed on the rating label.
20. A hazard may occur if the carpet washer runs over the power supply cord.

NOTE: Carpets should be dry vacuumed thoroughly before washing.

NOTE: If the supply cord is damaged, it must be replaced by the manufacturer, a Vax service agent

or similarly qualified persons in order to avoid hazard.

NOTE: The carpet washer must be unplugged from the mains socket outlet after use, and before cleaning or maintaining the carpet washer.

IMPORTANT: This carpet washer is not intended for commercial use.

3. Preparing the Carpet

IMPORTANT: DO NOT USE THE CARPET WASHER AS A DRY VACUUM.

1. Vacuum carpet thoroughly. Use a vacuum cleaner with a revolving brushbar for best results.
2. Remove as much furniture from the room as possible. If unable to remove the furniture, place plastic or foil under and around the legs until the carpet has dried completely.

HELPFUL HINTS FOR CLEANING CARPET:

1. Only use Vax AAA Carpet Cleaner with this carpet washer.
2. Do not oversaturate carpet with cleaning solution while using the carpet washer.
3. For heavily soiled areas, additional applications may be necessary.
4. Allow plenty of time to dry carpet thoroughly.
5. Wipe cleaning solution from woodwork and wood to prevent any damage.
6. Try not to walk on carpet until it is completely dry.
7. After carpet is thoroughly dry, vacuum the carpet using a vacuum cleaner with a revolving brushbar.
8. Before cleaning, determine where to start and end, making sure not to walk over previously cleaned areas.

CHECK FOR COLOUR FASTNESS:

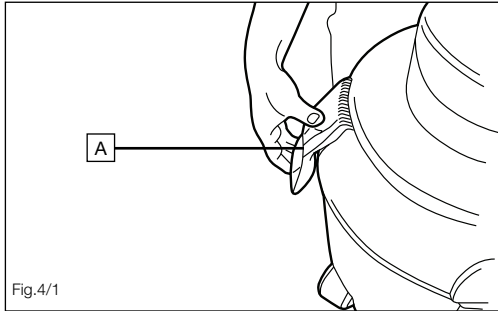
Before cleaning carpet, test for colour fastness. Dampen a white cloth with solution. Test a small area in a closet. Gently rub the cloth over the area. Check each colour for colour bleeding. If the cloth remains clean, it should be safe to clean the carpet.

AFTER CLEANING:

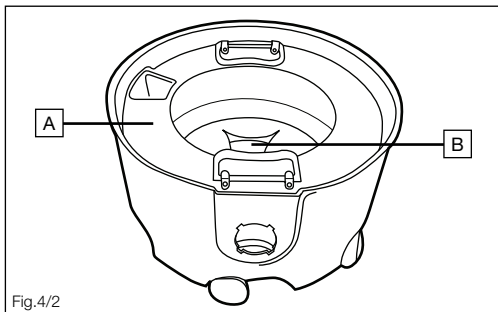
- Allow carpet to dry completely. Try not to walk on the carpet until it is dry.
- If it is necessary to walk on the carpet, place white towels on the areas to be walked on.
- If the carpet is not dry and the furniture must be placed back in the room, use plastic or foil under the furniture to prevent staining the carpet.
- Thoroughly clean the dirty water tank with warm (max 40°C) tap water.

4. Preparing the Machine

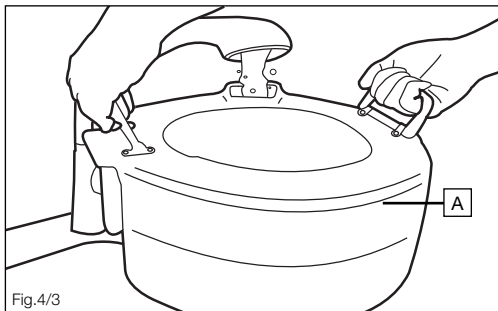
1. Unclip Container Release Clips (A) on both sides of machine (Fig.4/1).



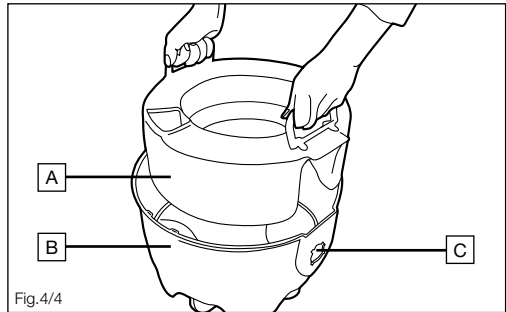
2. Lift off Motor Container to reveal Clean Water Tank (A) situated inside Dirty Water Tank (B) (Fig.4/2).



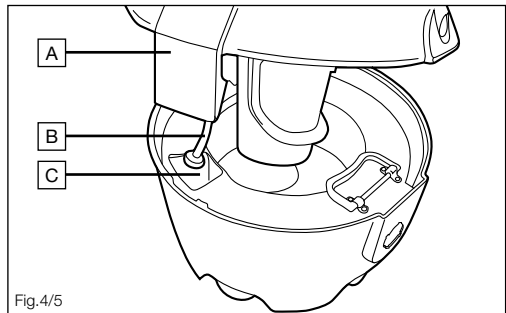
3. Remove Clean Water Tank (A) from inside Dirty Water Tank and fill with warm (max 40°C) water to point indicated on Tank, Add 1 Capful of Vax AAA solution per litre of water (Fig.4/3).



4. Replace Clean Water Tank (A) inside Dirty Water Tank (B) taking care to ensure that the space to allow the dirty water back into the tank is lined up with the Solution Port (C) (Fig.4/4).



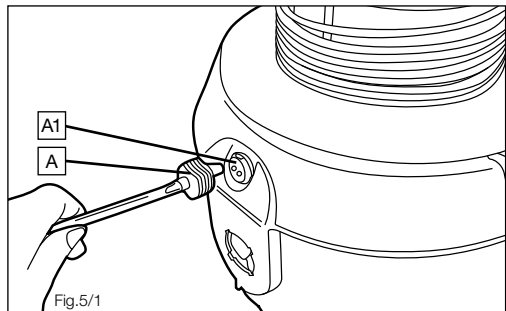
5. Replace Motor Container (A) ensuring that the Solution Pump Hose (B) is aligned with the hole in the Clean Water Tank (C) so that it goes inside when the Motor Container is clipped back into position (Fig.4/5).



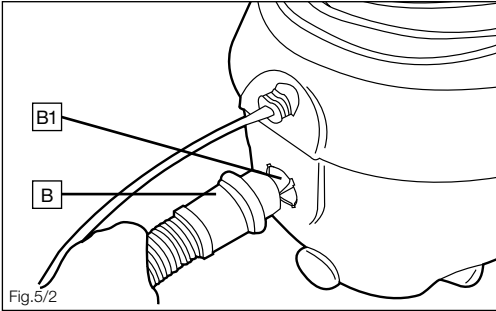
WARNING: Machine must not be plugged in during this stage.

5. Assembly

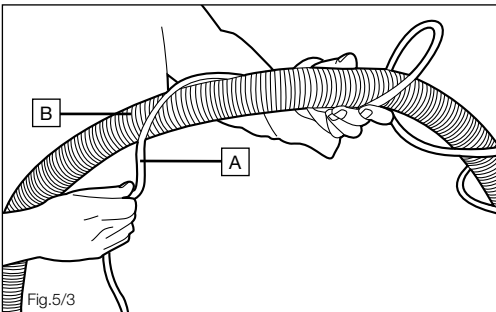
1. Push Solution Tube Cylinder Connector (A) firmly into Solution Port (A1). Twist Solution Tube Cylinder Connector (A) a quarter turn to the right to lock into place (Fig.5/1).



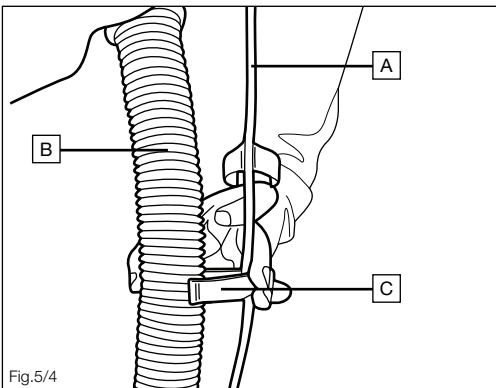
2. Push Hose Cylinder Connector (B) firmly into Hose Connection Port (B1). Twist to the right until Hose Cylinder Connector Locks into place (Fig.5/2).



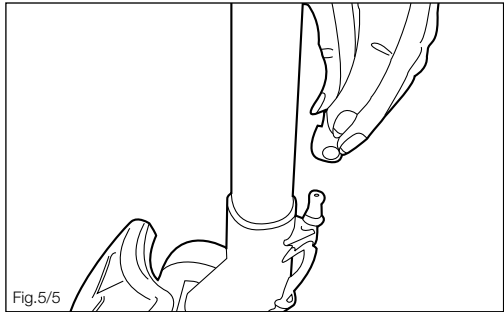
3. Wrap Solution Tube (A) around Hose (B). Ensure that the solution tube is wrapped loosely enough to allow the solution to flow freely through the tube (Fig.5/3).



4. After wrapping the tube around the hose, affix Solution Tube (A) to Hose (B) using Clips provided (C) to hold it in place (Fig.5/4).

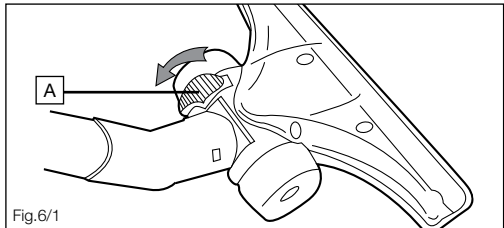


5. Push end of Solution Tube onto connective valve on the Wash Head / Upholstery Tool (Fig.5/5).

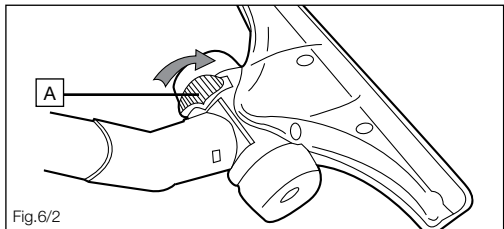


6. Usage

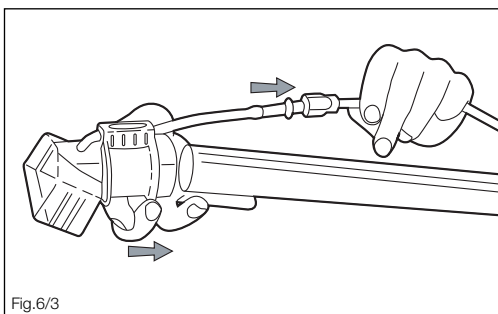
1. Plug in machine to power supply.
2. Press the red button to turn on the power.
3. Press the green button to activate the pump.
4. On the Fibreflow wash head ensure that the rocker switch (A) is towards the back of the head to allow water to flow through the head (Fig.6/1).



5. In order to help suck up excess water, the rocker switch (A) can be pushed to the front position on the Fibreflow was head. This will prevent water flow, allowing excess water to be removed (Fig.6/2).



6. In order to wash upholstery, including stairs and soft furnishings simply detach Fibreflow wash head from wand and solution tube and replace with upholstery wash tool as shown (Fig.6/3).



NOTE: Do not store cleaner with solution in clean water tank or dirty water in dirty water tank. Mineral deposits and mildew can form which will affect the performance of the carpet washer.

7. Troubleshooting

WARNING: To reduce risk of personal injury, unplug carpet washer before servicing.

Problem: The cleaner won't run

Cause: Not properly plugged into electrical outlet.

Solution: Plug in firmly.

Cause: No electricity in electrical outlet.

Solution: Check fuse or breaker.

Cause: On/off switch not turned on.

Solution: Push on/off switch to 'on'.

Cause: Blown fuse/tripped breaker.

Solution: Reset circuit breaker or replace fuse.

Problem: Cleaner/accessories won't pick up

Cause: Accessories not attached correctly.

Solution: Refer to page 6 for fitting information.

Cause: The hose is clogged.

Solution: Remove the hose and tools. Remove the obstruction.

8. UK Service & Help

Vax Care 0870 6061248

Monday-Friday, 9.00am to 5.00pm.

An answerphone will be available out of these hours.

Any queries or concerns about using your Vax, call the Vax Careline. Calls are charged at the UK national rate.

Please make a note of the serial number and model number of your carpet cleaner before calling. There are over 400 approved Vax Service Agents in the UK. For the nearest Vax Service Agent, please call the Vax Careline or visit www.vax.co.uk

9. Technical Specification

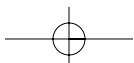
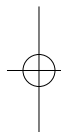
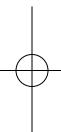
Voltage:	220 ~ 240V 50Hz
Wattage:	1300W
Clean water tank volume:	3 litres
Dirty water tank volume:	4.5 litres
Cord length:	7.5m
Weight:	7.7kg



Subject to technical change without notice.



This page has been left intentionally blank.



EEC STATEMENT OF COMPLIANCE

Manufacturer/EEC importer: Vax Limited, hereby on our own responsibility declare that the product V-020 Wash Vax is manufactured in compliance with the following:

Safety: 73/23/EEC Low Voltage Directive, as modified by 93/68/EEC

EMC: 89/336/EEC Electromagnetic Compatibility Directive, as modified by 93/68/EEC



Waste electrical products should not be disposed of with household waste. Please recycle where facilities exist. Check with your Local Authority or retailer for recycling advice.

Vax Ltd., Kingswood Road, Hampton Lovett, Droitwich, Worcestershire, WR9 0QH, UK
email: info@vax.co.uk - website: www.vax.co.uk

Version 1