

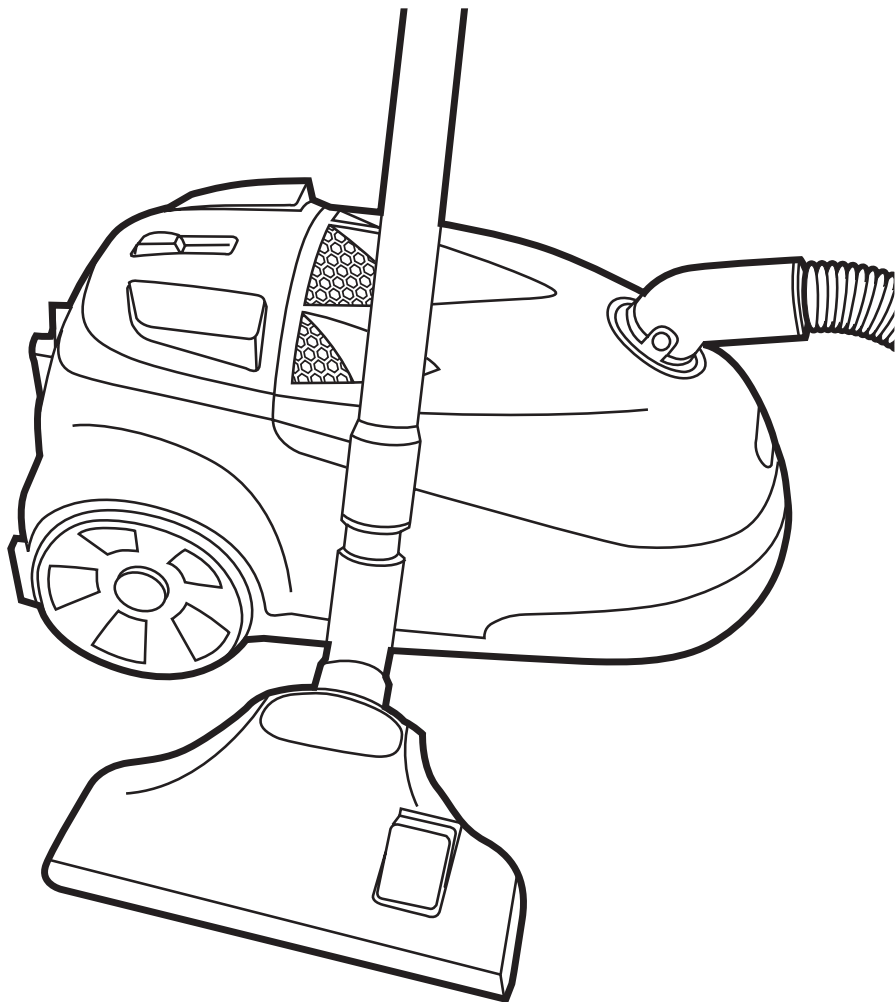


Vitality
plus

V-0072

easy guide

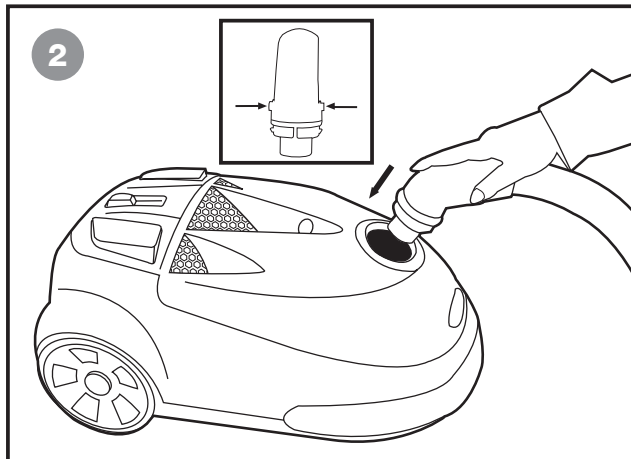
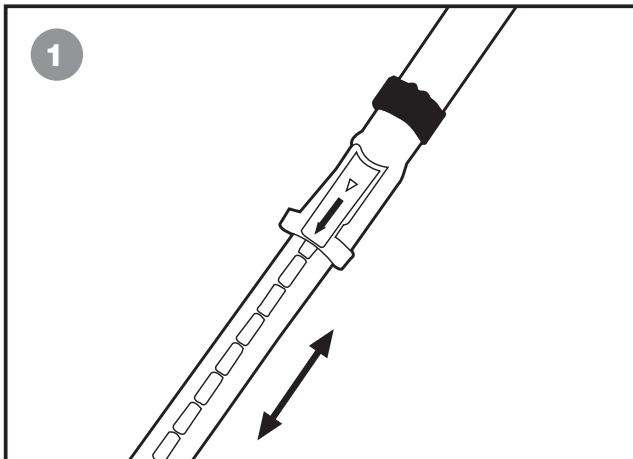
Please read carefully before using your V-0072. Always fully extend mains cable before use.



Important information - Save these instructions

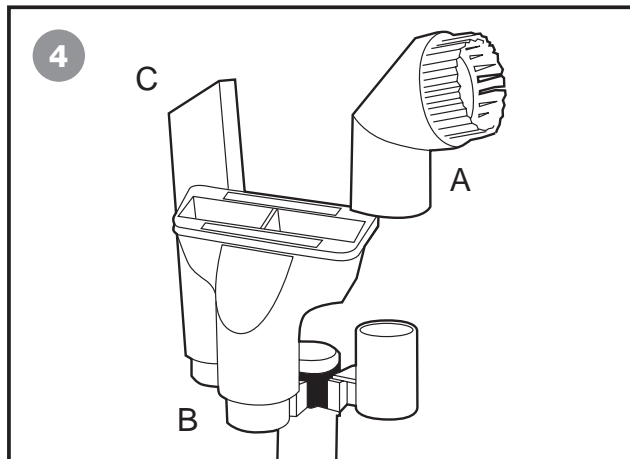
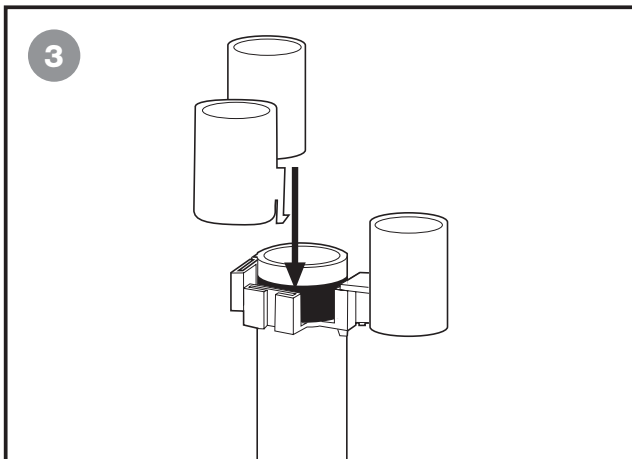
Congratulations on the purchase of your V-0072 cylinder cleaner. In order to get the best performance from this product, please read and retain these instructions. When using electrical appliances, in order to reduce the risk of fire, electric shock and/or injury to persons, basic safety precautions should be followed, including the following:

- *Read all instructions carefully, even if you are familiar with the appliance.*
- *To protect against the risk of electric shock, DO NOT IMMERSE the appliance, cordset or plug in water or other liquid.*
- *Close supervision is necessary when any appliance is used by or near children. Never leave an appliance unattended when in use.*
- *Switch off and remove the plug from the power outlet when not in use and before assembling or disassembling parts.*
- *Do not operate any appliance with a damaged cord or plug, after the appliance malfunctions or is dropped/damaged in any manner.*
- *The use of attachments or accessories sold by other manufacturers is not recommended.*
- *Do not operate or place any part of this appliance on or near any hot surfaces.*
- *Do not abuse the cord. Never carry the appliance by the cord or yank it from the power outlet; instead, grasp the plug and pull to disconnect.*
- *This product is intended for internal household use only.*
- *Do not attempt to repair the appliance yourself.*
- *Do not suck up inflammable liquids such as cleaning fluids, petrol, etc, or their vapours.*
- *Do not vacuum hard, sharp or over-large objects, matches, hot ashes, cigarette butts or similar materials.*
- *Do not use the vacuum cleaner without its dust bag or motor protection and air outlet filters.*
- *Do not use the cleaner if there is any obstruction in its suction passages, as this may dangerously overheat the motor.*
- *Do replace/empty the dust bag and filters after picking up fine dust such as cement, very fine sand, flour etc.*
- *To clean, wipe the exterior with a damp cloth.*



Assembling the appliance

- fig. 1 The telescopic extension tubes can be lengthened by pressing the button down and pulling the tubes apart.
- fig. 2 To attach the flexible hose to the vacuum cleaner, push the connecting end of the flexible hose into the attachment point on the vacuum cleaner.

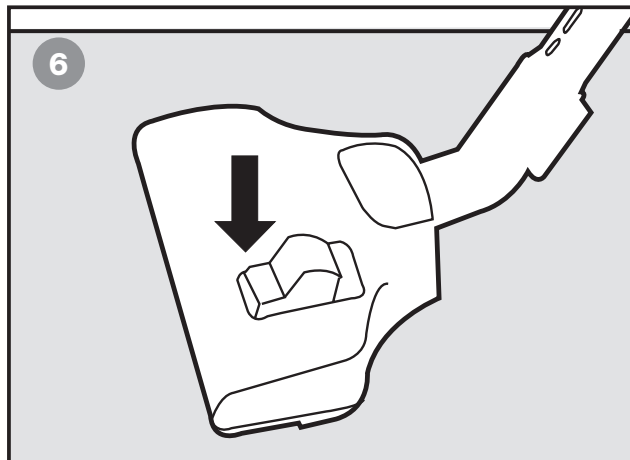
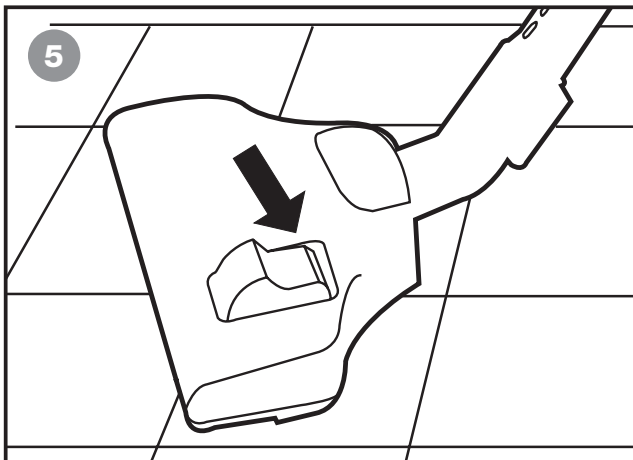


Assembling the easy-reach tool system

Your V-0072 has been equipped with easily accessible tool storage. To assemble this, please follow these instructions.

fig. 3 The tool storage system fixing bracket is already in place on the extension tube.
Insert the holding tubes as shown until the tubes click into place.

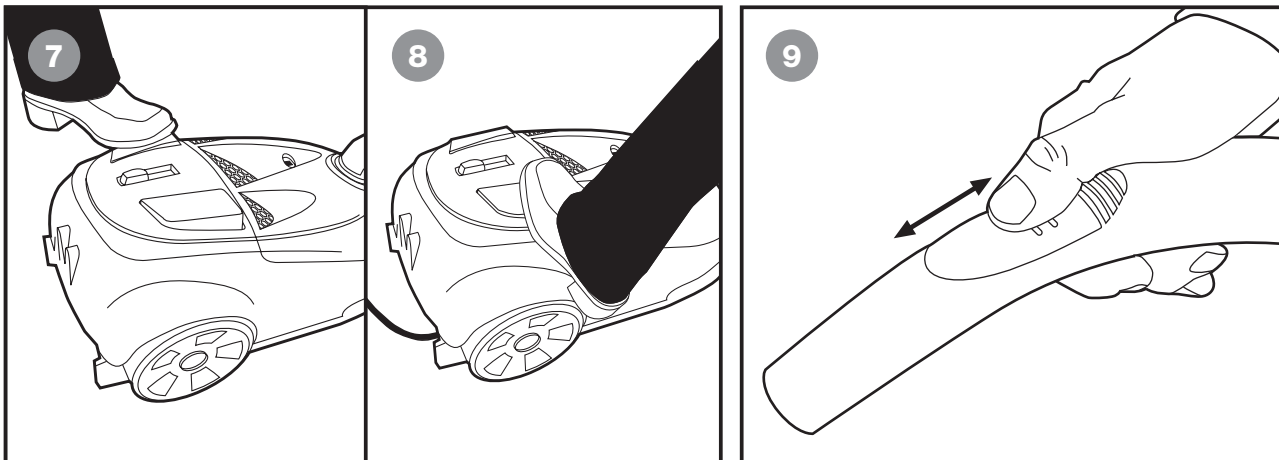
fig. 4 Place the dusting brush (A), upholstery brush (B) and crevice tool (C) on the tubes as shown.



Adjusting the cleaning head for carpets & hard floors

fig. 5 Hard floor position (tiles, parquet floors, etc) – The cleaning head bristles must be in the lower position. Press on the rocker switch to lower them.

fig. 6 Carpet or rug position – The cleaning head bristles should be raised. Press the rocker switch to lift them.



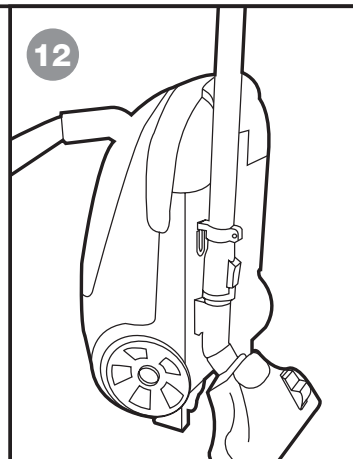
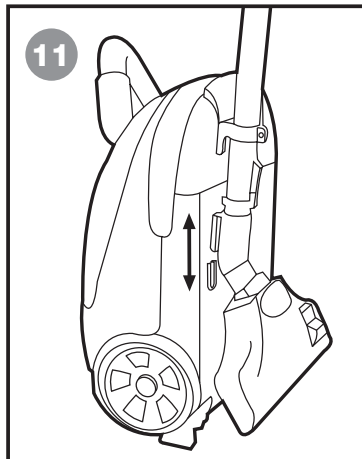
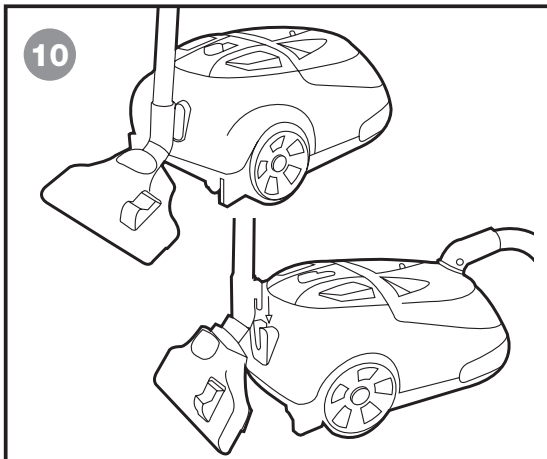
How to use your V-0072

Fully extend the mains cable and plug it into a standard domestic outlet.

fig. 7 Press the foot pedal to start the vacuum cleaner. To stop it, press the pedal again.

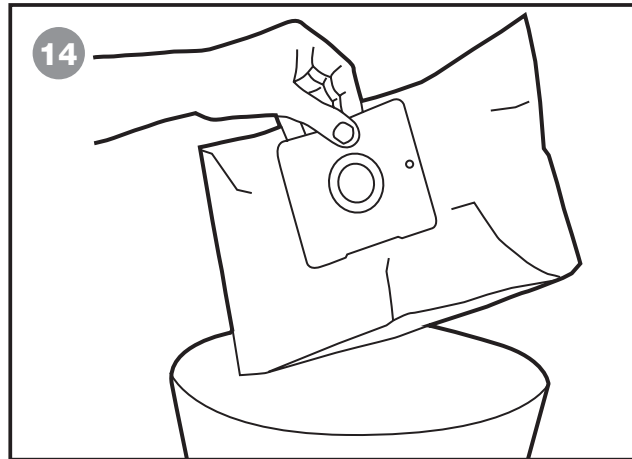
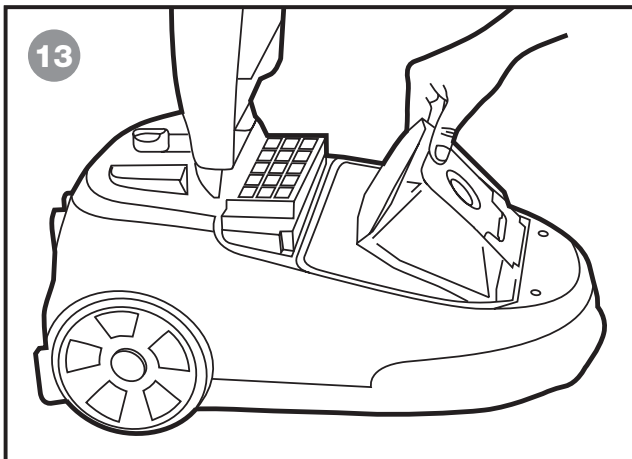
fig. 8 Press the foot pedal to recoil the power lead.

fig. 9 The hose grip has a bleed valve that allows you to control the suction power.



How to use your V-0072

- fig. 10 If you wish to pause briefly during vacuuming i.e. to move a piece of furniture or a rug, use the special parking position on your vacuum cleaner as shown. Slide the hook attached to the cleaning head into the slot on the rear of the appliance.
- fig. 11&12 You can move or store your appliance in a vertical position by sliding the hook on extension tube into the clip on the underside of the appliance. This practical system allows you to carry the vacuum cleaner around in one hand and to store it in the minimum amount of space.

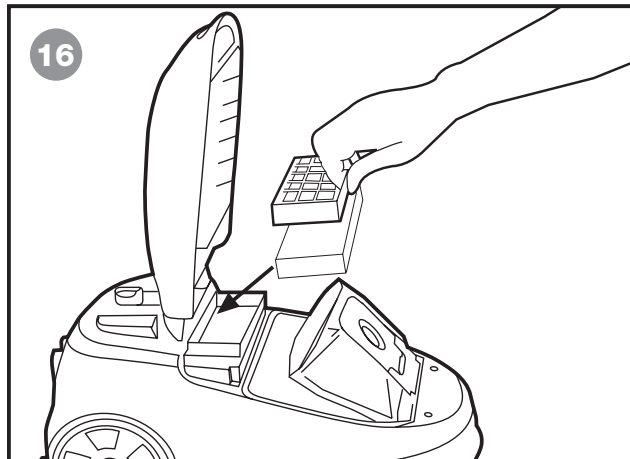
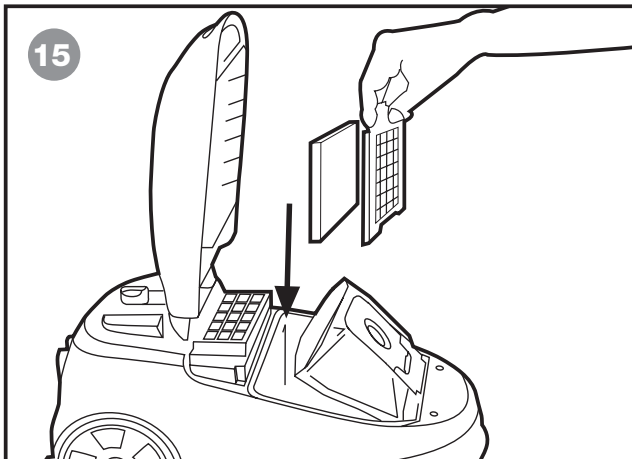


To change the dust bag

Your appliance is equipped with a dust bag. If you notice that the vacuum cleaner seems to be less efficient than usual, check the dust indicator by selecting the maximum power and lifting the vacuum cleaning head off of the floor. If it turns red, change the dust bag.

fig. 13 Turn off the appliance and unplug it. Lift up the catch to access the dust bag compartment, raise the cover and remove the bag using the cardboard bag holder.

fig. 14 The bag can then be disposed of hygienically. Do not forget to change the dust bag and filters regularly, as the cleaner's efficiency and motor life depend on it.



To change the filters

fig. 15 Motor protection filter: The filter is located in the dust bag compartment and protects the motor from dust. To access this filter, remove the grille from the machine and replace it with a new one. We recommend changing the filter after 5 bag changes or when it appears soiled.

fig. 16 Air outlet filter: The air outlet filter is also housed in the dust bag compartment above and behind the motor protection filter, as shown in fig 16. Remove the dirty filter assembly from the machine and dispose of the filter medium. Replace with a new filter medium. Return the filter assembly to your V-0072.

We recommend replacing the air outlet filters every 4-6 months, after the bag has been changed 5 times, when appearance is soiled or a loss of suction is experienced (whichever is sooner). Attention: Do not use the vacuum cleaner without the full filter set.

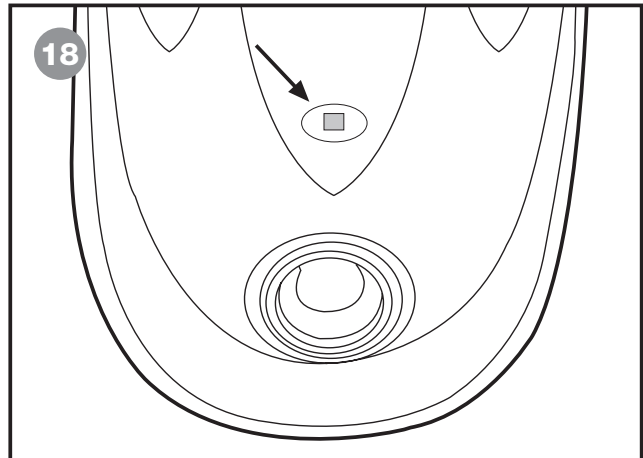
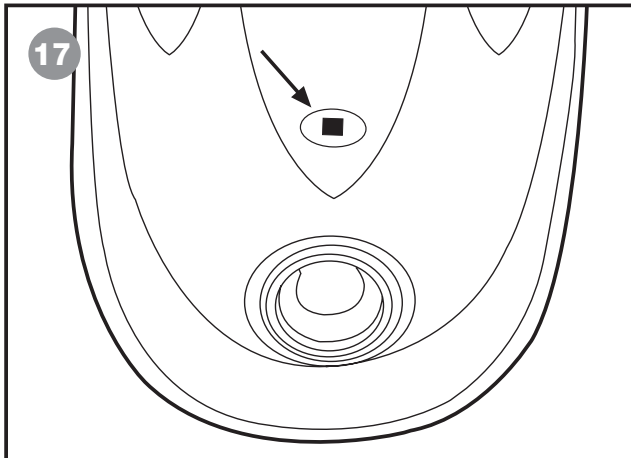
Dust bag indicator

fig. 17 When the indicator turns red or when the suction power reduces substantially, this indicates that you should empty the dust bag.

fig. 18 When the bag is not full, the indicator will show blue.

Attention: If after emptying the dust bag, the indicator stays red, this could be for several reasons: 1, The suction passages may be blocked – check the flexible hose and extension tubes, suction inlet, floor brushes and nozzles for obstruction. 2, Check the motor protection filter. 3, Check to see if the air outlet filter is dirty. Check carefully which of these is causing the indicator to light and correct it so that the vacuum cleaner can work normally.

Do not use the vacuum cleaner with the indicator on red, as this could cause irreparable damage to the motor.



This page has been left intentionally blank



GB - SERVICE & HELP – VAX CARE 0870 6061248

Mon – Fri. 9:00am to 5:00pm. An answer phone is available out of these hours.

If you have queries or concerns about using your VAX, call the HELP LINE.

Calls are charged at the UK national rate.

Please make a note of the serial number and model number of your VAX before calling.

VAX Limited, Kingswood Road, Hampton Lovett, Droitwich, Worcestershire WR9 0QH, UK

Email: enquiry@vax.co.uk - Website: www.vax.co.uk