

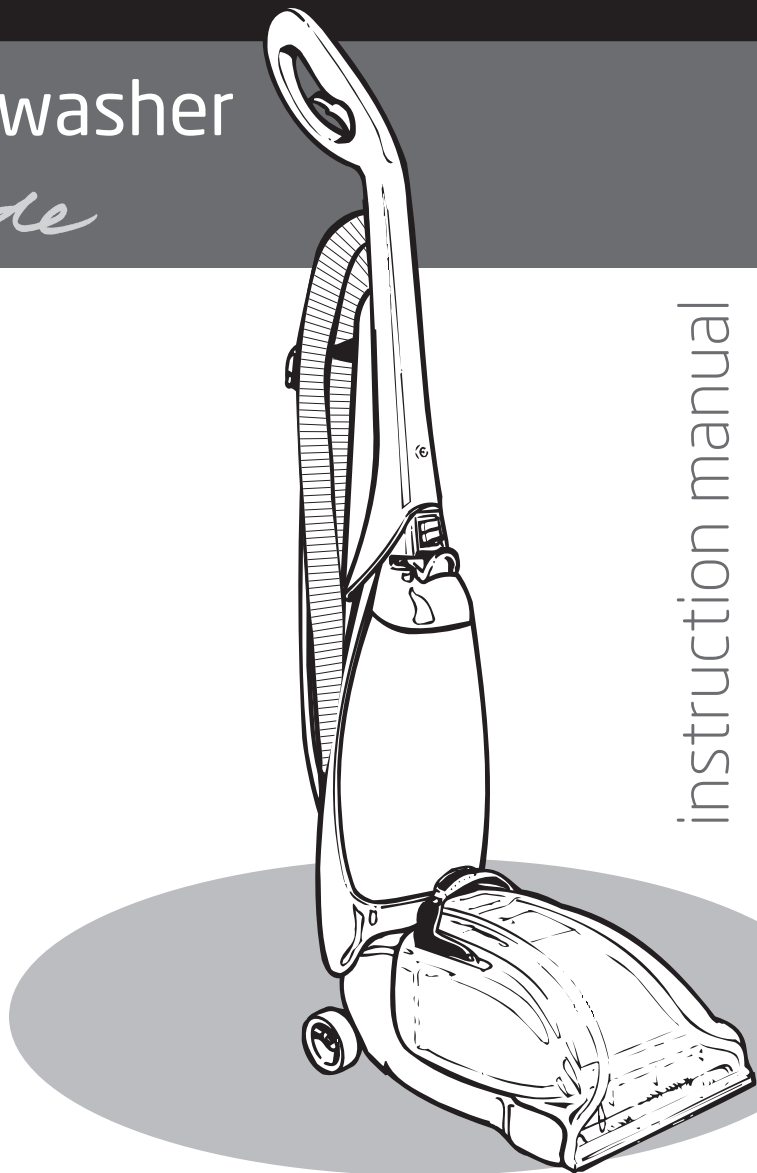


Vax Careline: (UK) 0844 412 8455  
(ROI) 1-800 928 308

# Carpet washer

*Rapide*

Vax model number:  
V-026 series



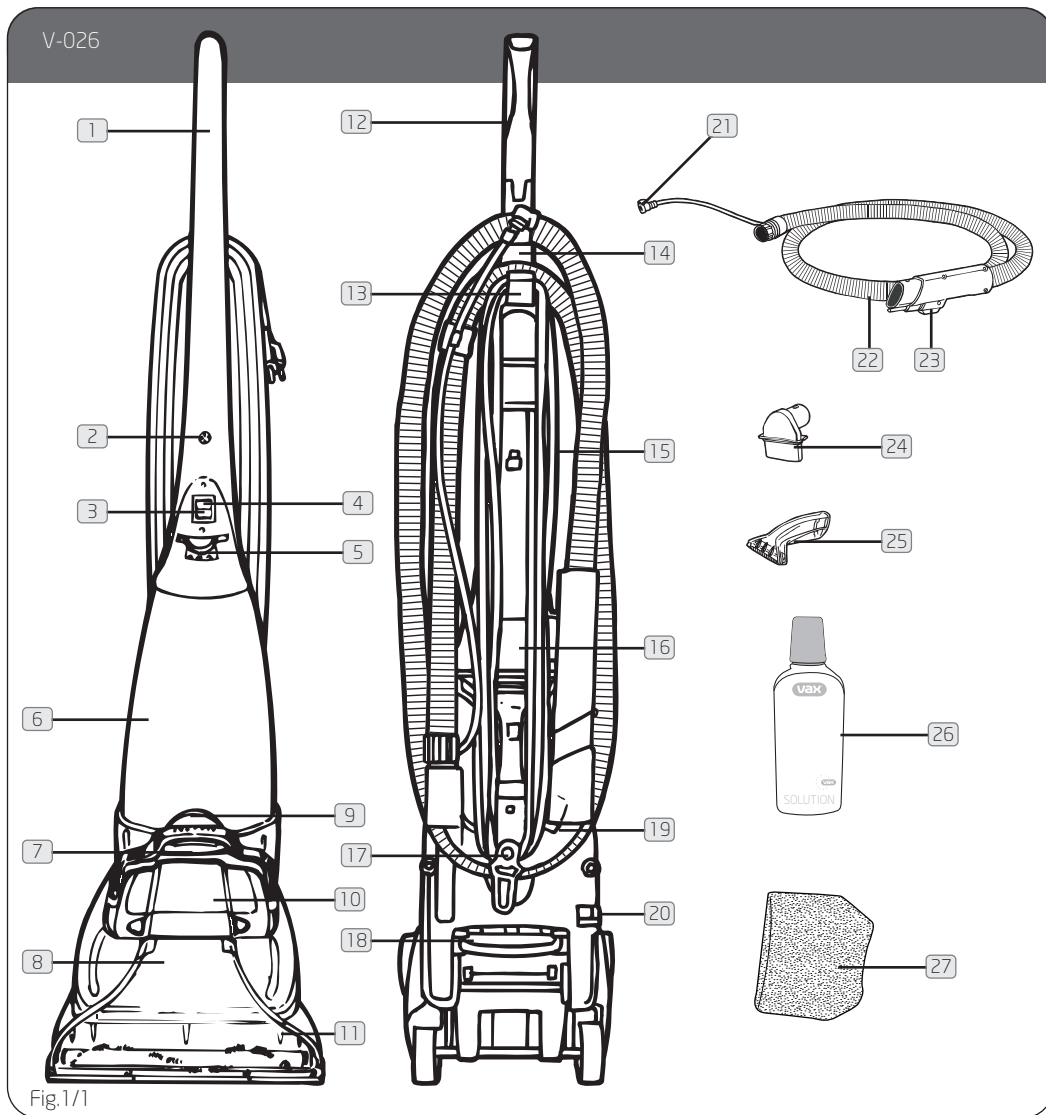
instruction manual

vax.co.uk

Please read carefully before using this carpet washer. Always fully extend the mains cable before use. Retain for future reference.

vax.co.uk

## 1. Diagram



- |                            |                             |                                 |
|----------------------------|-----------------------------|---------------------------------|
| 1 Handle                   | 10 Dirty water tank lid     | 19 Lower hose/tool caddy        |
| 2 Handle screw             | 11 Rotating brushbar        | 20 Water supply socket          |
| 3 On/off switch            | 12 Solution release trigger | 21 Solution tube plug           |
| 4 Brushbar on/off switch   | 13 Cord hook                | 22 Hose                         |
| 5 Clean water tank release | 14 Upper hose wrap          | 23 Solution spray trigger       |
| 6 Clean water tank         | 15 Power cord               | 24 Hose adaptor                 |
| 7 Dirty water tank handle  | 16 Carry handle             | 25 Wash tool                    |
| 8 Dirty water tank         | 17 Cord release clip        | 26 Vax carpet cleaning solution |
| 9 Dirty water tank release | 18 Handle release pedal     | 27 Float chamber filter         |

## 2 parts overview

## 2. Safety Information

### FOR HOUSEHOLD USE ONLY.

When using the vacuum cleaner, basic safety precautions should always be observed, including the following:

1. Do not leave the carpet washer unattended when plugged in. Unplug it from socket when not in use.
2. To prevent electric shock do not use outdoors.
3. Not to be used as a toy. Children should be supervised to ensure that they do not play with the appliance.
4. This appliance is not intended for use by persons (including children) with reduced physical, sensory or mental capabilities, or lack of experience and knowledge, unless they have been given supervision or instruction concerning the use of the appliance by a person responsible for their safety.
5. Use only as described in this manual.
6. Do not use with a damaged cord or plug. If the supply cord and/or plug is damaged, they must be replaced by the manufacturer or a Vax Service Agent in order to avoid hazard or invalidating the guarantee.
7. Do not pull or carry by the cord, use the cord as a handle, allow the cord to come into contact with hot or sharp surfaces or close a door on the cord.
8. Do not unplug by pulling on the cord.
9. Do not handle the plug or carpet washer with wet hands.
10. Do not put any objects into openings or operate with openings blocked, keep them free of anything that may reduce airflow.
11. Keep hair, loose clothing, fingers and all parts of the body away from openings and moving parts.
12. Do not use the carpet washer on any glowing, burning or smoking particles.
13. Do not use without the clean and dirty water tanks in place.
14. Turn off all controls before unplugging.
15. Do not use to pick up flammable or combustible liquids such as petrol, or use in areas where they may be present.
16. Keep the unit on the floor.
17. Do not use an extension cord.
18. Do not attempt to remove blockages with sharp objects as they may cause damage.
19. Store indoors put away after use to prevent tripping accidents.
20. Using improper voltage may result in damage to the

motor and possible injury to the user. The correct voltage is listed on the rating label.

21. A hazard may occur if the carpet washer runs over the power supply cord.
22. To prevent dirty water from running into motor, do not hold the appliance upside-down or lay on its side. Use appliance in normal cleaning position.
23. Use extra care when cleaning on stairs.
24. Do not carry appliance while motor is running.

**NOTE: Carpets should be dry vacuumed thoroughly before washing.**

**NOTE: The unit must be unplugged from the mains socket outlet after use, and before cleaning or maintaining the unit.**



**IMPORTANT: This unit is not intended for commercial use.**

**PLEASE KEEP THESE INSTRUCTIONS FOR FURTHER USE.**

### Motor Thermostat

**IMPORTANT:** The motor is equipped with a thermal cut-out. If for any reason, the vacuum cleaner should over-heat, the thermostat will automatically turn the unit off. Should this occur, unplug the vacuum cleaner from the electrical outlet and turn off the switch. Remove the dirty water tank and empty. Clean the filters. Allow the cleaner to cool for approximately one (1) hour. To re-start, plug into an electrical outlet and switch back on.

### 3. Assembly

#### Attach upper handle

Stand the base in the upright position. Assemble the mid section onto the base, taking care not to trap internal mains wire. (Fig.3/1).

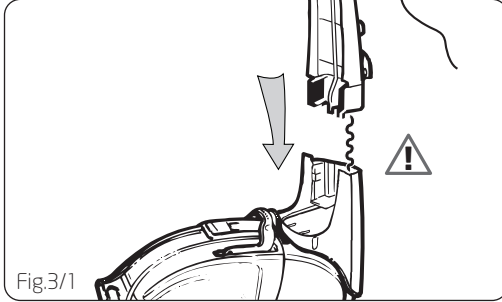


Fig.3/1

Insert the two nuts into the recesses located on the left and right sides of the base. While holding the nuts in place, insert the two medium length screws through the front of the mid section and tighten. (Fig.3/2).

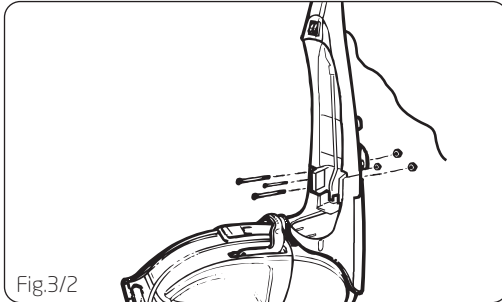


Fig.3/2

Hold the nut in place, insert the long screw through the front of the upper handle and tighten (Fig 3/3).

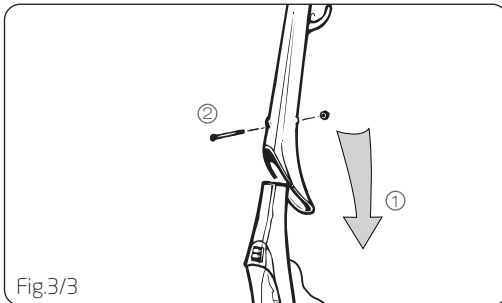


Fig.3/3

Align tabs on hose/tool caddy with slots on midsection and snap into place (Fig.3/4).

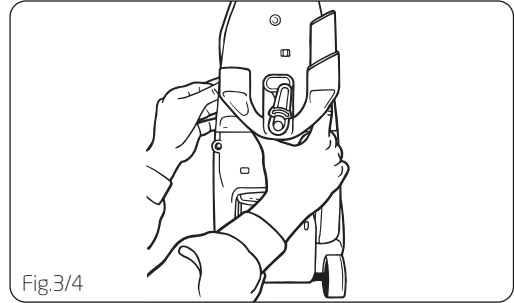


Fig.3/4

Place nut into recess on hose/tool caddy and hold into place. Press handle release with your other hand to tilt the midsection backwards (Fig.3/5).

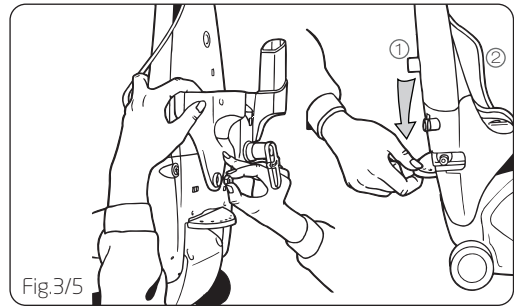


Fig.3/5

Place screw through centre of lower midsection and tighten (Fig.3/6).

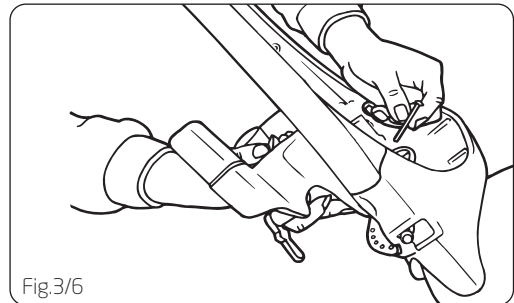


Fig.3/6

#### Hose/Tool Caddy Use

Wrap the cord around the hook and cord release clips (3/7).

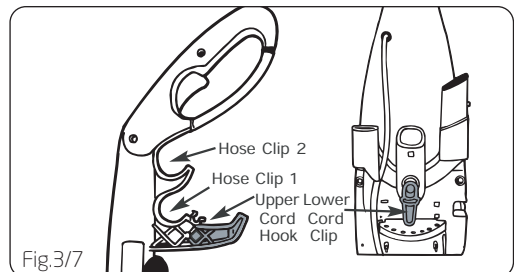


Fig.3/7

Detach the hose adaptor from the end of the hose and slide it onto the adaptor post (Fig.3/8).

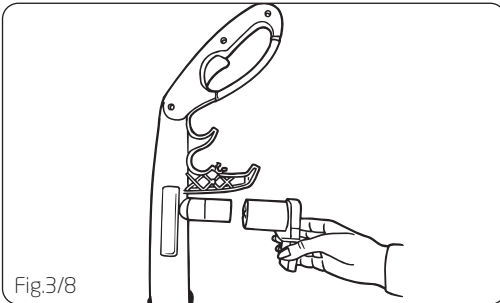


Fig.3/8

Fit the wash tool into the middle slot of the hose/tool caddy (3/9).

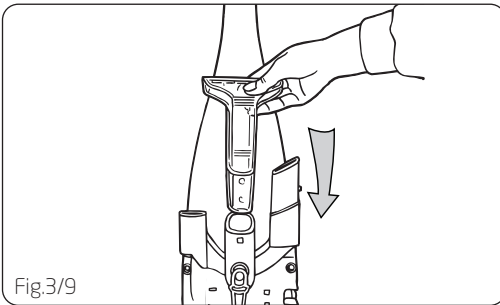


Fig.3/9

Clip the adaptor end of the hose into the left slot on the hose/tool caddy (3/10). Be sure to line the push-pin with the slot and slide down until secured.

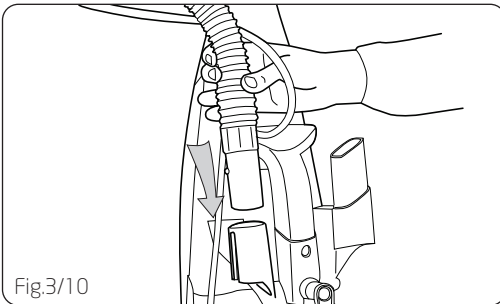


Fig.3/10

Wrap hose round the upper hose wrap, anti-clockwise, twice, ensuring the hose is secured in the hose clips (Fig.3/11).

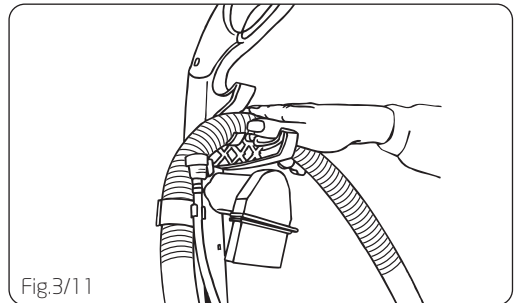


Fig.3/11

Lock the attachment end of the hose into place by clipping into the right slot on the lower tool caddy (Fig.3/12).

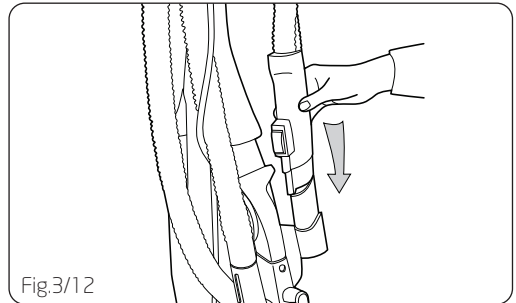


Fig.3/12

## 4. Operation

**!** **IMPORTANT:** Turn off when emptying and filling the clean water tank.

### Filling the clean water tank

Remove clean water tank from the carpet washer (Fig.4/1).

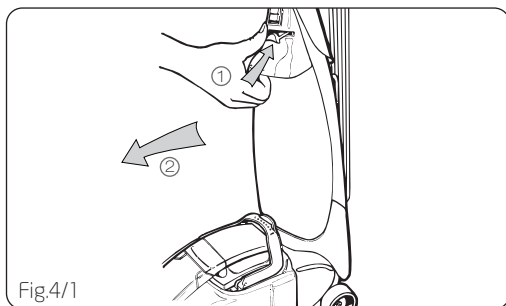


Fig.4/1

Unscrew the filler/measure cap from the rear of the clean water tank. Fill the bottle cap or measure cap 3 times with Vax carpet cleaning solution and pour into the tank (Fig.4/2).

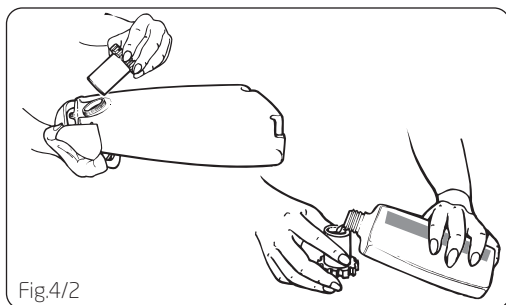


Fig.4/2

Fill the remainder of the clean water tank with warm (max 40°C) tap water. Replace the cap (Fig.4/3).

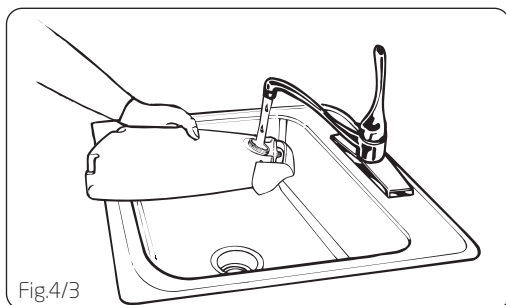


Fig.4/3

**NOTE:** Use only Vax carpet cleaning solution, as other cleaning solutions may cause excessive foaming. This may cause the float to shut off the cleaner prematurely. Using other cleaning solutions will invalidate your guarantee.

Place the bottom of the clean water tank into the cleaner and push into place. There will be an audible click when the clean water tank is in the correct position.

### Operating the carpet washer

**!** **IMPORTANT:** Never leave the cleaner unattended with the power on. Vacuum carpets thoroughly with dry vacuum cleaner before washing.

Plug the cord into a mains electricity socket. Turn the power and brushbar switches on. The switches are located on the front of the carpet washer, above the clean water tank. The power switch controls the vacuum motor and pump, the brush switch only turns the rotating brushbar on and off when the power switch is on (Fig.4/4).

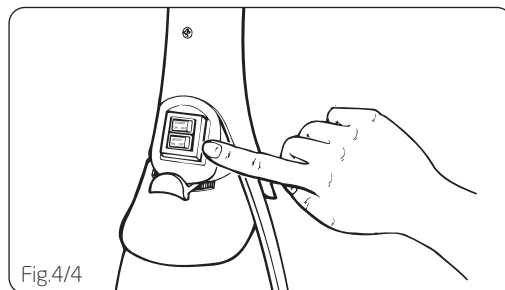


Fig.4/4

Press on the handle release pedal and pull the cleaner back into a reclined position (Fig.4/5).

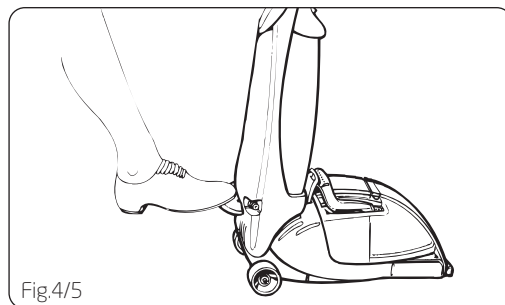


Fig.4/5

While pressing the solution release trigger, push the cleaner in a forward motion. Release the trigger and pull the cleaner backwards over the same path to remove the dirty water and solution from the carpet. Repeat if necessary (Fig.4/6).

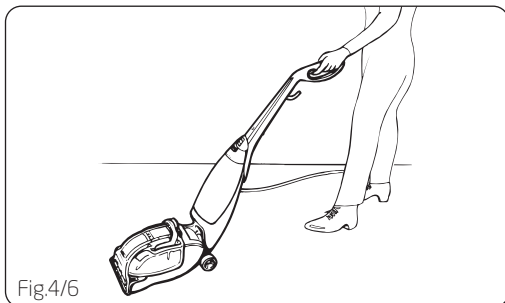


Fig.4/6

When the dirty water reaches the max fill line on the dirty water tank, empty the tank.

### Hose Attachments

**NOTE: DO NOT OVERSATURATE YOUR UPHOLSTERY.**

For best results use steady, moderate, forward and backward motion.

Make sure upholstery is dry before use.

Put cleaner in its upright position. Remove tools from storage caddy. Assemble as shown. Connect the upholstery attachment to the trigger adapter (Fig.4/7).

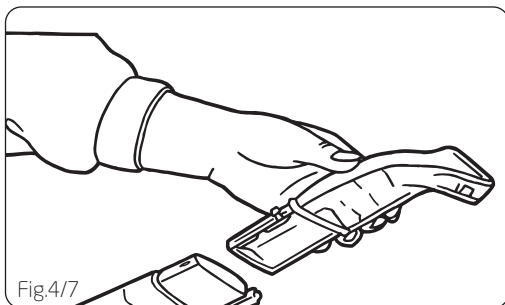


Fig.4/7

Remove the tank door from the top of the dirty water tank (Fig.4/8).

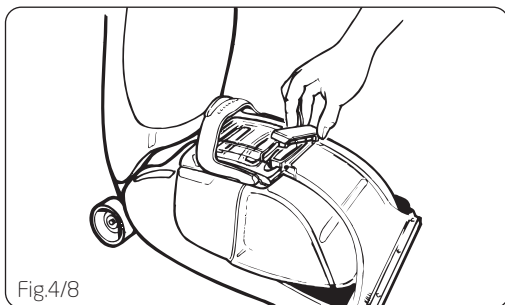


Fig.4/8

Insert the hose adapter into the top of the dirty water tank (Fig.4/9).

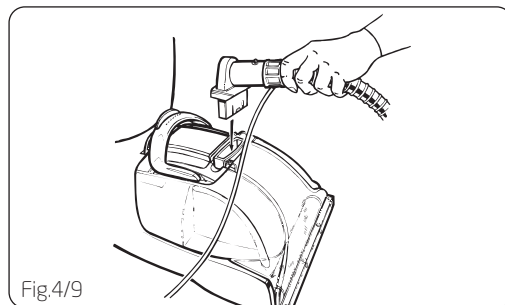


Fig.4/9

Connect the hose water supply plug into the socket on the lower left side of the cleaner (Fig.4/10).

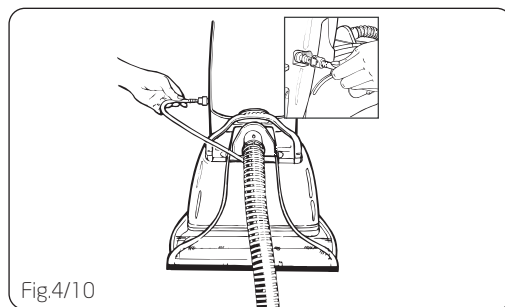


Fig.4/10

### Using the Wash Tool

Turn power switch on and brush switch off. While depressing the solution spray trigger, push attachment in forward motion (Fig.4/11).

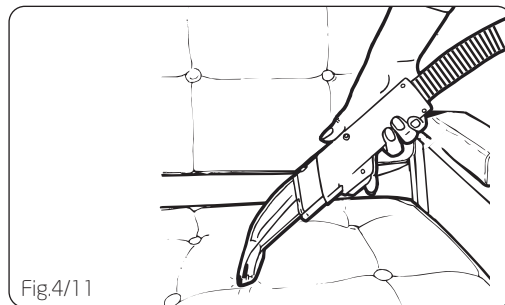


Fig.4/11

Release trigger and pull attachment backwards over the same path to remove dirty water and solution from upholstery. (For heavily soiled areas, repeat if necessary).

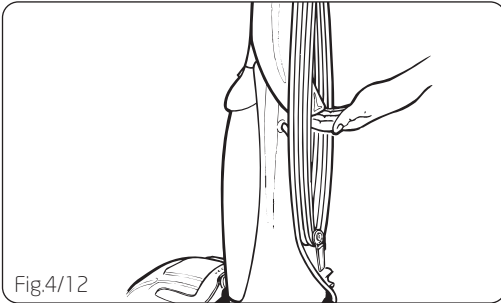
### Storing the Wash Tool

Place hose and wash tool into their storing locations. Store for next use.

vax.co.uk

### Carry Handle

Grasp the handle on the back of the unit to move unit from room to room (Fig.4/12).



**NOTE:** Do not transport the carpet washer with either the clean or dirty water tanks full.

**NOTE:** If the hose attachment door is not replaced, there will be no suction through the nozzle and the unit will not operate properly.

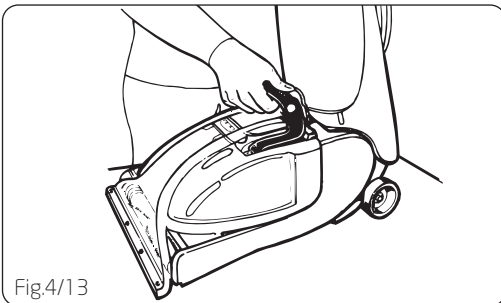
### Emptying the dirty water tank

**NOTE:** The float in your Rapide is the blue/orange piece in the dirty water tank lid, which will shut off the suction when the dirty water tank is full. For best results, use a smooth steady motion, keeping the nozzle flat against the carpet. Tipping the cleaner and breaking the seal of the nozzle against the carpet will cause the float to rise cutting off suction. Once the float is activated, empty the dirty water tank. If the tank does not appear full, turn off the power switch and wait for the float to settle. For best results use only Vax carpet cleaning solution.

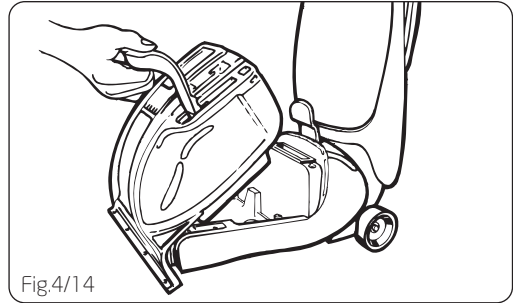
You will hear a distinct change in the noise coming from your carpet washer when the tank is full and needs emptying.

**!** **IMPORTANT:** Unplug your cleaner before emptying the dirty water tank

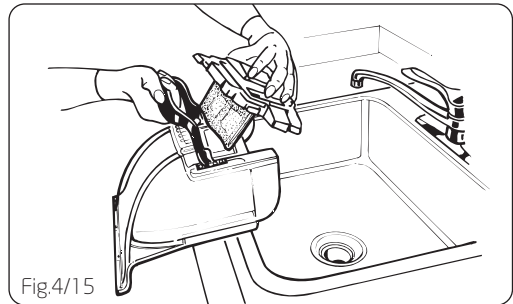
Grasp the top of the dirty water tank handle and press the release latch (Fig.4/13).



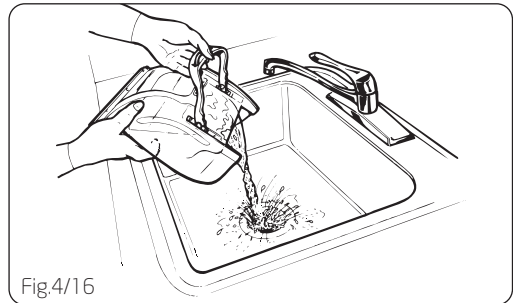
Pull the dirty water tank up out of the base, taking care to ensure that no dirty water leaks from the front (Fig.4/14).



Remove dirty water tank lid (Fig.4/15).



To empty the water tank grasp the handle with one hand and the nozzle with the other and empty into the sink (Fig.4/16).



### Cleaning the Dirty Water Tank

Rinse the dirty water tank and filter thoroughly with warm water. You should allow them to dry fully before replacing them on your cleaner to prevent mildew (Fig.4/17).

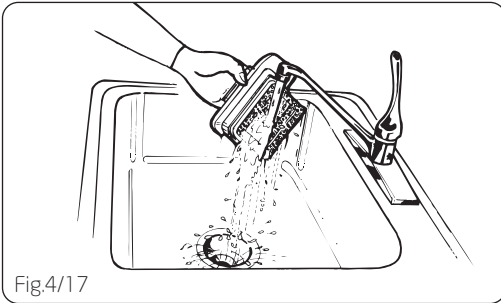


Fig.4/17

**NOTE:** Do not use any chemicals in the cleaning process.

### Replacing the Dirty Water Tank

Lift the front of the carpet cleaner base off the carpet with one hand (Fig.4/18).

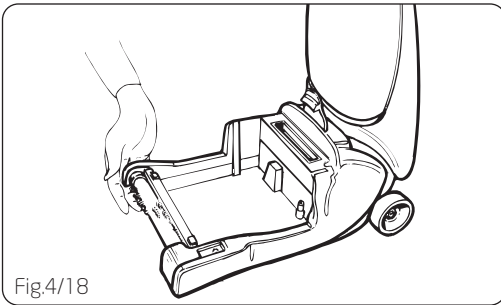


Fig.4/18

Grasp the handle and hook the front of the dirty water cleaner into the base, making sure that the front of the dirty water tank is resting on the base.

The dirty water tank has three tabs on the underside which **MUST** latch on to the underside of the base of the cleaner. The base must be lifted so that the nozzle is flush with the base of the cleaner (Fig.4/19).

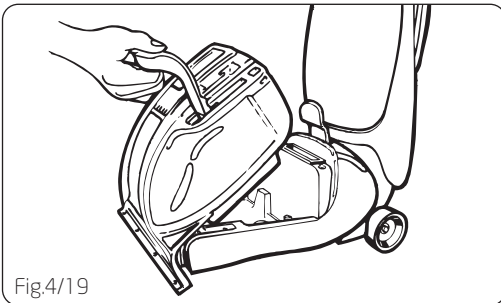


Fig.4/19

**NOTE:** Failure to install the dirty water tank correctly will result in poor dirty water pick up.

While making sure the dirty water tank is resting on the base, place the rear of the tank into the base of the cleaner, push down on the handle until it latches (Fig.4/20).

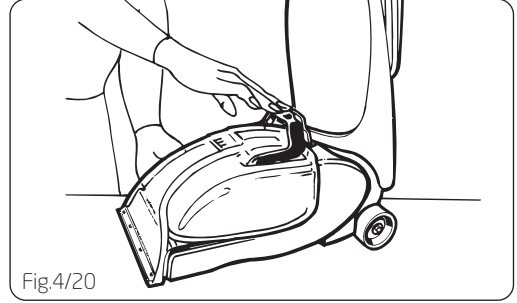


Fig.4/20

Empty and rinse clean the water tank after use.

## 5. Maintenance

### Belt or Brush Removal and Replacement

Phillips screwdriver required

**!** **IMPORTANT:** Plug must be removed from socket outlet before cleaning or maintaining the appliance.

Remove the water tank, switch off and unplug the carpet washer. Flip the cleaner on it's side to expose the nozzle base.

To remove the belt cover, use a phillips screwdriver to remove the two screws (Fig.5/1).

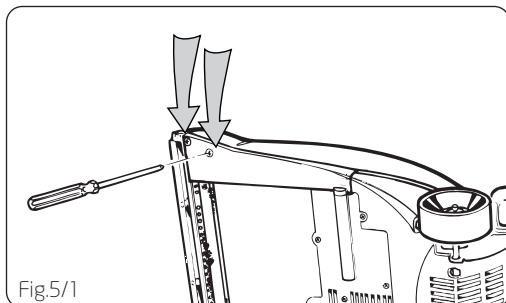


Fig.5/1

Hold the belt cover near the belt roll and lift out (Fig.5/2).

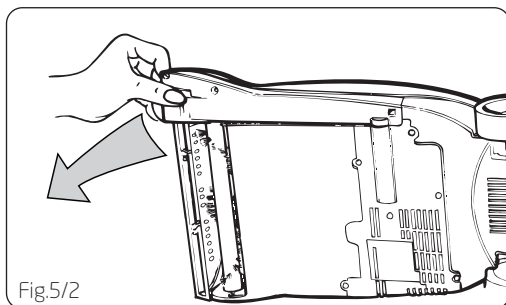


Fig.5/2

Grasp the brushbar with one hand, using the other hand to keep tension on the the belt while removing (Fig.5/3).

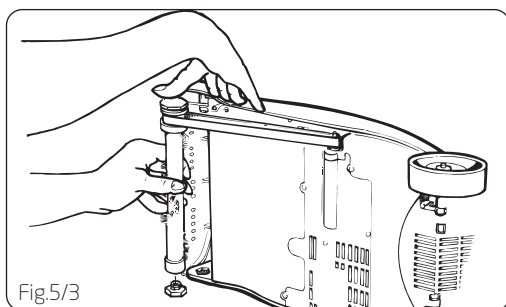


Fig.5/3

Lift brushbar while pulling it out (Fig.5/4).

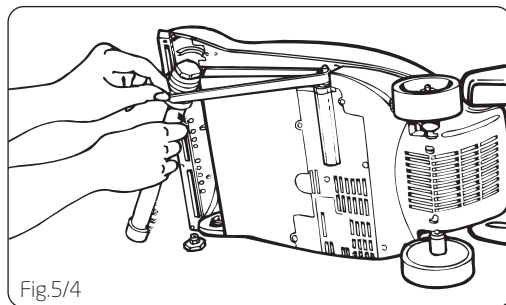


Fig.5/4

Slide the belt off the the motor shaft and dispose.

When replacing the belt, first slide it onto the motor shaft. Then slip the brushbar through the belt. Place the belt in the area of the brush without bristles.

Slide the brushbar into the nozzle, ensuring that the brushbar end caps are orientated correctly, see inset picture.

Manually turn the brushbar to check that it is fitted properly (Fig.5/5).

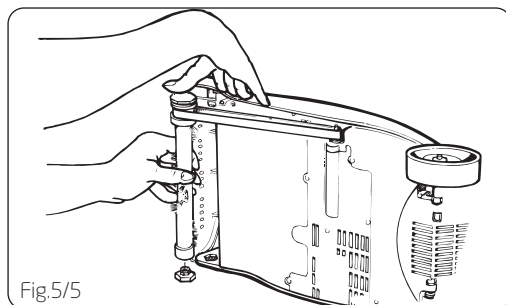


Fig.5/5

Replace the belt cover by inserting the end furthest from the brush first. Then replace the front of the belt cover before securing in place with the two screws.

### Filter Maintenance

Remove dirty water tank lid (Fig.6/1).

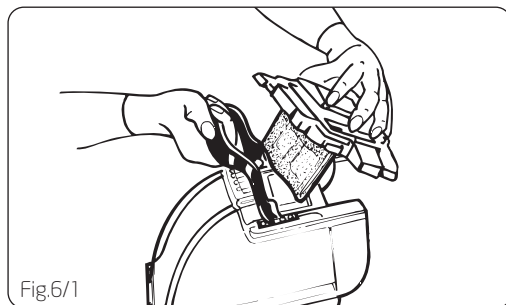
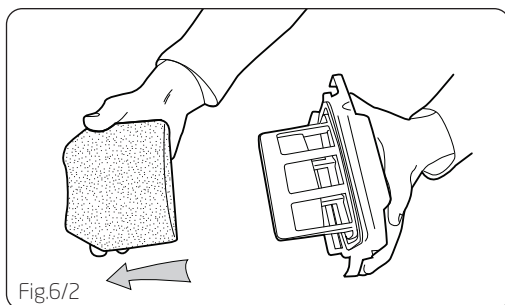
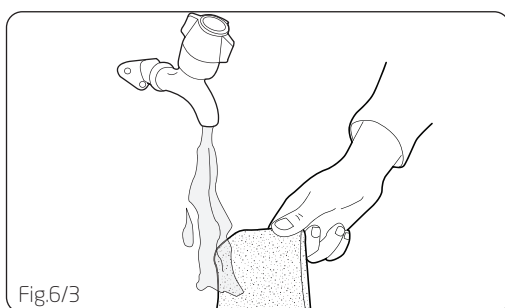


Fig.6/1

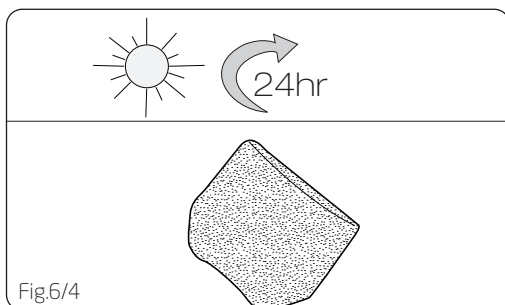
Separate the foam filter from the float (Fig.6/2).



Rinse the filter in water (40°C max) (Fig.6/3).



Allow the filter to air dry completely before storing your machine (Fig.6/4).



## 6. Troubleshooting

**⚠ WARNING:** To reduce the risk of personal injury, unplug the vacuum cleaner before performing maintenance or troubleshooting checks.

**PROBLEM: The cleaner won't run.**

**Cause:** Not properly plugged into electrical outlet.

**Solution:** Plug in firmly.

**Cause:** No electricity in electrical outlet.

**Solution:** Check fuse or breaker.

**Cause:** On/off switch not turned on.

**Solution:** Push on/off switch to 'on'.

**Cause:** Blown fuse/tripped breaker.

**Solution:** Reset circuit breaker or replace fuse.

**PROBLEM: Cleaner won't pick up/loss of suction.**

**Cause:** Dirty water tank is full.

**Solution:** Switch off and unplug cleaner. Empty dirty water tank as shown in Section 4.

**Cause:** Dirty water tank not installed correctly.

**Solution:** Refer to page 9 for fitting information.

**Cause:** Obstruction in hose/wash tool

**Solution:** Remove hose and clear obstruction.

**Cause:** Broken or worn belt.

**Solution:** Replace the belt. See page 10.

**Cause:** Brushbar is worn.

**Solution:** Replace the brushbar. See page 10.

**PROBLEM: Dust escaping from the vacuum.**

**Cause:** Dirty water tank is full.

**Solution:** Switch off and unplug cleaner. Empty dirty water tank as shown in Section 4.

**Cause:** Dirty water tank not installed correctly.

**Solution:** Refer to page 9 for fitting information.

**Cause:** Solution tank not installed correctly.

**Solution:** Make sure the tank is securely locked in place

**PROBLEM: Clean water/solution won't dispense.**

**Cause:** Clean water tank not installed correctly.

**Solution:** Make sure the tank is securely locked in place.

**Cause:** Clean water tank empty.

**Solution:** Refill tank. Refer to page 6 for instructions.

vax.co.uk

## 7. UK Service & Help

**Vax Careline:**

**(UK) 0844 412 8455**

**(ROI) 1-800 928 308**

Monday-Friday 8.30am to 6.30pm

Saturday-Sunday 9.00am to 5.00pm

Any queries or concerns about using the Vax, call the Vax Careline. Please make a note of the serial number and For the nearest Service Agent, please call the Vax Careline.

**vax.co.uk**

## 8. Technical Specification

Voltage:	220-240V ~50Hz
Wattage:	600 W
Capacity:	Clean water tank - 3.5 litres Dirty water tank - 2 litres
Cord length:	7.6 metres
Weight:	7.7kg

Subject to technical change without notice.



This page has been left intentionally blank.

This page has been left intentionally blank.

This page has been left intentionally blank.



### EEC STATEMENT OF COMPLIANCE

Manufacturer/EEC importer: Vax Limited, hereby on our own responsibility, declare that the Vax V-026 series carpet washer is manufactured in compliance with the following Directives:

**Safety:** 2006/95/EC Low Voltage Directive  
**EMC:** 2004/108/EC Electromagnetic Compatibility Directive



Waste electrical products should not be disposed of with household waste. Please recycle where facilities exist. Check with your Local Authority or retailer for recycling advice.

Vax Ltd., Kingswood Road, Hampton Lovett, Droitwich, Worcestershire, WR9 0QH, UK  
email: [info@vax.co.uk](mailto:info@vax.co.uk) - website: [vax.co.uk](http://vax.co.uk)