

Bagless cylinder

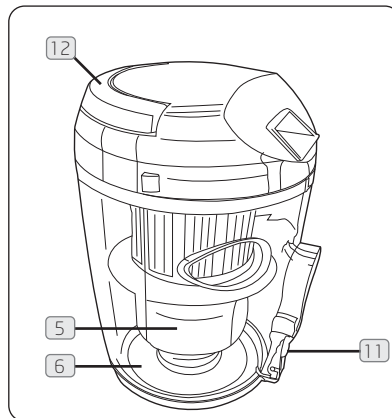
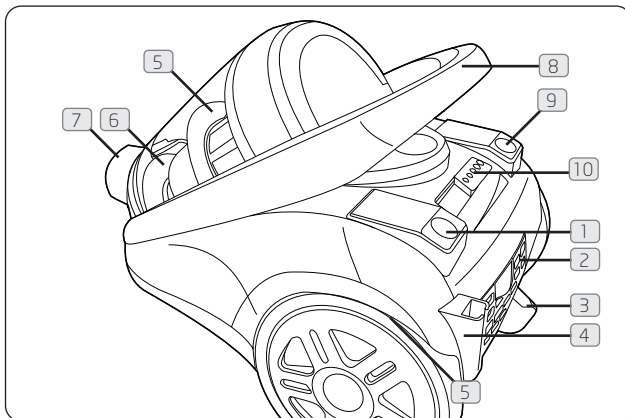
POWER2



Vax Careline: (UK) 0844 412 8455
(ROI) 1-800 928 308

Vax model number: C91-P2 & C90-P2 SERIES

instruction manual



1. Parts Overview

The Unit

1 On/Off Button

Insert the plug into the electrical outlet. Press the on/off switch on the top of the vacuum cleaner, to switch the vacuum cleaner on and press the button again to turn the vacuum cleaner off.

2 Post-motor filter cover

3 Plug

4 Floor tool parking slot

For convenience there is a parking slot located at the rear of the vacuum cleaner where the Floor Tool can be parked for carrying and storage.

5 Pre-motor filter

Located inside the dirt bin.

6 Dirt container

7 Hose inlet

8 Carry handle

Located on the top of the unit, used to move the vacuum cleaner from room to room.

9 Auto-Cord rewind

To rewind the power cord, press the cord rewind button, located on the top of the vacuum cleaner

10 Variable power

Power can be increased or reduced for greater suction control

11 Dirt bin quick release button

Hold the dirt container over a bin and press the release button.

12 Dirt Container Carry Handle

Use the carry handle located on the front of the dirt bin to carry the dirt container.

What is your vax's model number?

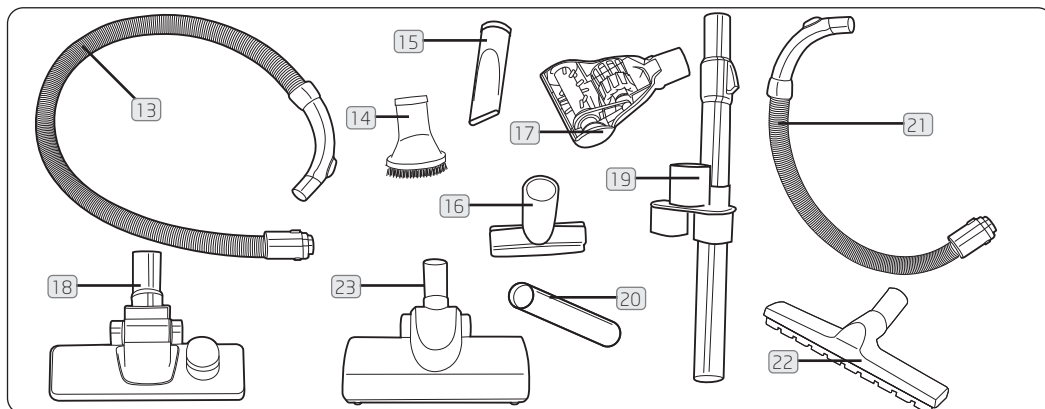
C 9 - P 2 -

What is your vax's serial number?

- - - - (on the base of your cleaner)

Note this down in case you need it in future

vax.co.uk



PLEASE NOTE: some parts may vary according to model. Please check inside flap of box for more details.

The Accessories

13 Hose

14 Dusting brush

For delicate surfaces.

15 Crevice tool

For crevices, corners and cracks

16 Upholstery tool

For carpet, upholstery and stairs etc.

17 TurboTool (Some models only)

Perfect for picking up pet hair

18 Combination floor tool (Some models only)

For carpet and rug cleaning: Press the rocker switch on the Combination floor tool to raise the brushes.
For hard floor cleaning: Press the rocker switch on the Combination floor tool to lower the brushes.

19 Telescopic extension tube

The telescopic tube can be lengthened or shorted by

pushing the button in and sliding the tube apart or together as required. The small tools can be stored on the telescopic tube.

20 TurboTool connector (Some models only)

! IMPORTANT: The connector must be added to the hose handle before the TurboTool may be attached.

21 Stretch Hose (Some models only)

For full height stair cleaning.

NOTE: This should not be used as the main hose. The stretch hose is recommended to be used for stair cleaning. The unit should always be positioned at the bottom of the stairs

22 Hard Floor Tool (Some models only)

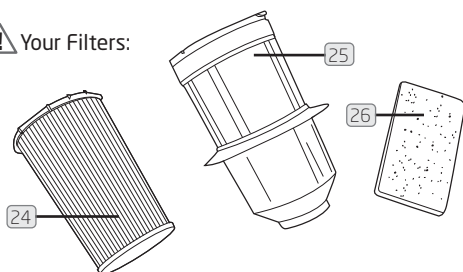
For parquet and laminate flooring.

23 Turbo Brush (Some models only)

NOTE: Not recommended for hard floors. For large carpeted areas.

KEEP YOUR VAX LIKE NEW!

! Your Filters:



Replacement filter kits are available at vax.co.uk

24 HEPA pre-motor filter

25 Pre-motor filter mesh shroud

26 Foam post-motor (Some models only) anti-bacterial filter (Some models only)

! IMPORTANT: The condition of the filters affects the performance of your vacuum cleaner. Please check and wash filters periodically (depending on level of use). For full cleaning instructions see page 4-5.

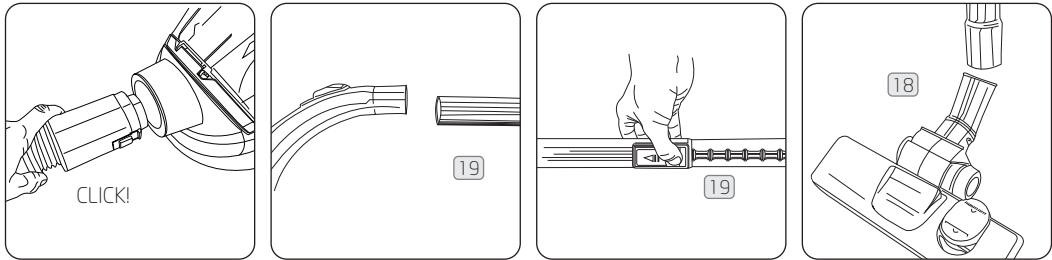
! IMPORTANT: Do not use the vacuum cleaner without all the filters in place.

To replace or purchase parts for your vacuum cleaner, please visit our website:

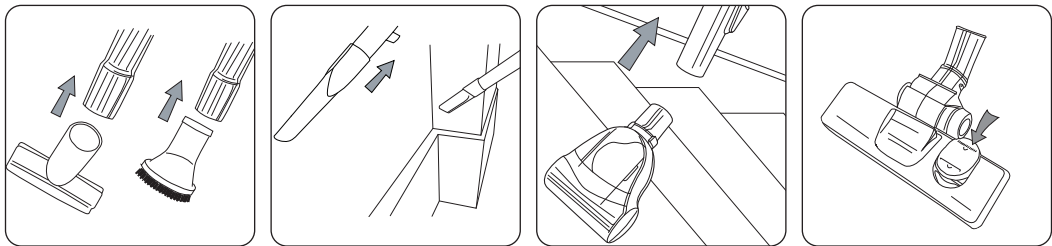
vax.co.uk

If your Vacuum Cleaner or Accessories are Damaged/Faulty
Please Call our Vax Careline on: **0844 412 8455**

2. Assembling your vacuum cleaner

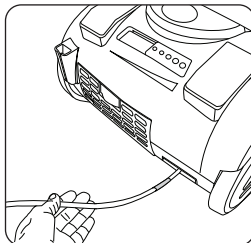


3. Choose the attachments for the job:

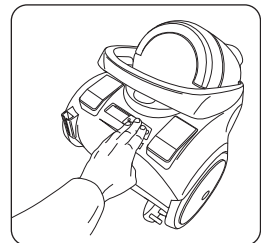
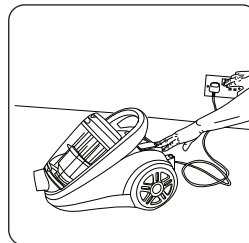


4. Operating the appliance

⚠ WARNING: Always switch off and unplug the vacuum cleaner from the electrical outlet before assembling, opening or emptying the dirt container, or before connecting/ disconnecting the attachments.

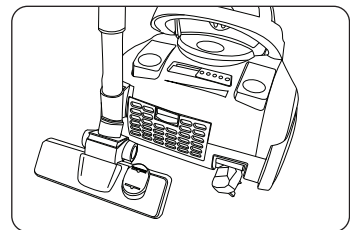
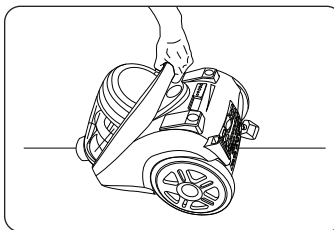
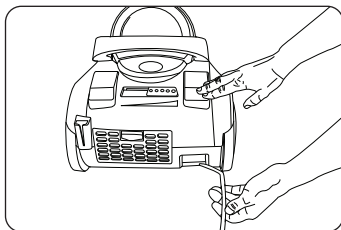


NOTE: Fully unwind the power cord. A yellow mark on the power cord indicates the recommended cord length. Do not exceed the cord length beyond the red mark.



5. Packing away and storage

⚠ IMPORTANT: Always unplug the vacuum from the electrical outlet and rewind the power cord as directed before storing.



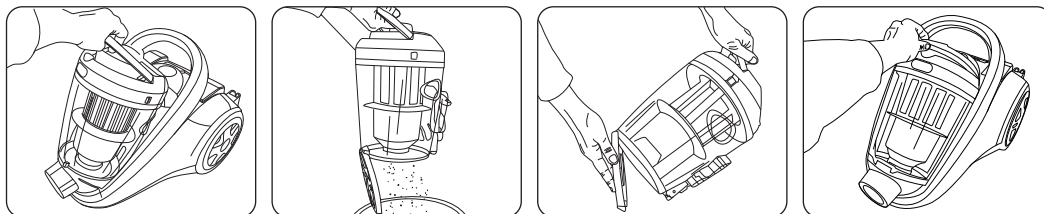
NOTE: When rewinding the power cord, guide the cord with one hand. This will prevent the cord from whipping which could cause damage or injury.

NOTE: For convenience there is a parking slot located at the rear of the vacuum cleaner where the floor tool and hose can be parked for carrying and storage.

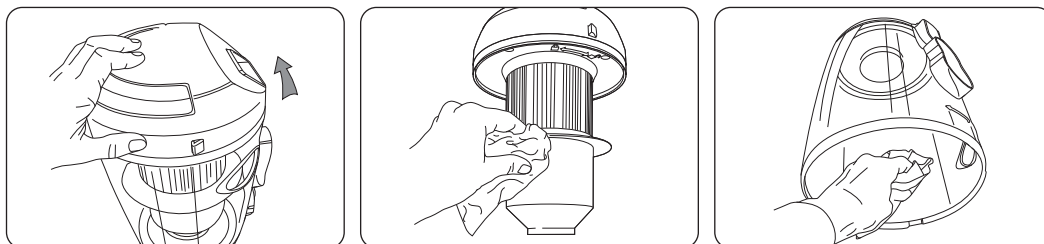
6. Dirt Container: Maintenance

⚠ IMPORTANT : Always switch off and unplug the vacuum cleaner from the electrical outlet before removing the Dirt Container.

Emptying the Dirt Container



Cleaning the dirt bin



7. The Filters: Maintenance

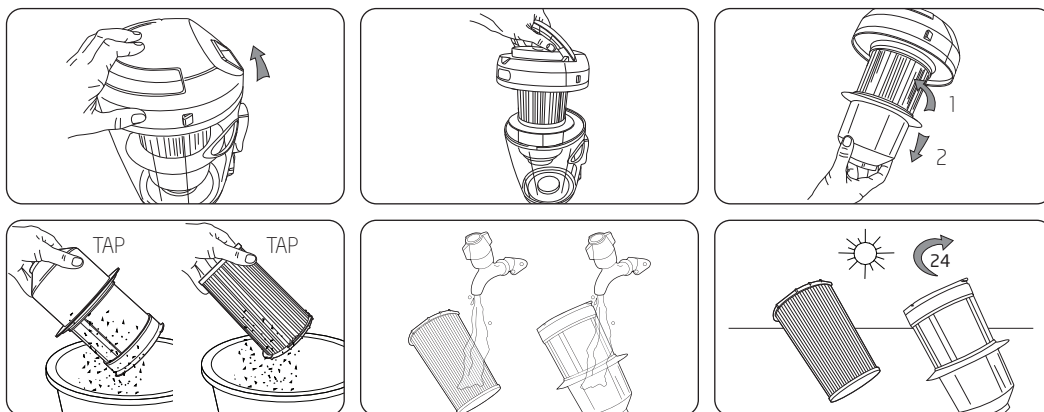
⚠ IMPORTANT: Your vax vacuum cleaner is fitted with high performance filters it is essential that these are well maintained and cleaned according to the following instructions.

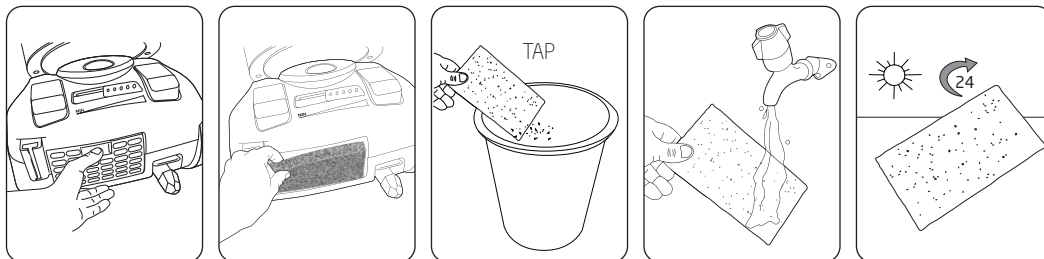
⚠ IMPORTANT : Do NOT use the vacuum without ALL of the filters in place.

Vax recommends that the pre- and post-motor filter should be checked and cleaned periodically depending on the frequency of use and the volume of dirt being picked up on each occasion.

NOTE : Both Pre- and Post-Motor Filters can be rinsed in warm water (max 40°C). Allow to air dry for 24 hours before replacing. Do NOT use any detergents or boiling water to wash the filters.

Cleaning the HEPA Pre- Motor Filter



Cleaning the Post-Motor Filter**NOTE :** This is located at the rear of the vacuum cleaner.

8. Clearing Blockages

⚠ WARNING : To reduce the risk of electric shock, the power cord must be disconnected before performing maintenance/ troubleshooting checks. Turn the vacuum cleaner off and unplug from the electrical outlet.

Hose Blockages

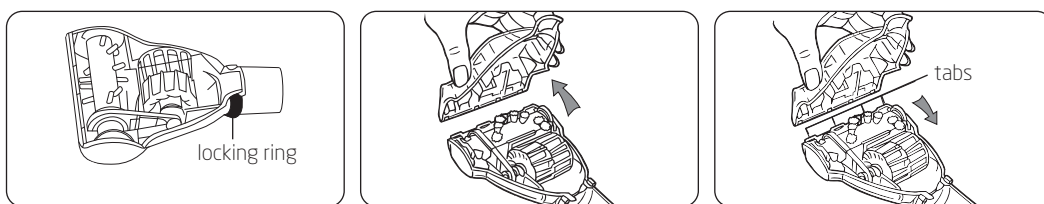
The flexible hose may be disconnected from the vacuum cleaner. Carefully remove any blockages found and reconnect hose securely.

Accessory Blockages

Remove accessory from hose handle/ tube. Carefully remove the blockage and return to the cleaner.

Clearing debris from the TurboTool (Some models only)

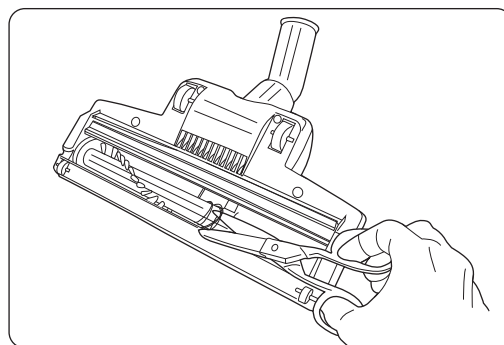
NOTE: Switch the cleaner off and disconnect the power plug from the electrical outlet.

**Removing debris from the TurboBrush (Some models only)**

The brushbar will stop rotating if it is blocked during operation by vacuuming up foreign objects, or if strands of carpet are wrapped around it.

Switch the vacuum cleaner off and disconnect the power plug from the electrical outlet.

Lay the TurboBrush floor head on a flat surface and turn over to expose the brushbar. Using a pair of scissors, cut through any threads or hairs caught by the brushbar that have wrapped around the guides (Fig.7/4).



9. FAQs



WARNING: to reduce the risk of personal injury, unplug the vacuum cleaner before performing maintenance/troubleshooting checks.

Is there an accessory missing?

- Check the 'Parts Overview' page in this guide to make sure that the part is definitely included with your unit.
- If it is missing, please call our Vax Careline to order a replacement: 0844 412 8455 or visit vax.co.uk to order online.

What do I do if an accessory/the unit becomes damaged or broken?

- Visit vax.co.uk for parts and spares.
- Please call our Vax Careline to purchase new spares or order a replacement:
0844 412 8455

Why won't the vacuum cleaner pick up?

- The filters may be clogged: Refer to 'The Filters: Maintenance' (Page 4).
- The Dirt Container is full or blocked: Refer to 'Dirt Container: Maintenance' (Page 4).
- The Dirt Container may be incorrectly installed: Refer to 'Dirt container: Maintenance' (Page 4).

Why won't the accessories pick up properly?

- The accessory may be blocked: Refer to 'Cleaning Blockages' (Page 5).
- The accessory may be faulty: call our Vax Careline to order a replacement:
0844 412 8455

Why is dust escaping from the vacuum?

- The filters may not be installed correctly. Refer to 'The Filters: Maintenance' (Page 4).
- The Dirt container may be incorrectly installed: Remove the Dirt Container from the unit by lifting the Dirt Container release handle (12) and reattach it to the unit, ensuring it is locked firmly back into place.
- The filters may be clogged: Refer to 'The Filters: Maintenance' (Page 4).

Why will the vacuum cleaner not run?

- It may not be plugged into the electrical outlet correctly: Ensure that the plug is pushed into the electrical outlet securely.
- The electrical outlet may not be working: Check the fuse or breaker and consult an electrician.
- The motor Thermostat may have tripped: Switch off and unplug the vacuum cleaner. Leave for one hour before switching the vacuum cleaner back on.

If none of these questions apply to you, or for further assistance please call our Vax Careline team on:
0844 412 8455

10. Safety Information

For Household Use Only

When using the vacuum cleaner, basic safety precautions should always be observed, including the following:

1. Only use the vacuum cleaner indoors on dry surfaces.
2. Turn off the vacuum cleaner controls before connecting or disconnecting from the mains supply.
3. Always unplug the vacuum cleaner before connecting or disconnecting the vacuum hose and accessories.
4. Children should be supervised to ensure that they do not play with the appliance.
5. This appliance is not intended for use by persons (including children) with reduced physical, sensory or mental capabilities, or lack of experience and knowledge, unless they have been given supervision or instruction concerning use of the appliance by a person responsible for their safety.
6. Use only as described in this manual. Use only the manufacturer's recommended attachments.
7. Do not use the vacuum cleaner if it has been dropped, damaged, left outdoors or dropped into water. Do not use the vacuum cleaner with a damaged cord or plug. If the supply cord or plug is damaged, it must be replaced by the manufacturer or a recommended Service Agent to avoid hazard and invalidating the guarantee.
8. Do not pull or carry by the cord. Do not use the cord as a handle, close a door on the cord or pull the cord around sharp edges or corners. Do not run the vacuum cleaner over the cord. Keep the cord away from heated surfaces.
9. Do not handle the plug or vacuum cleaner with wet hands. Do not use outdoors or on wet surfaces.
10. Do not put any objects into openings. Do not use with any openings blocked and do not restrict air flow. Keep all openings free of dust, lint, hair or anything that may reduce airflow.
11. Keep hair, loose clothing, fingers and all parts of the body away from openings and moving parts.
12. Do not pick up hot coals, cigarette butts, matches or any hot, smoking or burning objects.
13. Do not pick up flammable or combustible materials (lighter fluid, petrol, kerosene, etc) or use in the presence of explosive liquids or vapours.
14. Do not vacuum up harmful or toxic material (chlorine bleach, ammonia, drain cleaner, etc).

15. Do not vacuum up hard or sharp objects such as glass, nails, screws, coins, etc.
16. Do not use without the filters in place.
17. Take extra care when vacuuming on stairs.
18. Keep vacuuming area well lit.
19. Store the vacuum cleaner indoors in a cool, dry area.
20. Turn off the on/off switch before unplugging the vacuum cleaner.
21. Use only CE-approved 13 amp extension cords. Non-approved extension cords may overheat. Care should be taken to arrange the cord so that the cord cannot be pulled or tripped over.

! **WARNING:** Always switch off and unplug the vacuum cleaner from the electrical outlet before assembling, opening or emptying the dirt container, or before connecting/disconnecting the attachments.

! **CAUTION:** The vacuum cleaner is a very powerful unit. Before plugging the cord into the electrical outlet, make sure the switch is in the 'off' position. Hold the vacuum cleaner firmly when starting and in use.

! **IMPORTANT:** If the inlet, hose or telescopic tube is blocked, switch off the vacuum cleaner and remove the blockage(s) before re-starting the vacuum cleaner.

! **IMPORTANT:** Washing filters improves vacuum performance. Make sure all the filters are completely dry before inserting back into the vacuum cleaner.

This vacuum cleaner is intended for household use only and not for commercial or industrial use.

Motor Thermostat

! **IMPORTANT:** The motor is equipped with a thermal cut-out. If for any reason, the vacuum cleaner should over-heat, the thermostat will automatically turn the unit off. Should this occur, unplug the vacuum cleaner from the electrical outlet and turn off the switch. Remove the dirt container and empty. Clean the filters. Allow the cleaner to cool for approximately one (1) hour. To re-start, plug into an electrical outlet and switch back on.

vax.co.uk

11. UK Service & Help

(UK) 0844 412 8455
(ROI) 1-800 928 308

Monday-Friday 8.30am to 6.30pm
Saturday-Sunday 9.00am to 5.00pm

Any queries or concerns about using your Vax, call the Vax Careline. Please make a note of the model number and serial number of your Vax before calling. For the nearest Vax Service Agent, please call the Vax Careline or visit vax.co.uk

11. Consumables

To purchase spares and accessories, please visit vax.co.uk

Filter Kit (1-9-128628-00)

12. Technical Specification

Voltage:	220 - 240 ~ 50 Hz
Wattage:	2000W / 2200W (depending on model)
Capacity:	2.6 litres
Filters:	HEPA pre-motor filter - washable Pre-motor filter mesh shroud - washable Anti-bacterial filter - washable (some models only) Foam post-motor filter - washable (some models only)
Cord Length:	6m (approx)
Weight:	6.4 Kg (approx)

Subject to technical change without notice



13. EEC Statement of Compliance

Manufacturer/EEC importer: Vax Limited, hereby on our own responsibility, declare that the C90-P2/C91-P2 Power 2 Series is manufactured in compliance with the following Directives:

Safety: 2006/95/EC Low Voltage Directive

EMC: 2004/108/EC Electromagnetic Compatibility Directive



Waste electrical products should not be disposed of with household waste. Please recycle where facilities exist. Check with your Local Authority or retailer for recycling advice.

Vax Careline: (UK) 0844 412 8455 (ROI) 1-800 928 308

This page has been left intentionally blank

This page has been left intentionally blank

This page has been left intentionally blank

