

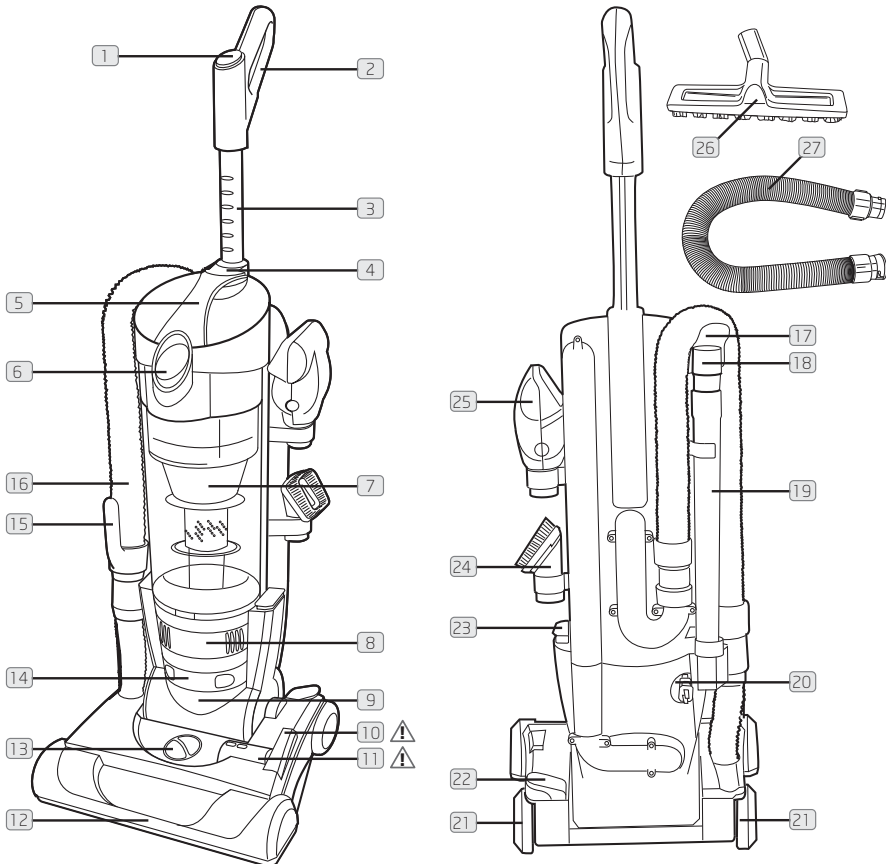


Vax careline
0844 412 8455

Bagless upright

MACH⁵ MACH⁶

Vax model number:
U90-M5 Series
U90-M6 Series






PLEASE NOTE: some parts may vary according to model. Please check inside flap of box for more details.

vax.co.uk

Please read carefully before using this cleaner.
Always fully extend the mains cable before use.
Retain for future reference.

1. Diagram

- 1 **On/Off switch**
Ensure that the plug is inserted securely into the electrical outlet before pressing the on/off switch.
 - 2 **Soft Touch handle grip**
 - 3 **Telescopic handle**
 - 4 **Handle adjustment button**
 - 5 **Carrying handle**
 - 6 **Dirt container release button**
Located at the front of the unit, the dirt container can then be removed for emptying.
 - 7 **Dirt container assembly**
Locked onto the front of the unit
 - 8 **Cord reel window/ Exhaust vent**
To rewind the cord, hold onto the plug and press the button at the top of the cord reel.
 - 9 **Headlight**
IMPORTANT: Disconnect the cleaner from the electrical outlet before removing or installing the headlight.
 - 10 **Brush bar shut-off pedal** 
A foot operated pedal located on the base of the cleaner
 - 11 **Brush bar shut-off indicator** 
The indicator shows red in the "Brush Bar On" window then the brush bar is in operation. The indicator will show red in the "Brush Bar Off" window when it is switched off.
-  **WARNING:** The brush bar must NOT be rotating when cleaning hard floors. Switch the brush bar off to prevent damage to lino, parquet and other hard flooring. See page 5 details.
Vax will not be held responsible for damage to hard floors, including lino, if the customer fails to switch the brush bar off on these surfaces.
- 12 **Furniture guard**
The guard helps prevent cleaner from marking furniture
 - 13 **Carpet height adjuster**
Turn knob to correct setting for height of carpet being cleaned
 - 14 **Post-motor filter**
 - 15 **Hose handle**
 - 16 **Hose**
 - 17 **Hose/tool holder**
 - 18 **Crevice tool**
Can be used in tight spaces, corners and along edges in such places as upholstered furniture, stairs and skirting boards.
 - 19 **Extension tubes**
Used to give extra length to the hose
 - 20 **Cord outlet**
 - 21 **Soft Touch™ wheels**
 - 22 **Handle release pedal**
Step on lever to lower handle to operating or low positions
 - 23 **Cord rewind button**
Press button to rewind cord for storage. Hold plug until cord is rewound
 - 24 **2-in-1 tool**
Dusting brush: for delicate surfaces
Upholstery tool: for carpet, upholstery and stairs etc.
 - 25 **TurboTool**
May be used for upholstered furniture, mattresses, clothing, car interiors and carpeted stairs.
 - 26 **Hard Floor Brush** (Some models only)
 - 27 **Additional stretch hose** (Some models only)

PLEASE NOTE: some parts may vary according to model. Please check inside flap of box for more details.

2. Safety Information

For Household Use Only

When using the vacuum cleaner, basic safety precautions should always be observed, including the following:

1. Only use the vacuum cleaner indoors on dry surfaces.
2. Turn off the vacuum cleaner controls before connecting or disconnecting from the mains supply.
3. Always unplug the vacuum cleaner before connecting or disconnecting the vacuum hose and accessories.
4. This appliance is not intended for use by persons (including children) with reduced physical, sensory or mental capabilities, or lack of experience and knowledge, unless they have been given supervision or instruction concerning use of the appliance by a person responsible for their safety. Children should be supervised to ensure that they do not play with the appliance.
5. Use only as described in this manual. Use only the manufacturer's recommended attachments.
6. Do not use the vacuum cleaner if it has been dropped, damaged, left outdoors or dropped into water. Do not use the vacuum cleaner with a damaged cord or plug. If the supply cord or plug is damaged, return the vacuum cleaner to a Vax Authorised Service Agent or suitably qualified person for examination, repair or adjustment.
7. Do not pull or carry by the cord. Do not use the cord as a handle, close a door on the cord or pull the cord around sharp edges or corners. Do not run the vacuum cleaner over the cord. Keep the cord away from heated surfaces.
8. Do not handle the plug or vacuum cleaner with wet hands. Do not use outdoors or on wet surfaces.
9. Do not put any objects into openings. Do not use with any openings blocked and do not restrict air flow. Keep all openings free of dust, lint, hair or anything that may reduce airflow.
10. Keep hair, loose clothing, fingers and all parts of the body away from openings and moving parts.
11. Do not pick up hot coals, cigarette butts, matches or any hot, smoking or burning objects.
12. Do not pick up flammable or combustible materials (lighter fluid, petrol, kerosene, etc) or use in the presence of explosive liquids or vapours.
13. Do not vacuum up harmful or toxic material (chlorine bleach, ammonia, drain cleaner, etc).

14. Do not vacuum up hard or sharp objects such as glass, nails, screws, coins, etc.
15. Do not use without the filters in place.
16. Take extra care when vacuuming on stairs.
17. Keep vacuuming area well lit.
18. Store the vacuum cleaner indoors in a cool, dry area.
19. Turn off the on/off switch before unplugging the vacuum cleaner.
20. Use only CE-approved 13 amp extension cords. Non-approved extension cords may overheat. Care should be taken to arrange the cord so that the cord cannot be pulled or tripped over.

! **WARNING:** Always switch off and unplug the vacuum cleaner from the electrical outlet before assembling, opening or emptying the dirt container, or before connecting/disconnecting the attachments.

! **CAUTION:** The vacuum cleaner is a very powerful unit. Before plugging the cord into the electrical outlet, make sure the switch is in the 'off' position. Hold the vacuum cleaner firmly when starting and in use.

! **IMPORTANT:** If the inlet, hose or extension tube is blocked, switch off the vacuum cleaner and remove the blockage(s) before re-starting the vacuum cleaner.

! **IMPORTANT:** Cleaning filters regularly improves vacuum performance. Make sure all filters are replaced back into the vacuum cleaner before using. This vacuum cleaner is intended for household use only and not for commercial or industrial use.

PLEASE KEEP THESE INSTRUCTIONS FOR FURTHER USE.

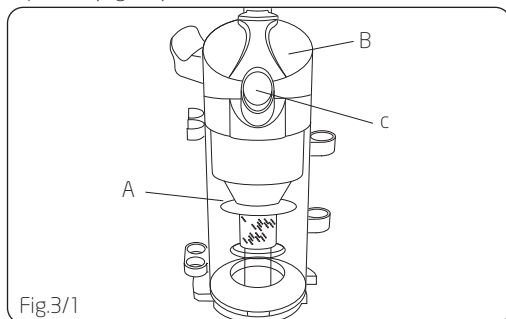
Motor Thermostat

! **IMPORTANT:** The motor is equipped with a thermal cut-out. If for any reason, the vacuum cleaner should over-heat, the thermostat will automatically turn the unit off. Should this occur, unplug the vacuum cleaner from the electrical outlet and turn off the switch. Remove the dirt container and empty. Clean the filters. Allow the cleaner to cool for approximately one (1) hour. To re-start, plug into an electrical outlet and switch back on.

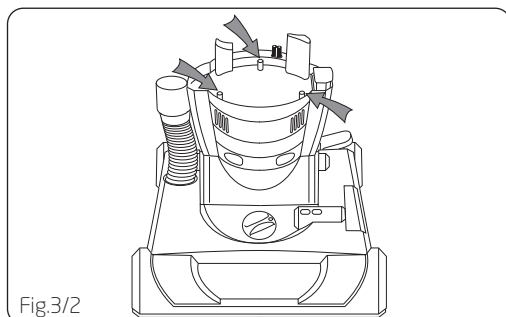
3. How to assemble

Attach Upper Housing

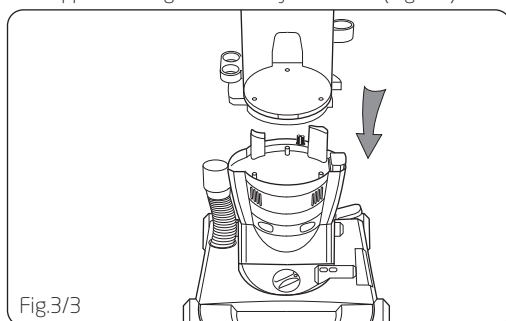
Remove dirt cup (A) from upper housing (B) by pressing dirt cup release button (C) and pivoting cup out. Set dirt cup aside (Fig.3/1).



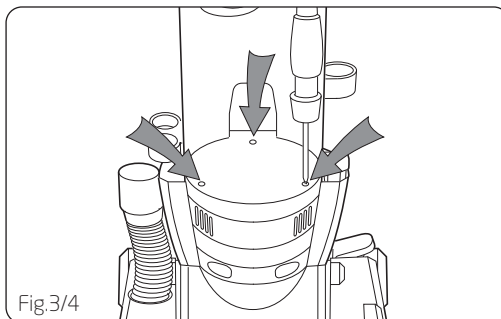
Using a Phillips screwdriver, remove (3) screws from cleaner base. **DO NOT DISPOSE OF SCREWS.** Remove cardboard and discard (Fig.3/2).



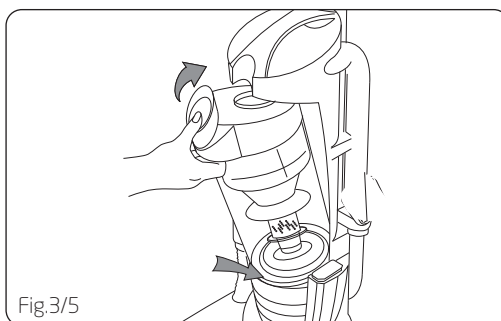
Align upper housing over cleaner base and slide down until upper housing sits securely over base (Fig.3/3).



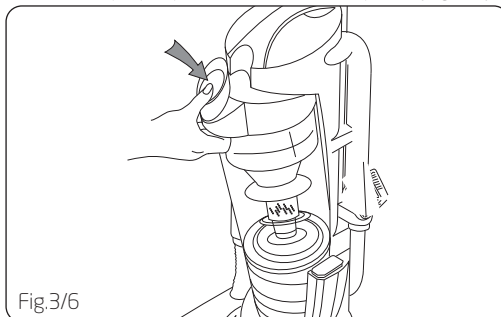
Using a Phillips screwdriver, fasten (3) screws located at the bottom of the upper housing (Fig.3/4).



Place bottom of dirt container into cleaner body first. Pivot container into cleaner body (Fig.3/5).



Press on dirt container release button while firmly pressing on the container. Release button in order for it to return to proper position and lock into place. (Fig.3/6).



Attach Hose

Align end of hose with projections (A) over slots on dirt duct (B). Slide hose into slots and twist hose to lock it into place (To detach hose, reverse procedure) (Fig.3/7).

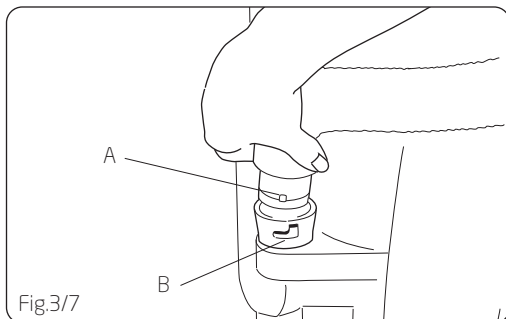


Fig.3/7

Position hose over rack (A) and into hose tube (B) (Fig.3/8).

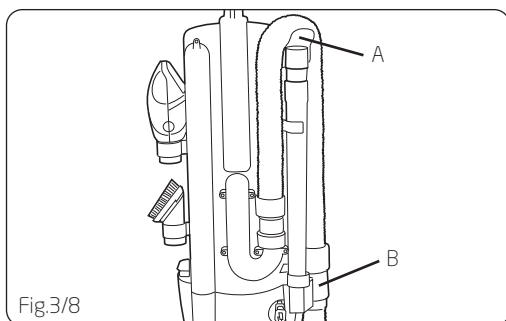


Fig.3/8

NOTE: Hose must be connected at the hose tube and at the dirt duct on the back of the cleaner for carpet or floor cleaning. For tool use, refer to next chapter.

Attach Handle

NOTE: DO NOT remove orange tie wrap until the next step is complete.

Grasp orange tie wrap (A) and pull until the black plug (B) comes out of the handle cavity (Fig.3/9).

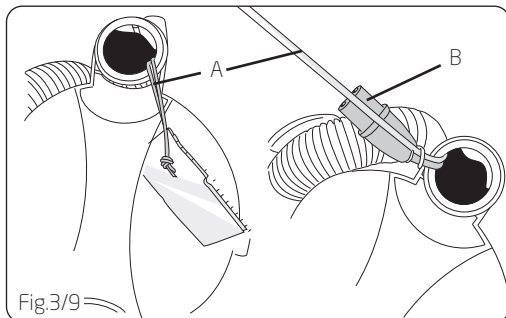


Fig.3/9

Hold plug (B) with one hand; upper handle (C) with other hand. Push plug into upper handle, aligning with opposite end of plug and push firmly **UNTIL YOU HEAR A SNAP OR A CLICK** (Fig.3/10).

After ends are connected, pull on plug to make sure it is securely attached.

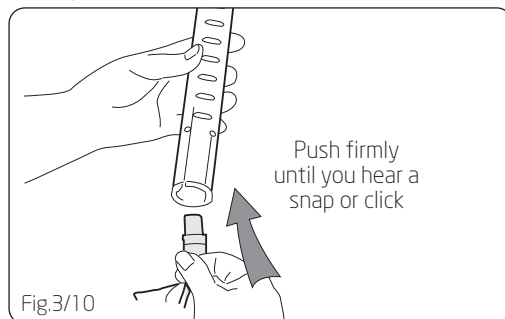


Fig.3/10

NOTE: The plug will only fit together one way. If plug is not fitting together, check alignment of ends. After the plug ends are fully connected, the orange tie wrap must be removed. Use caution so as NOT TO CUT the black power cord. Discard the orange tie wrap.

Align the groove on the back of the upper handle with the small projection on the back of the handle housing (Fig.3/11).

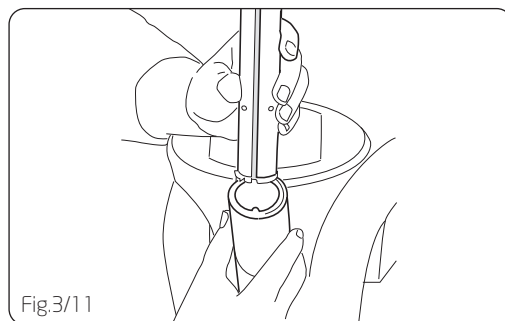


Fig.3/11

Press button at handle base and push handle all the way down (Fig.3/12).

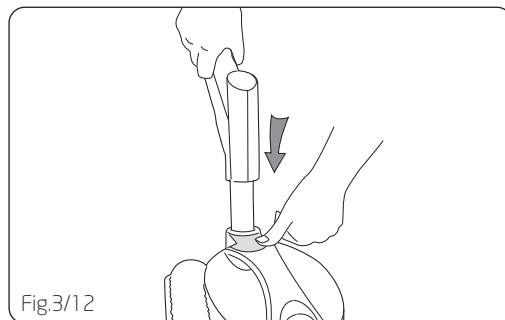


Fig.3/12

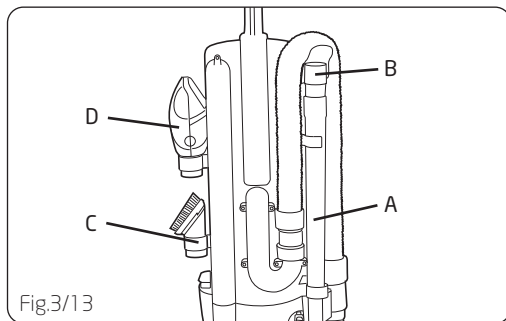
vax.co.uk

Position Tools

Place smaller diameter end of extension tube (A) into bottom of rack. Snap extension tube into clip at top. Repeat with other extension tube.

Crevice tool (B) fits into one of the extension tubes.

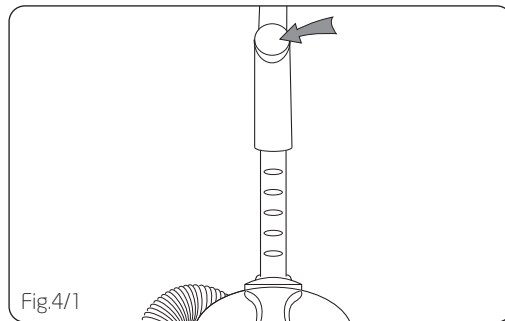
Fit 2-in-1 tool (C) and TurboTool (D) into storage areas on side of cleaner as shown (Fig.3/13).



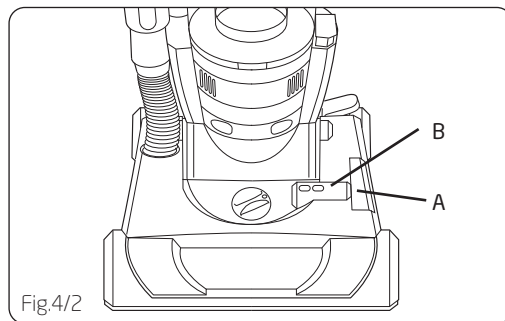
4. How to operate

On/Off Switch

Plug cord into electrical outlet. To turn cleaner ON, push ON/OFF switch once. To turn cleaner OFF, push switch again (Fig.4/1).



The cleaner is shipped with the brushbar in the OFF position. To turn the brushbar ON, step on the pedal (A). The indicator (B) will show red in the "Brushbar on" window (Fig.4/2).



Cord Rewind

Grasp the end of the plug and pull to release cord from cord reel. After desired cord length is reached, the cord will lock into position.

To return cord for storage, hold plug and press on button (A) at top of cord reel (Fig.4/3).

NOTE: To prevent cord from whipping, hold plug until cord is rewound.

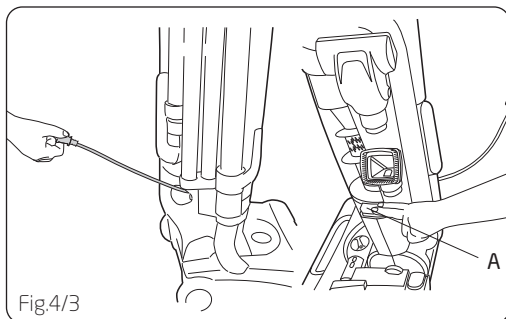


Fig.4/3

Telescopic Handle

The telescoping handle includes adjustable settings to various heights for user comfort. The handle is designed to retract into the body of the cleaner for convenience in storing or carrying the cleaner.

Lower the handle by depressing the button (A) located at the handle base and pushing the handle down.

Raise the handle by depressing the button and pulling the handle upward, locking it into the desired position (Fig.4/4).

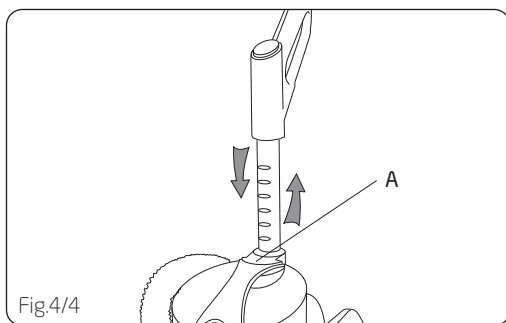


Fig.4/4

Transporting Cleaner

To move your cleaner from room to room, put handle in upright position, tilt cleaner back on rear wheels and push forward (Fig.4/5).

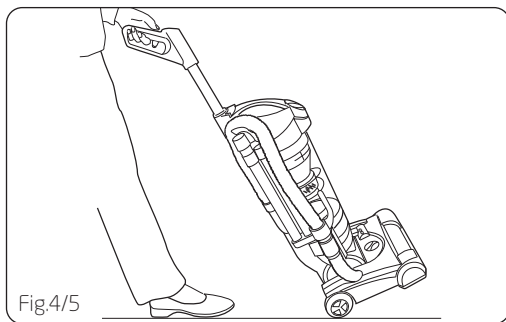


Fig.4/5

Carrying Cleaner

The cleaner can also be moved by using the carrying handle (Fig.4/6).

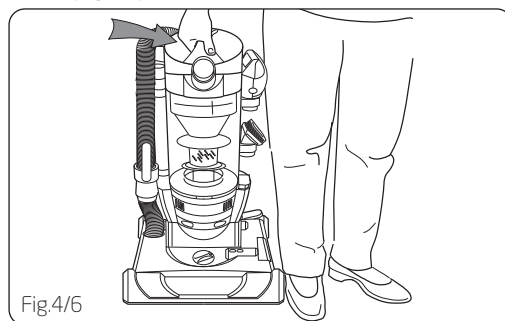


Fig.4/6

Handle Positions

The handle of your cleaner has three positions; upright for storage and when using cleaning tools; operating position for general operation on carpet and floors; low for reaching under low furniture. Step on handle release lever to lower handle (Fig.4/7).

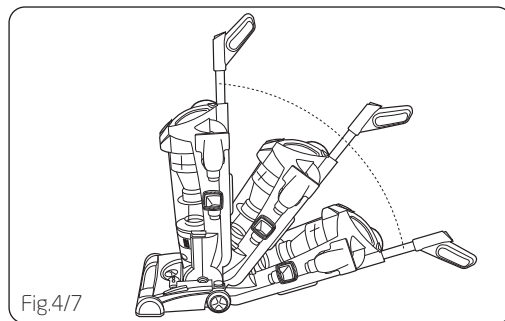


Fig.4/7

Carpet Height Adjustment

The cleaning of carpet and rugs takes place at the nozzle.

When it is necessary to raise and lower the nozzle for various carpet pile heights, turn the carpet height adjuster (A) to the desired setting (Fig.4/8).

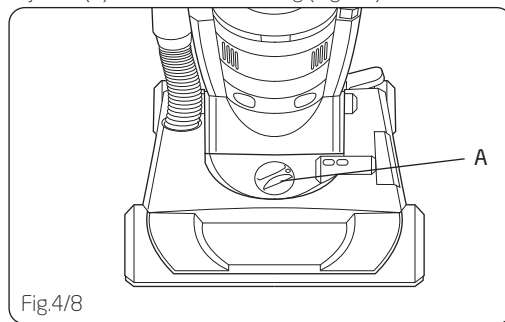


Fig.4/8

Settings

For maximum cleaning performance, the following carpet height settings are recommended (Fig.4/9):

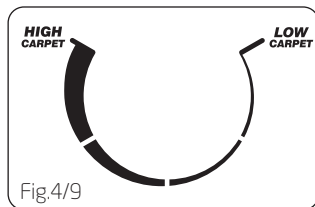


Fig.4/9

NOTE: If the cleaner is difficult to push, turn knob to the next higher setting.

- Higher settings: for very deep pile carpet, where easier pushing effort is desired, while maintaining good cleaning performance.

Brushbar Shut-off

The brushbar shuts off automatically for tool use, when the cleaner is in the upright position.

WARNING: The brush bar must NOT be rotating when cleaning hard floors. Switch the brush bar off to prevent damage to lino, parquet and other hard flooring.

To manually shut off the brushbar for cleaning hard floors, step on the pedal (A). The indicator (B) will show red in the "brushbar off" window (Fig.4/10).

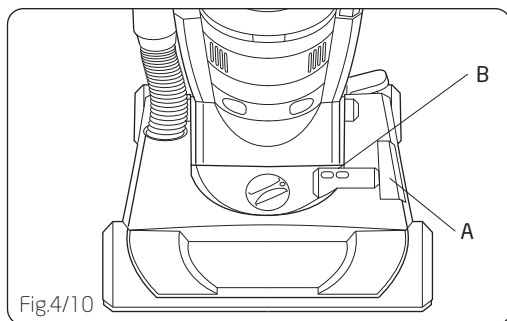


Fig.4/10

To turn the brushbar on, step on the pedal again. The indicator will show red in the "brushbar on" window.

Cleaning Lightweight Flexible Rugs

Stand on one end of rug and move cleaner toward other end or edge. Before reaching edge, push down on handle. This will lift up the nozzle (front of cleaner) as shown and will prevent rug from clinging to cleaner (Fig.4/11).

Continue to lift up nozzle so that when you have reached the edge, it is completely off the rug. Move cleaner back to start again, lower nozzle, and use only forward strokes.

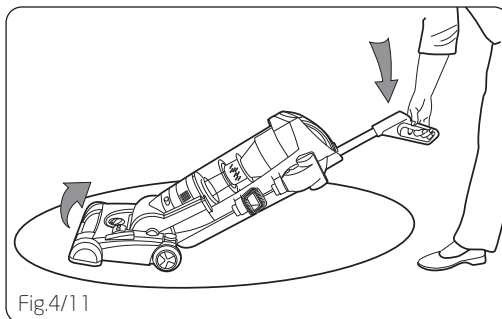


Fig.4/11

Cleaning Tools

Tools allow for cleaning surfaces above the floor and for reaching hard to clean areas.

The cleaner is ready for tool use when handle is in upright position.

CAUTION: The brushbar will not rotate when the cleaner is in the upright position or the if the brushbar shut off indicator is in the OFF position when the handle is lowered.

How to Clean Tools

To clean the hose and TurboTool, wipe off dirt with a cloth dampened in a mild detergent. Rinse with a damp cloth. **DO NOT submerge TurboTool in water.**

Cleaning tools may be washed in warm water with a detergent. Rinse and air dry before using.

Removing Hose

When using cleaning tools, place cleaner handle in the upright position. The brushbar will not rotate when the cleaner is in the upright position.

Also, turn cleaner OFF before disconnecting and connecting hose to hose tube (A).

To use hose, lift hose end (B) as shown (Fig.4/12).

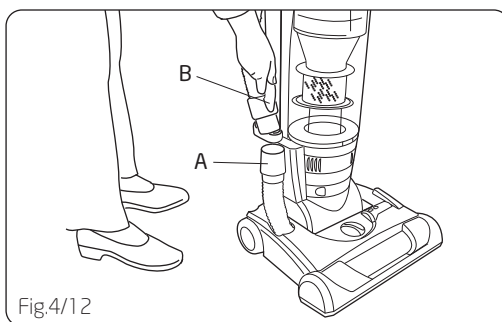


Fig.4/12

When you are finished cleaning with the tools, reposition hose end into tube.

Select Proper Tool

TurboTool: may be used for upholstered furniture, draperies, mattresses, clothing, automobile interiors, and carpeted stairs.

Crevice tool: may be used in tight spaces, corners and along edges in such places as dresser drawers, upholstered furniture, stairs and baseboards.

Extension tubes: are used to give extra length to your hose. Use them with any of the above tools.

Floor brush: (some models only)
use on hard surface floors.

Attach extension tube and tools

Attach tool or extension tube to the hose. Attach tool to extension tube by pushing it firmly onto the tube. Twist tube or tool slightly to tighten or loosen the connection.

2-in-1 tool

use with brush for carved furniture, table tops, books, lamps, lighting fixtures, venetian blinds, baseboards, shutters, and registers.

Remove brush to clean upholstered furniture, draperies, mattresses, clothing, and carpeted stairs.

Slide brush to remove. To replace brushes, align bottom of brush with grooves on tool. Slide brush into place (Fig.4/13).

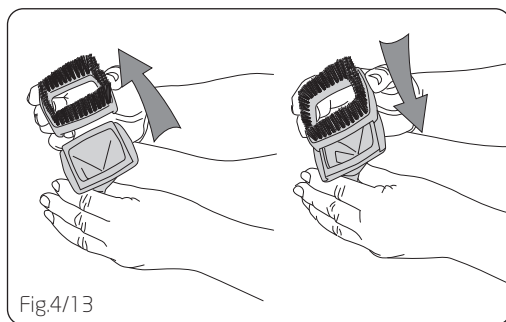


Fig.4/13

Extra Reach Hose (some models only)

The Extra Reach hose provides easier cleaning of stairs and hard to reach places. Follow the steps below for attaching and detaching the Extra Reach hose.

Turn cleaner OFF before disconnecting and connecting hose.

Remove hose end from dirt duct (A). Align end of Extra Reach hose with projections (B) over slots on dirt duct (C). Slide hose into slots and twist hose to lock it into place (Fig.4/14).

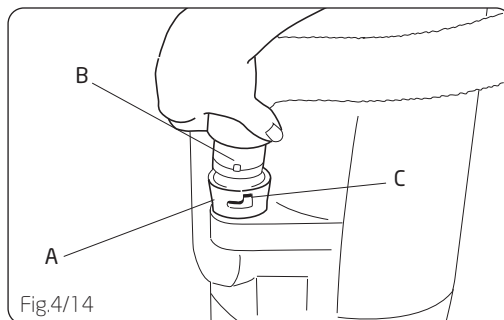


Fig.4/14

Align end of hose with projections (A) over slots (B) on Extra Reach hose. Slide hose into slots and twist hose to lock it into place. (To detach hose, reverse procedure) (Fig.4/15).

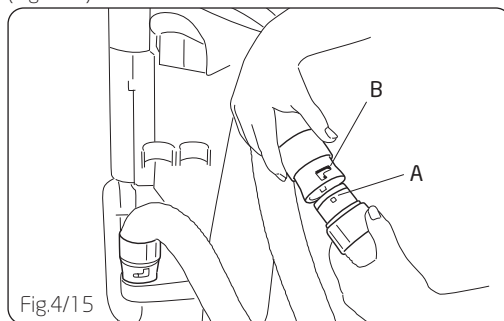


Fig.4/15

Attach extension tubes or tools to the other end of hose.

NOTE: Hose must be connected to dirt duct and hose tube after removing Extra Reach hose for carpet or floor cleaning.

Attach Extension Tube and Tools

Attach tool or extension tube to the hose.

Attach tool to extension tube by pushing it firmly onto the tube. Twist extension tube or tool slightly to tighten or loosen the connection (Fig.4/16).

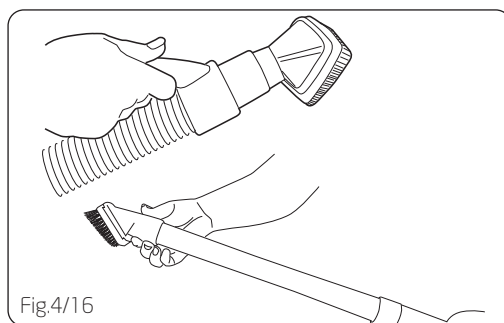


Fig.4/16

5. Dirt container & filters: removal & replacement

NOTE: Familiarize yourself with these home maintenance tasks as proper use and care of your cleaner will ensure continued cleaning effectiveness.

Emptying the Dirt Container

Empty the dirt cup before the dirt reaches the fill line (A) (Fig.5/1).

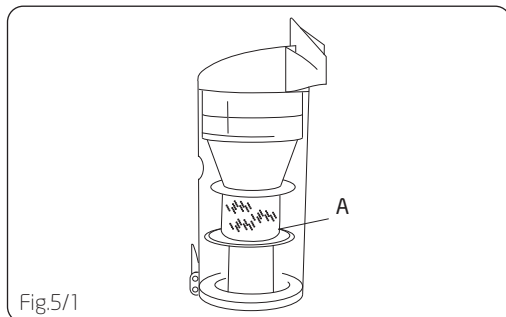


Fig.5/1

! CAUTION: Very fine materials, such as building dust, may seal the filter and cause a reduction in performance.

When using the cleaner for this type of dust, empty the cup and clean the filters often.

How to Empty

! IMPORTANT: Disconnect cleaner from electrical outlet. Do not use the cleaner without dirt cup or filters in place.

Press dirt cup release button (A) and pivot cup out (Fig.5/2).

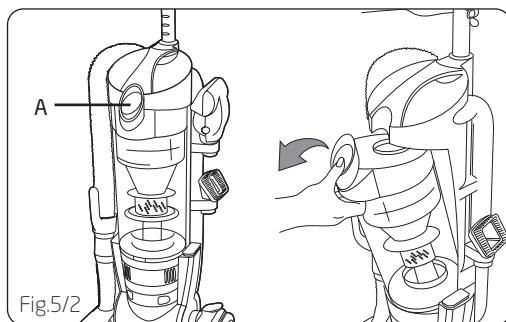


Fig.5/2

Holding dirt cup over trash receptacle, press dirt cup door release button (A) to open dirt cup door (Fig.5/3).

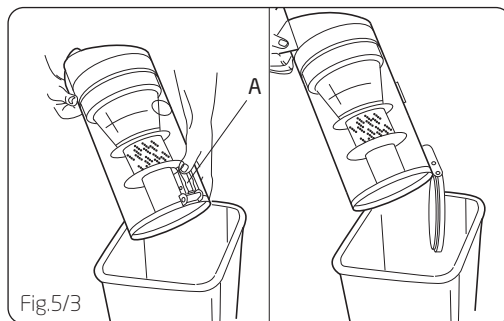


Fig.5/3

Close door and press dirt cup door release button to latch dirt cup door closed.

Place bottom of dirt cup in first. Pivot cup into cleaner body (Fig.5/4).

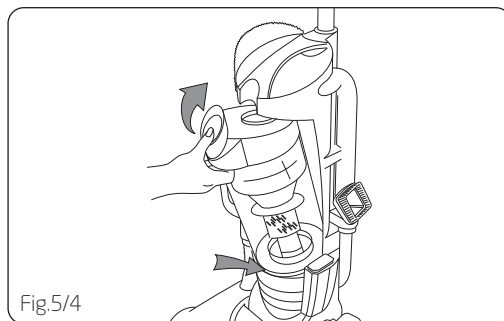


Fig.5/4

Press on dirt cup release button while firmly pressing on dirt cup. Release button in order for it to return to proper position and lock the dirt container into place (Fig.5/5).

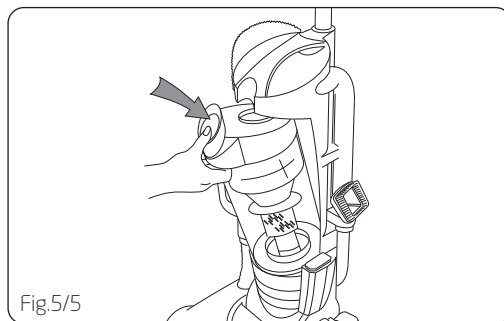


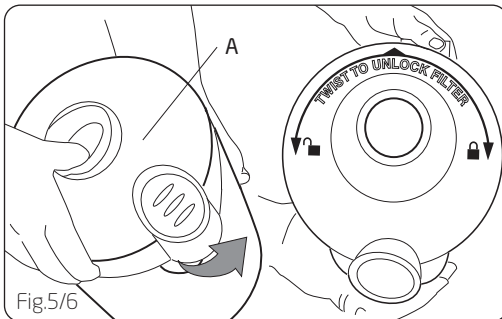
Fig.5/5

Cleaning Filters

Cleaning the Cyclonic Filter Assembly

! IMPORTANT: Disconnect cleaner from electrical outlet. Do not use cleaner without dirt cup or filters in place.

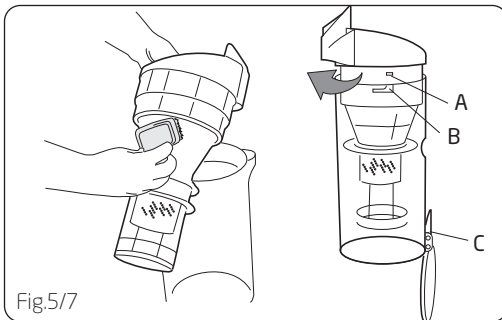
Remove dirt container as described above. Twist filter assembly counterclockwise. Remove assembly from dirt container (Fig.5/6).



Dirt and debris can be cleaned from the filter assembly by brushing with the cleaner's combination tool.

Place the filter assembly on the dirt cup, aligning tabs (A) on either side of filter with slots on dirt cup (B) and twist it clockwise to secure into position.

Press dirt cup door release button (C) to latch dirt cup door closed (Fig.5/7).



Replace dirt cup as described above.

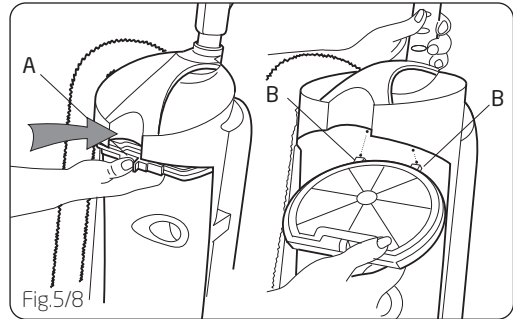
Cleaning the Secondary Filter

! **IMPORTANT:** Disconnect cleaner from electrical outlet. Do not operate cleaner without dirt cup or filters in place.

Remove dirt cup as previously described.

With thumb, slide latch (A) located at the top of the housing to the right and pull down to remove gray filter frame. Remove black foam filter. Rinse filter frame cartridge and foam filter under cold water.

Allow both filter frame and filter to air dry for 24 hours before replacing filter into filter frame. Reposition filter frame cartridge by inserting tabs (B) into slots on back of housing. Rotate filter cartridge frame up toward top of housing and snap closed. top of dirt cup cavity and snap closed (Fig.5/8).

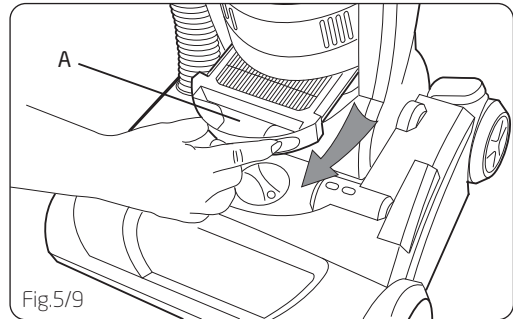


Cleaning the HEPA Final Filter/Anti-Bacterial Filter (only VZL-6015A, VZL-6015AA, VZL-6016AA)

! **IMPORTANT:** Disconnect cleaner from electrical outlet. Do not operate cleaner without dirt cup or filters in place.

Remove dirt cup as previously described.

With fingers in slots, pull filter frame (A) straight out. Dirt and debris can be cleaned from the filter cartridge by



brushing with the cleaner's combination tool (Fig.5/9).

NOTE: Filter cartridge can also be washed by rinsing under cold running water.

Slide back into position on cleaner.

6. Maintenance

Replacing the Headlight

Removing lens

Disconnect cleaner from electrical outlet.

Press handle release pedal and place handle in low position.

Using a Phillips screwdriver, remove the the screw as shown and lift off lens (Fig.6/1).

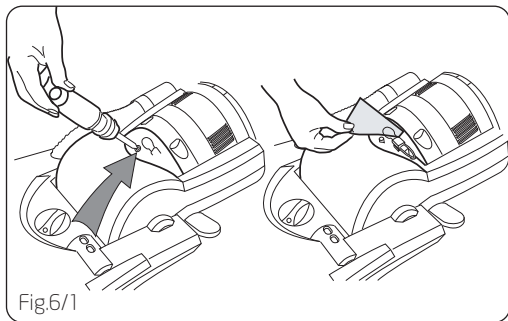


Fig.6/1

Pull old bulb straight out of socket. Push new bulb straight into socket until locked in place (Fig.6/2).

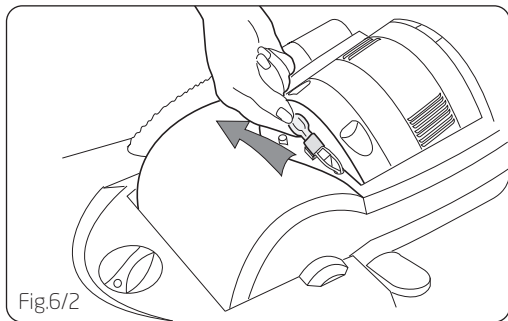


Fig.6/2

Excessive force is not required.

Reposition lens and secure with the screw.

Belt Replacement

The belts are located under the bottom plate of the cleaner and should be checked from time to time to be sure they are in good condition.

The flat (wide) belt is described below; the other belt is described under "Brushbar".

! IMPORTANT: Disconnect cleaner from electrical outlet. Brushbar can start suddenly. Unplug cleaner before turning it over.

To check the flat belt, remove bottom plate as shown below. Replace belt if it is stretched, cut or broken.

Replacing Flat Belt

Disconnect cleaner from electrical outlet.

Place handle in low position and turn cleaner over so bottom side is facing up.

Remove the 6 screws as shown with a Phillips screwdriver. Lift off bottom plate (A). (Fig.6/3).

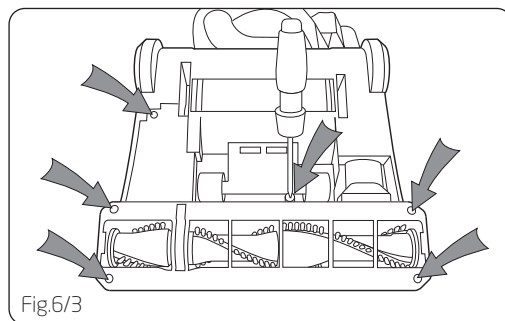


Fig.6/3

Remove used belt from large pulley and discard. (Fig.6/4).

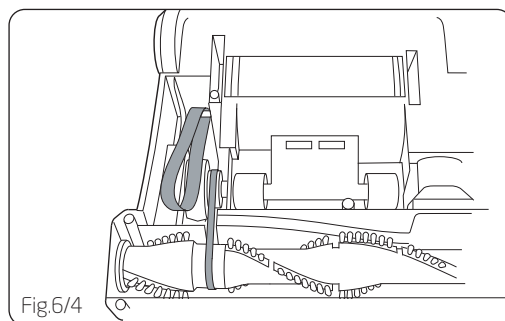


Fig.6/4

With lettering on outside of belt, slide new belt over motor shaft (A) (Fig.6/5).

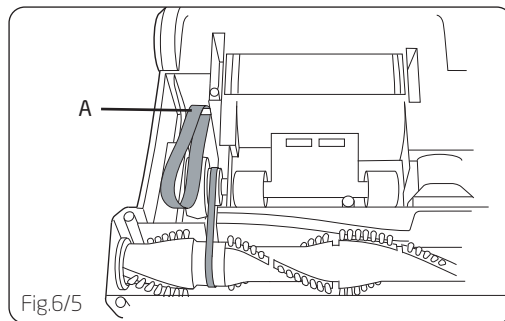


Fig.6/5

Place other end of belt over large pulley (A) while rolling the pulley in direction shown (Fig.6/6).

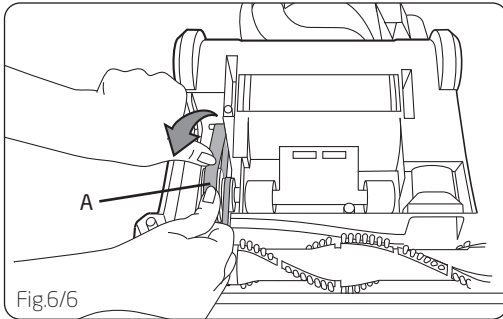


Fig.6/6

Turn brushbar making sure belt turns freely and is not pinched between a brushbar and shield (Fig.6/7).

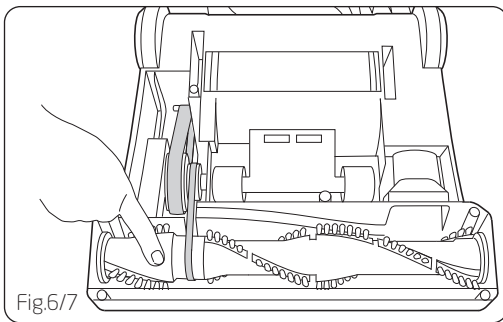


Fig.6/7

Reposition bottom plate and 6 Phillips head screws (as Fig.6/3). Tighten screws securely.

Replacing the Brushbar

When brushbar brushes are worn, the brushbar should be replaced.

⚠ WARNING: Disconnect cleaner from electrical outlet. Brushbar can start suddenly. Unplug cleaner before turning it over.

To check condition of brushes, move edge of a card across bottom plate while turning brushbar. To maintain cleaning effectiveness, replace brushbar if brushes do not touch card (Fig.6/8).

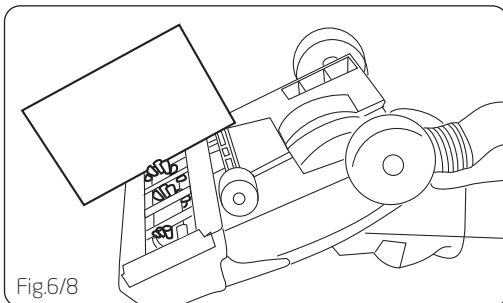


Fig.6/8

Disconnect cleaner from electrical outlet.

Turn carpet height adjustment knob to lowest setting.
Turn cleaner over and remove bottom plate.

Lift up brushbar and slide V-belt (A) off brushbar (Fig.6/9).

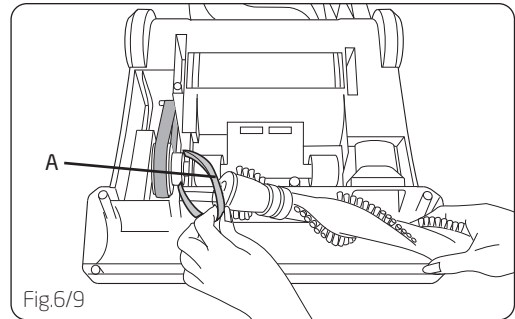


Fig.6/9

Inspecting the V-belt

The V-belt is designed to last for a long time and is not normally replaced. However, if the V-belt is cracked, gouged or broken, it should be replaced.

Slide flat belt off large pulley as shown previously.

To remove V-belt, slide back of belt over pulley (A). Then firmly pull on belt and "snap" it out. Discard used belt.

To install new belt (with lettering on outside of belt), slide back of belt over pulley and pull front of belt toward groove (B) next to pulley. Belt will "pop" into place (Fig.6/10).

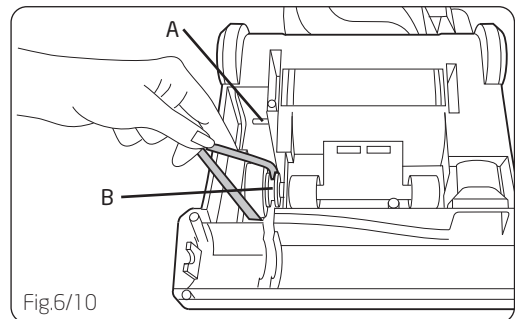


Fig.6/10

Positioning Belt on Brushbar

Before positioning belt onto brushbar, check for debris accumulation as described in the Clearing Blockages section.

Insert brushbar through belt and position belt in groove (A) on brushroll (Fig.6/11).

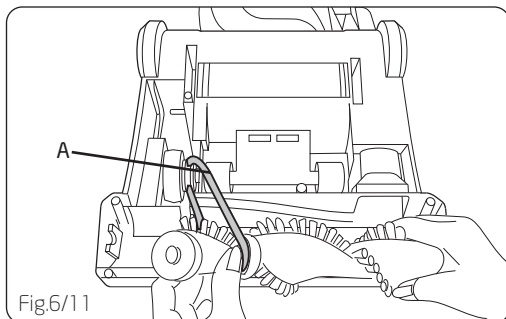


Fig 6/11

Grasp brushbar firmly and fit it into position by first sliding end opposite the belt into the rectangular slot (A) on side of cleaner. Pull other side of brushbar (B) into place (Fig.6/12).

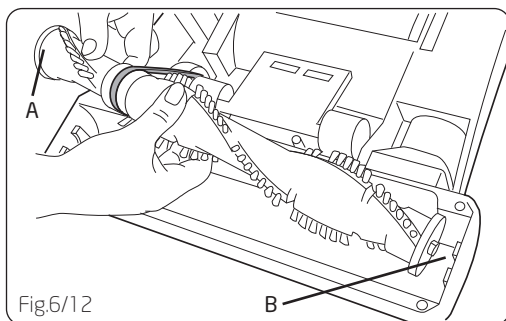


Fig 6/12

Belt may fit loosely when properly installed. Reposition flat belt and bottom plate as described previously.

TurboTool Brush Bar Replacement

When brushbar brushes are worn, the brushbar should be replaced.

Remove tool from hose and turn it so bottom faces up. Press the latches on both sides of tool and remove bottom plate (A) (Fig.6/13).

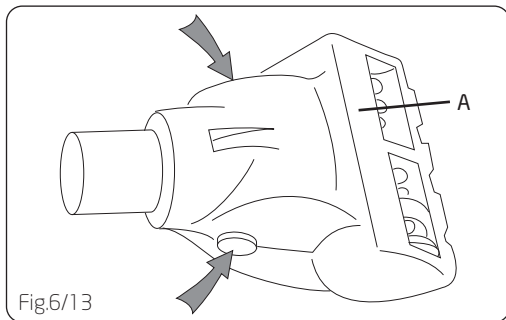


Fig 6/13

Unscrew the two Phillips screws and remove belt guard (Fig.6/14).

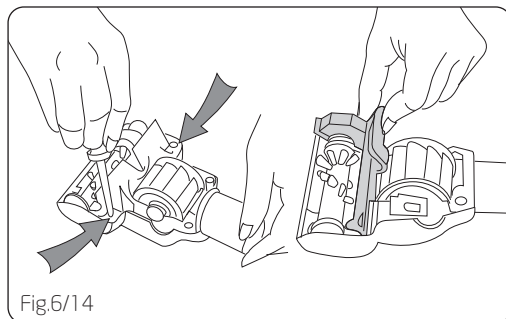


Fig 6/14

Remove brushbar including end plates (A) and discard.

Inspect belt to ensure that it is in good condition. If belt is cracked, gouged or broken, replace it (see following section).

Insert brushbar through belt and position belt over gear teeth (B) on brushbar (Fig.6/15).

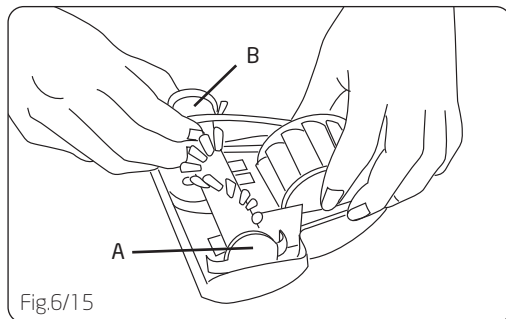


Fig 6/15

With curved ends down, slide end plates (A) of brushbar into slots (B) on tool (Fig.6/16).

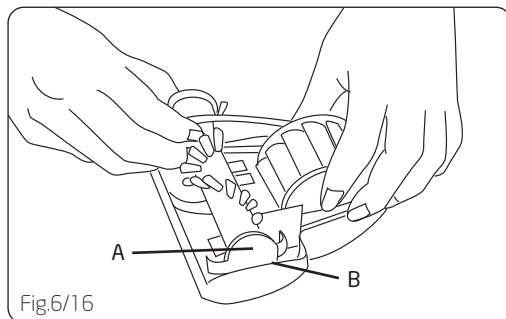


Fig 6/16

Replace belt guard (A) making sure not to pinch brush bristles in guard. Turn brushbar, to make sure it rotates freely (Fig.6/17).

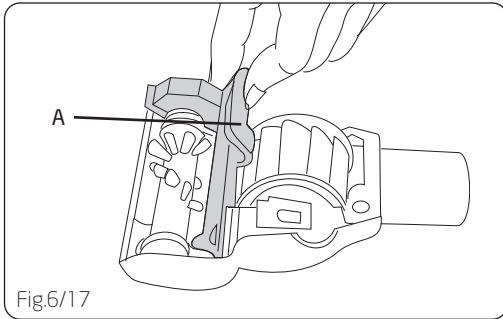


Fig.6/17

Replace and tighten screws.

To replace bottom plate, insert the four tabs on edge of bottom plate into slots on front of tool.

Pivot bottom plate down and snap closed (Fig.6/18).

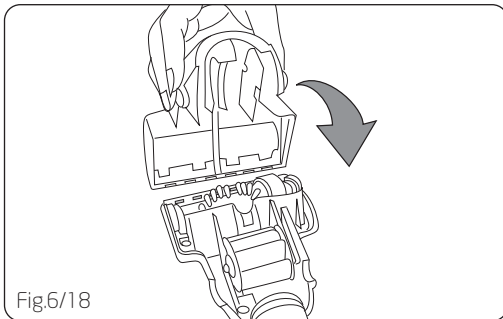


Fig.6/18

TurboTool Belt Replacement

The TurboTool belt is designed to last a long time and is not normally replaced. However, if the belt is cracked, gouged or broken, it should be replaced.

Remove tool from hose. The belt can be seen through the top of the nozzle or by removing the bottom plate and belt guard (Fig.6/19).

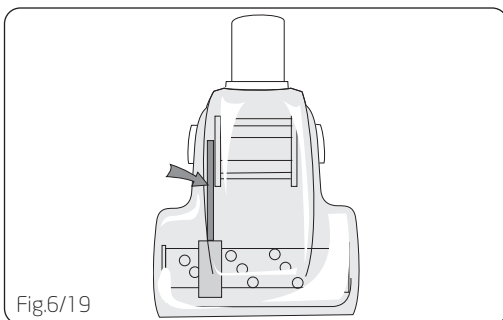


Fig.6/19

Remove tool from hose. Remove bottom plate, belt guard and brushbar as described previously.

Grasp turbine (A) and pull firmly to remove. Remove belt from turbine pulley (B). Replace with new belt (Fig.6/20).

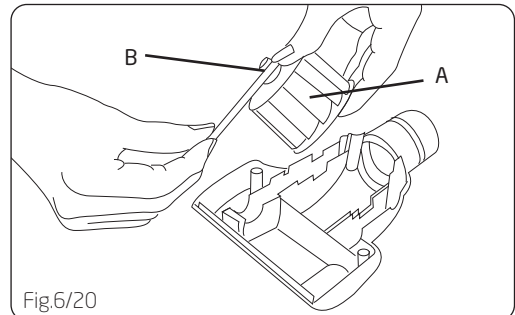


Fig.6/20

With flat sides of turbine retainers (A) pointing down, slide retainers into grooves (B) in tool housing and snap into place (Fig.6/21).

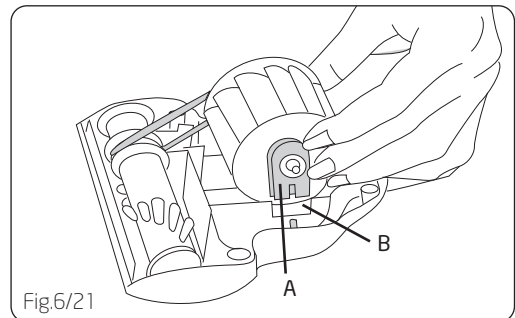


Fig.6/21

Replace brushbar, belt guard, and bottom plate as described previously.

7. Clearing blockages

! **IMPORTANT:** Disconnect cleaner from electrical outlet before attempting to clear blockages.

Low suction or pick up may be due to a blockage in the system. Refer to the following steps to check for blockages continuing with each step until the blockage is found:

Check fullness of dirt cup; empty if needed.

Checking Airflow Path

Plug cleaner in and turn ON. Check for suction at end of hose (A) (Fig.7/1). If there is suction, continue with next step.

Turn cleaner OFF and unplug. Check connection at hose tube (B); remove any blockage.

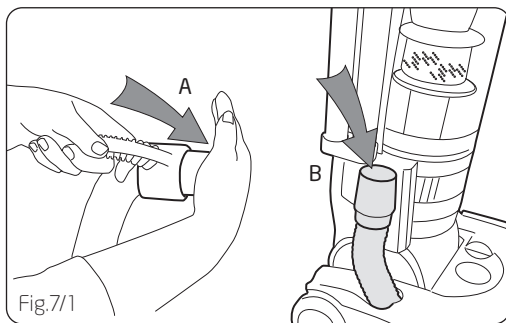


Fig.7/1

Checking Airflow Path Through Hose Inlet Tube on Back of Cleaner

Turn cleaner OFF and unplug.

If blockage can be seen in tube (A), remove 5 screws using a Phillips screwdriver. Pull tube from cleaner, remove blockage (Fig.7/2).

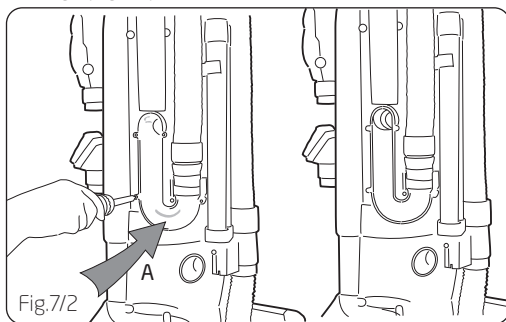


Fig.7/2

Reposition tube on back of cleaner, replace 5 screws.

Checking Under Hood

Turn cleaner OFF and unplug.

Remove hood, belt and brushbar as described in previous section. Look into opening (A) for blockages and remove (Fig.7/3).

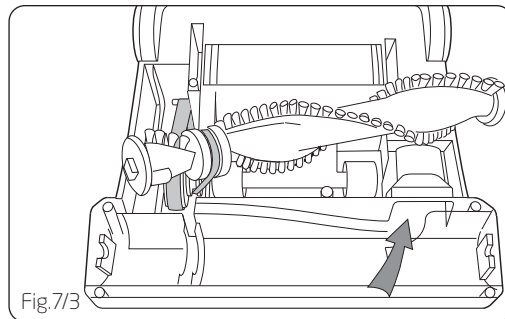


Fig.7/3

Replace belt, brushbar and hood.

If a Blockage Occurs During TurboTool Use

Disconnect TurboTool from hose. Remove bottom plate, belt guard and turbine as described in previous section.

Remove any blockage from turbine channel (A) (Fig.7/4).

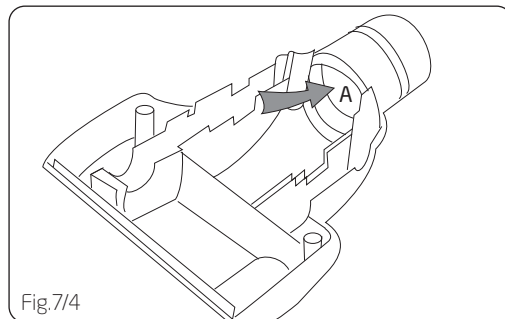


Fig.7/4

Replace belt turbine, brush roll, belt guard and bottom plate.

8. Troubleshooting

! **WARNING:** To reduce the risk of personal injury, unplug vacuum cleaner before servicing.

PROBLEM: Cleaner won't run

Cause: Not properly plugged into wall outlet.

Solution: Plug in firmly.

Cause: No electricity in wall outlet.

Solution: Check fuse or breaker.

Cause: Blown fuse/tripped breaker.

Solution: Reset circuit breaker or replace fuse.

Cause: Motor thermostat tripped.

Solution: Switch off and unplug the vacuum cleaner. Leave for one (1) hour. See page 3.

PROBLEM: Cleaner/tools won't pick up

Cause: Broken or worn belt.

Solution: replace belt.

Cause: Brushbar worn.

Solution: Replace brushbar.

Cause: Dirt container full.

Solution: Empty dirt container.

Cause: Incorrect carpet height setting.

Solution: Move carpet height adjuster to lower setting.

Cause: Blockage in air flow passages.

Solution: Clear blockage - refer to section 7.

PROBLEM: Cleaner hard to push

Cause: Incorrect carpet height setting.

Solution: Move carpet height adjuster to higher setting.

PROBLEM: Smoky/burning smell detected

Cause: Belt broken or stretched.

Solution: Replace brushbar as described in Section 6.

PROBLEM: Powered Hand Tool brushbar won't turn

Cause: Too much pressure being applied to tool.

Solution: Continue using tool applying light pressure.

Cause: Blockage in turbine channel.

Solution: Remove blockage - refer to section 7.

Cause: Broken or worn belt.

Solution: Replace belt.

Cause: Low cleaner suction.

Solution: Check items under "Cleaner/tools won't pick up" above.

9. UK Service & Help

Vax Care 0844 412 8455

Monday-Friday 8.30am to 6.30pm.

Saturday-Sunday 9.00am to 5.00pm.

Any queries or concerns about using the Vax, call the Vax Careline. Please make a note of the serial number and model number of the carpet cleaner before calling. For the nearest Service Agent, please call the Vax Careline.

vax.co.uk

10. Consumables

To purchase spares and accessories, please visit vax.co.uk

Drive belt - Flat (1-9-127276-00)

Drive belt - V (1-9-127604-00)

vax.co.uk

11. Technical Specification

Voltage:	220 - 240V ~50Hz
Wattage:	1500W
Capacity:	2.6l
Filters:	Washable pre-motor filter assembly HEPA post-motor assembly Washable anti-bacterial post motor filter assembly (Some models only)
Cord Length:	8.3m (approx)
Weight:	10.68kg (approx)

Subject to technical change without notice.



This page has been left intentionally blank.



EEC STATEMENT OF COMPLIANCE

Manufacturer/EEC importer: Vax Limited, hereby on our own responsibility, declare that the Mach 5 series and Mach 6 series upright vacuum cleaners are manufactured in compliance with the following Directives:

Safety: 2006/95/EC Low Voltage Directive

EMC: 2004/108/EC Electromagnetic Compatibility Directive



Waste electrical products should not be disposed of with household waste. Please recycle where facilities exist. Check with your Local Authority or retailer for recycling advice.

Vax Ltd., Kingswood Road, Hampton Lovett, Droitwich, Worcestershire, WR9 0QH, UK
email: info@vax.co.uk - website: vax.co.uk