



Vax careline
0844 412 8455

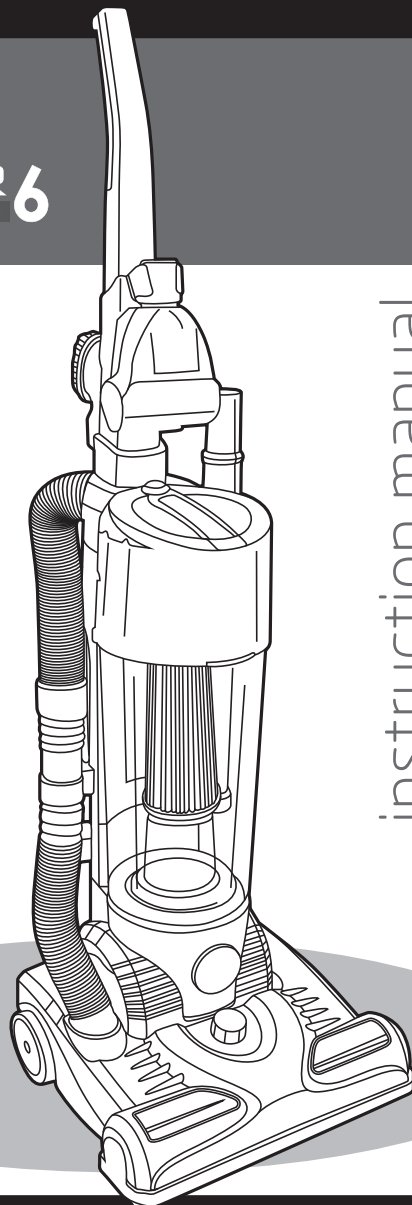
Bagless upright

POWER5 POWER6

Vax model number:
U90-P5 Series
U90-P6 Series

WARNING: This cleaner has a constantly rotating brushbar which, when left in contact with lino, parquet and other hard flooring could potentially cause some damage to the floor surface.

NOTE: Vax recommends that you raise the height of the brushbar when using this cleaner on lino and hard flooring. Vax cannot be held responsible for damage to these surfaces if the customer fails to take notice of this recommendation.



instruction manual

vax.co.uk

Please read carefully before using this cleaner.
Always fully extend the mains cable before use.
Retain for future reference.

1. Diagram

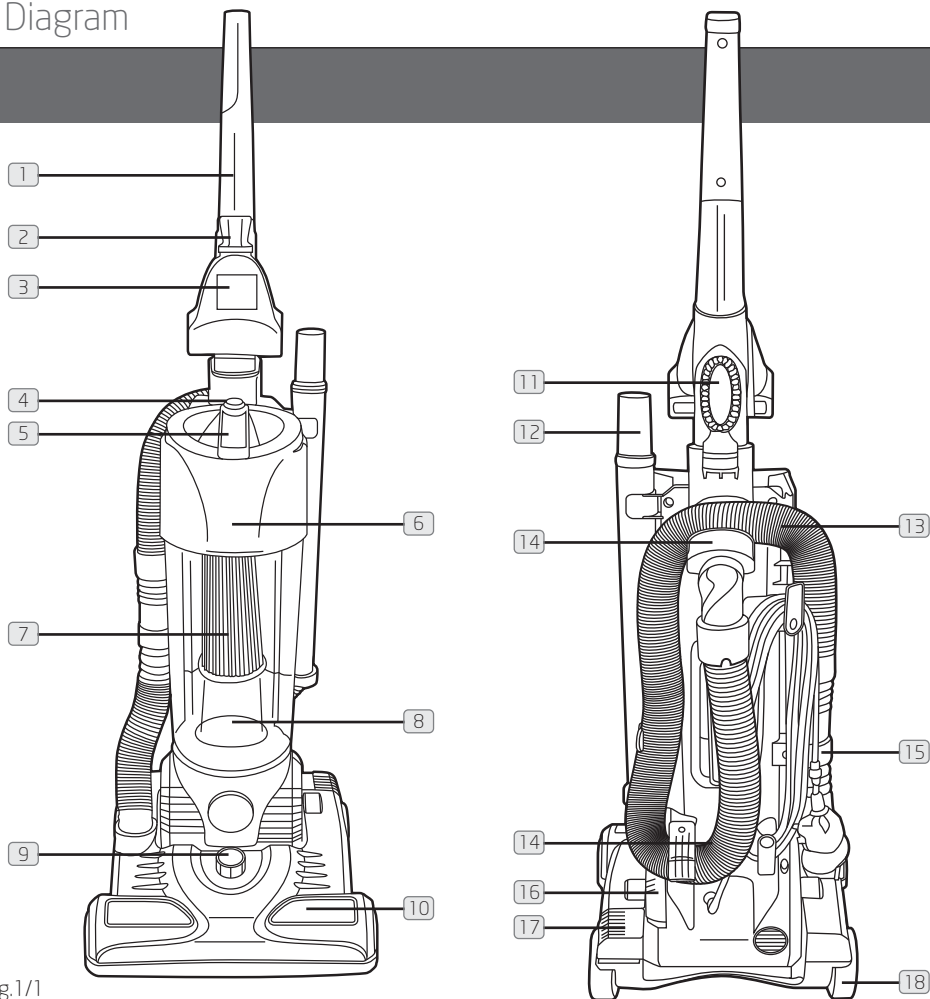


Fig.1/1

PLEASE NOTE: some parts may vary according to model. Please check inside flap of box for more details.

- | | |
|--------------------------------|-----------------------------------|
| ① Handle | ⑩ Brush bar and brushbar windows |
| ② TurboTool holster | ⑪ Dusting brush |
| ③ TurboTool (some models only) | ⑫ Crevice tool and extension wand |
| ④ Dirt container release | ⑬ Hose |
| ⑤ Drt container handle | ⑭ Hose guides |
| ⑥ Dirt container lid | ⑮ Lower hose |
| ⑦ Filter | ⑯ Power on/off |
| ⑧ Dirt container | ⑰ Handle release |
| ⑨ Carpet height adjuster | ⑱ Wheels |



WARNING: This cleaner has a constantly rotating brushbar which, when left in contact with lino, parquet and other hard flooring could potentially cause some damage to the floor surface.

NOTE: Vax recommends that you raise the height of the brushbar when using this cleaner on lino and hard flooring. Vax cannot be held responsible for damage to these surfaces if the customer fails to take notice of this recommendation.

2. Safety Information

For Household Use Only

When using the vacuum cleaner, basic safety precautions should always be observed, including the following:

1. Only use the vacuum cleaner indoors on dry surfaces.
2. Turn off the vacuum cleaner controls before connecting or disconnecting from the mains supply.
3. Always unplug the vacuum cleaner before connecting or disconnecting the vacuum hose and accessories.
4. Children should be supervised to ensure that they do not play with the appliance.
5. This appliance is not intended for use by persons (including children) with reduced physical, sensory or mental capabilities, or lack of experience and knowledge, unless they have been given supervision or instruction concerning use of the appliance by person responsible for their safety.
6. Use only as described in this manual. Use only the manufacturer's recommended attachments.
7. Do not use the vacuum cleaner if it has been dropped, damaged, left outdoors or dropped into water. Do not use the vacuum cleaner with a damaged cord or plug. If the supply cord or plug is damaged, return the vacuum cleaner to a Vax Authorised Service Agent or suitably qualified person for examination, repair or adjustment.
8. Do not pull or carry by the cord. Do not use the cord as a handle, close a door on the cord or pull the cord around sharp edges or corners. Do not run the vacuum cleaner over the cord. Keep the cord away from heated surfaces.
9. Do not handle the plug or vacuum cleaner with wet hands. Do not use outdoors or on wet surfaces.
10. Do not put any objects into openings. Do not use with any openings blocked and do not restrict air flow. Keep all openings free of dust, lint, hair or anything that may reduce airflow.
11. Keep hair, loose clothing, fingers and all parts of the body away from openings and moving parts.
12. Do not pick up hot coals, cigarette butts, matches or any hot, smoking or burning objects.
13. Do not pick up flammable or combustible materials (lighter fluid, petrol, kerosene, etc) or use in the presence of explosive liquids or vapours.
14. Do not vacuum up harmful or toxic material (chlorine bleach, ammonia, drain cleaner, etc).

15. Do not vacuum up hard or sharp objects such as glass, nails, screws, coins, etc.
16. Do not use without the filters in place.
17. Take extra care when vacuuming on stairs.
18. Keep vacuuming area well lit.
19. Store the vacuum cleaner indoors in a cool, dry area.
20. Turn off the on/off switch before unplugging the vacuum cleaner.
21. Use only CE-approved 13 amp extension cords. Non-approved extension cords may overheat. Care should be taken to arrange the cord so that the cord cannot be pulled or tripped over.

! **WARNING:** Always switch off and unplug the vacuum cleaner from the electrical outlet before assembling, opening or emptying the dirt container, or before connecting/disconnecting the attachments.

! **CAUTION:** The vacuum cleaner is a very powerful unit. Before plugging the cord into the electrical outlet, make sure the switch is in the 'off' position. Hold the vacuum cleaner firmly when starting and in use.

! **IMPORTANT:** If the inlet or hose is blocked, switch off the vacuum cleaner and remove the blockage(s) before re-starting the vacuum cleaner.

! **IMPORTANT:** Cleaning filters improves vacuum performance.

This vacuum cleaner is intended for household use only and not for commercial or industrial use.

Motor Thermostat

IMPORTANT: The motor is equipped with a thermal cut-out. If for any reason, the vacuum cleaner should overheat, the thermostat will automatically turn the unit off. Should this occur, unplug the vacuum cleaner from the electrical outlet and turn off the switch. Remove the dirt container and empty. Clean the filters. Allow the cleaner to cool for approximately one (1) hour. To re-start, plug into an electrical outlet and switch back on.

Soft-start

IMPORTANT: All models are fitted with a soft-start system. When the unit is switched on, the motor will take a few seconds to build up to full power. The purpose of this function is to offer better protection to the vacuum motor.

3. How to Assemble

! **IMPORTANT:** Always unplug the vacuum cleaner from the electrical outlet before assembling or removing the accessories.

Tool required: Phillips screwdriver

1. Slide the back panel onto the base (Fig.3/1).

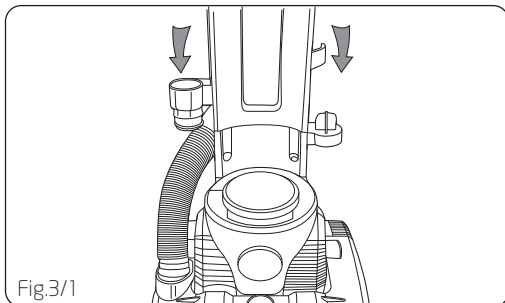


Fig.3/1

2. To secure, insert the two (2) screws into the front of the back panel (Fig.3/2).

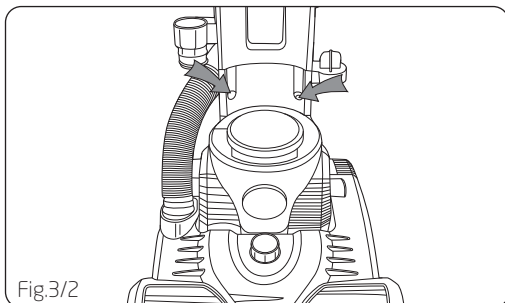


Fig.3/2

3. Slide the end of the lower hose onto the side connector (Fig.3/3).

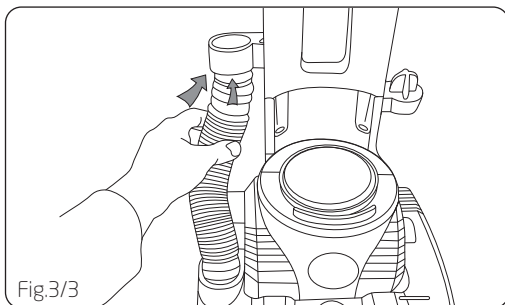


Fig.3/3

4. Place the upper handle onto the upright back panel (Fig.3/4).

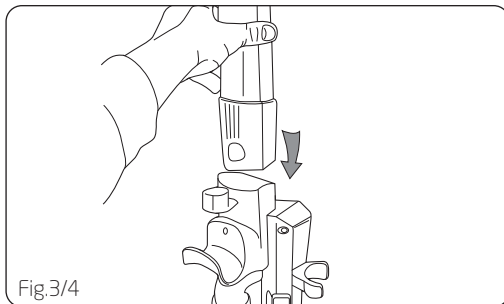


Fig.3/4

5. Insert locking part into slot (Fig.3/5).

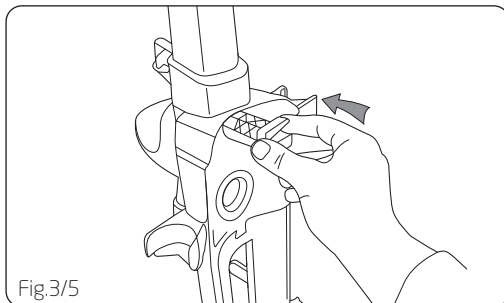


Fig.3/5

6. Insert the screw into the back of the handle and screw it into the locking part. Tighten until secure (Fig.3/6).

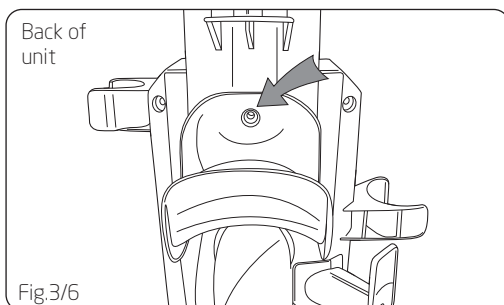


Fig.3/6

7. Clip the TurboTool™ onto the front of the TurboTool™ caddy (Fig.3/7).

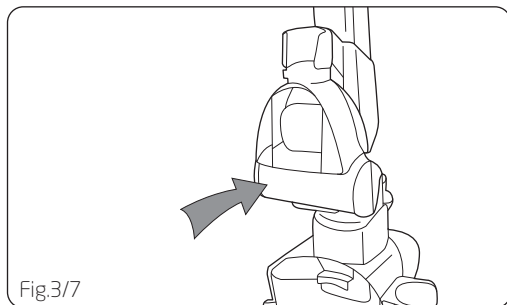


Fig.3/7

8. Wrap the hose around the back of the hose caddy. Push the hose tube down into the right side of the cleaner to secure (Fig.3/8).

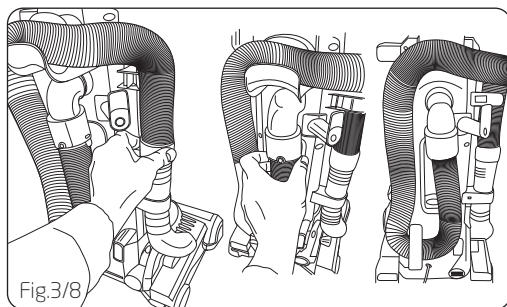


Fig.3/8

9. Attach the tools. Slide the dusting brush onto the post in the upper tool caddy with the bristles facing out (Fig.3/9). Slide the extension tube/crevice tool into the round opening on the front of the right side of the tool caddy.

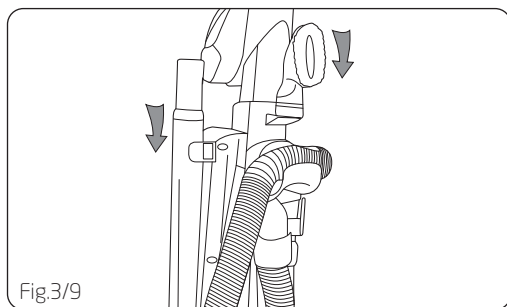


Fig.3/9

10. Ensure the filter is secure by pressing it firmly into its holding in the bottom of the dirt container. Align the slots on the lid with the tabs on the dirt container. Push the lid down and twist clockwise. Use the arrow marked on the lid to ensure that the dirt container and lid are aligned

properly (Fig.3/10).

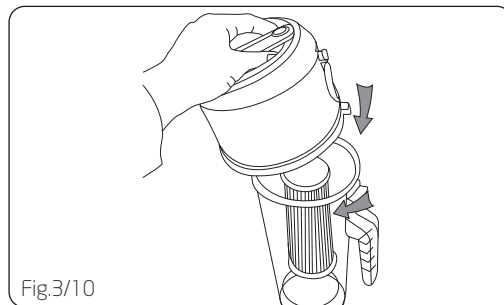


Fig.3/10

11. Insert the tab on the bottom of the dirt container into the rectangular slot on the cleaner (Fig.3/11).

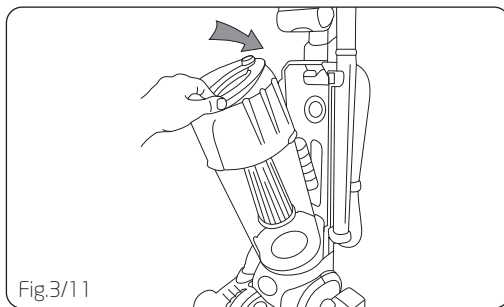


Fig.3/11

12. To secure the dirt container, push the top in place. There will be an audible click when it is secure.

4. How to Operate

Cord Release

Release the power cord by turning the quick cord release. The cord should be inserted into the cord guide while vacuuming to keep it out of the way.

Adjustment for Different Floor Types

Rotate the height adjust lever to match the surface being cleaned (Fig.4/1).

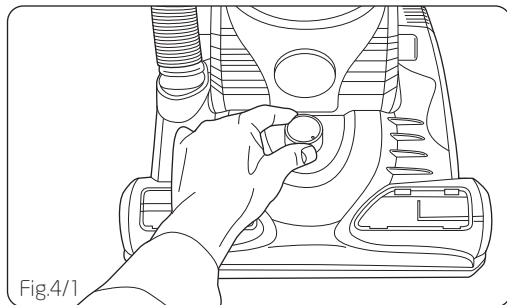


Fig.4/1

NOTE: For easiest adjustment, place cleaner in full upright position.

! WARNING: This cleaner has a constantly rotating brushbar which, when left in contact with lino, parquet and other hard flooring could potentially cause some damage to the floor surface.

NOTE: Vax recommends that you raise the height of the brushbar when using this cleaner on lino and hard flooring. Vax cannot be held responsible for damage to these surfaces if the customer fails to take notice of this recommendation.

! CAUTION: The brushbar continues to rotate at all times while the vacuum cleaner is on. Keep hair, loose clothing, fingers and all parts of the body away from the brush area while the vacuum cleaner is on. The vacuum cleaner must be in the upright position to lift the rotating brushbar off the carpet when cleaning above the floor. Vax recommend that the brushbar height adjust is turned to its highest position when using the tools.

On/off Pedal

Plug the cord into the electrical outlet. Turn the vacuum cleaner on by depressing the foot switch located on the back left side of the vacuum cleaner (Fig.4/2A). The vacuum cleaner can be turned off by pressing the on/off switch again.

Handle Release Pedal

To release the handle, push the handle release pedal located on the lower left side of the cleaner (Fig.4/2B).

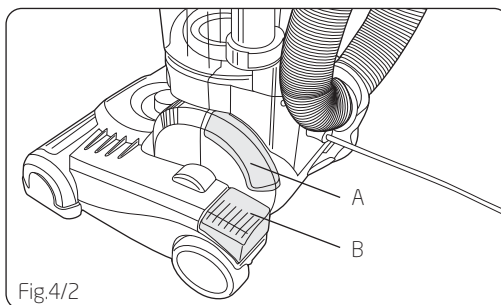


Fig.4/2

Carpet Cleaning

Move the handle to the desired position for storage (A), and normal operation (B). De-press the handle release pedal again to clean under furniture (C) (Fig.4/3).

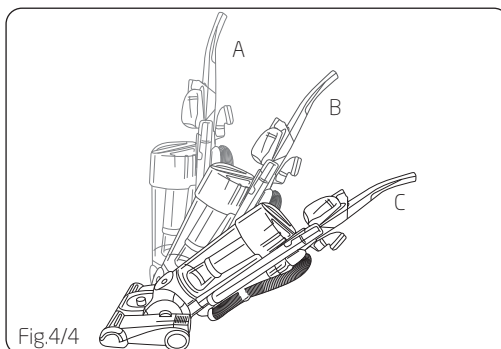


Fig.4/4

! IMPORTANT: This vacuum cleaner is not intended for use on hard floors. The powerful rotating brushbar is designed to groom carpet pile and could cause damage to some hard floor types.

5. Accessories

! **IMPORTANT:** The vacuum cleaner must be in the upright position to raise the brushbar. The brushbar height adjust must also be at its highest position.

1. Remove the hose from the tool caddy (Fig.5/1).

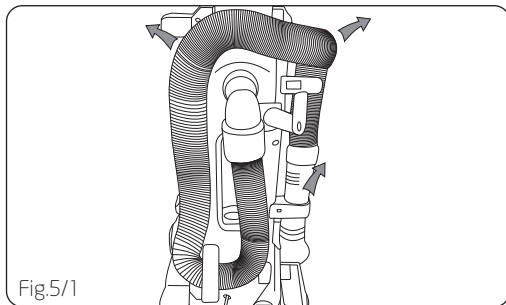


Fig.5/1

2. Choose any of the handy on-board accessories or use the hose alone. Simply push the attachment firmly onto the end of the extension tube or hose handle. To remove the accessory, twist and pull apart gently (Fig.5/2).

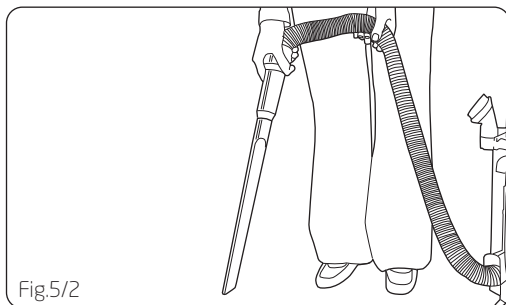


Fig.5/2

Extension Tube

If additional length is needed, use the extension tube and/or crevice tool. Pull the crevice tool out of the extension tube or hose handle. To remove the tool, twist and pull apart gently.

NOTE: The crevice tool is stored inside the extension tube (Fig.5/3).

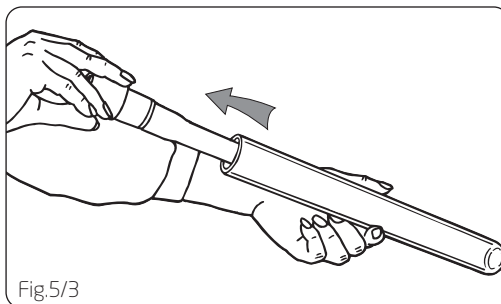


Fig.5/3

Crevice tool: for crevices, corners and cracks etc.

Dusting brush: for delicate surfaces and skirting board.

TurboTool: (Some models only) for excellent pick up of pet hair and for stair and upholstery cleaning. Attach to hose tube or extension tube as per all other accessories. For best results, use backward strokes on the surface you are cleaning.

Carry Handle

Use the carry handle on the back of the vacuum cleaner to

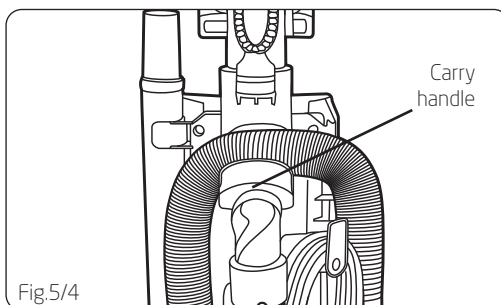


Fig.5/4

move the cleaner from room to room (Fig.5/4).

NOTE: Check that the dirt container is securely in place before lifting the vacuum cleaner.

6. Dirt Container & Filter: Removal and Replacement

⚠ WARNING: To reduce the risk of injury from moving parts, unplug before servicing.

NOTE: Unplug the vacuum cleaner before changing filter.

NOTE: For best performance, replace filter annually.
Cleaning the Central Filter

1. Press the latch above the dirt container and remove the dirt container from the vacuum cleaner (Fig.6/1).

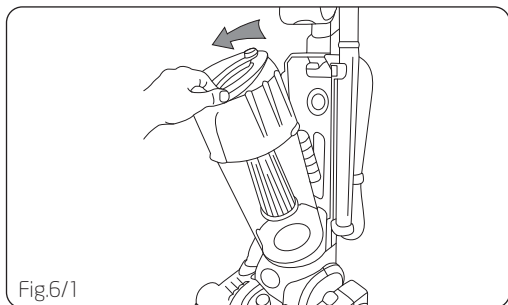


Fig.6/1

2. Remove the dirt container lid by turning it anti-clockwise (Fig.6/2).

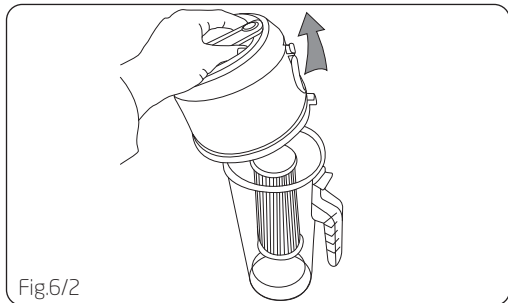


Fig.6/2

3. Hold the dirt container and grasp the top of the filter. Twist and pull the filter up and out (Fig.6/3).

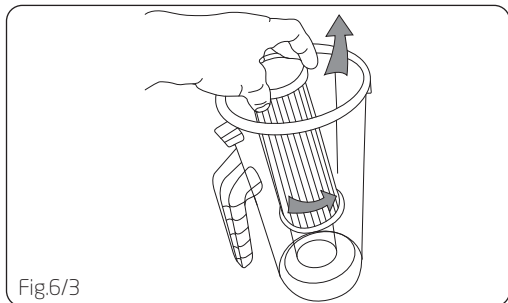


Fig.6/3

4. Empty the dirt container completely (Fig.6/4).

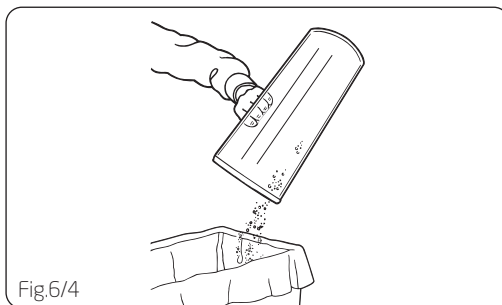


Fig.6/4

5. Each time the dirt container is emptied, the filter should be cleaned. Tap the filter against the side of a rubbish bin until the dust stops falling from the filter. Return the filter to the dirt container. Push the filter into place to prevent dirt leakage (Fig.6/5).



Fig.6/5

6. Align slots on the lid with the tabs on the dirt container. Push the lid down and twist clockwise.

NOTE: There is a guideline on the back of the dust container lid. Align the tabs on the dirt container and turn clockwise until secure.

7. Return the dirt container to the vacuum cleaner. Set the aligning tab on the bottom of the dirt container into the rectangular slot on the cleaner (inset). Push to click into place (Fig.6/6).

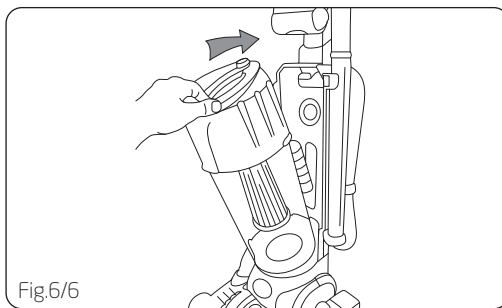


Fig.6/6

7. Belt and Brush: Removal and Replacement

1. Unplug the vacuum cleaner from the mains supply. Press the handle release button and turn the vacuum cleaner over so that the base lies flat and face up. Use a screwdriver to remove the four retaining screws shown above. Remove the nozzle guard (Fig.7/1).

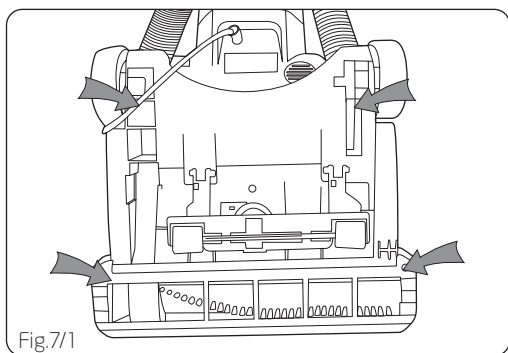


Fig.7/1

Lift and remove the brushbar, then slide the belt off the motor shaft and dispose of it. Place a new belt on the motor shaft and then slip the brushbar through the belt (Fig.7/2).

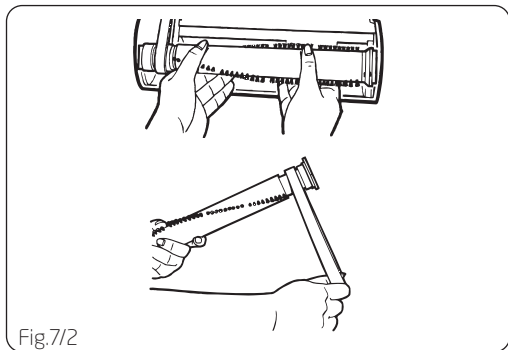


Fig.7/2

The belt should sit on the section of the brushbar without bristles. Re-fit the brushbar. Ensure the end caps are in the correct position. Rotate the brushbar to check the belt is not twisted. Replace the nozzle guard.

8. Clearing Blockages

! WARNING: To reduce the risk of injury from moving parts, unplug before servicing.

1. Check to see if dirt container is full. Empty and clean the dirt container filter.
2. Unwrap the hose from the caddy. Remove any obstruction if visible in the end of the hose (Fig.8/1).

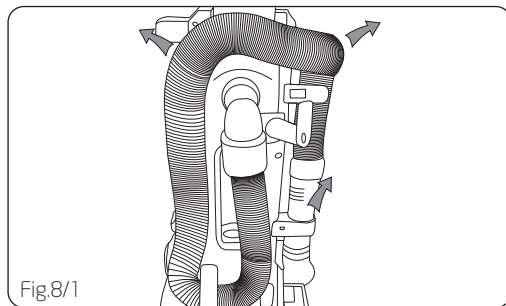


Fig.8/1

2. Undo the hose from the back panel dirt tube. Remove any obstruction (Fig.8/2).

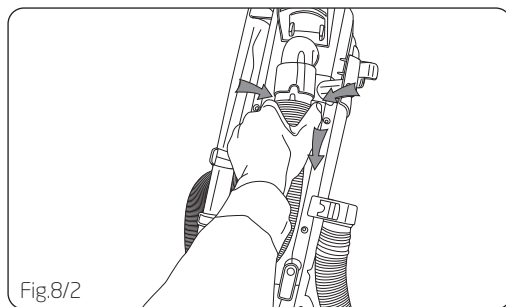


Fig.8/2

3. To aid blockage removal, the hose can be removed by pulling gently down and away from the body of the machine.

4. Push a broom handle or other similar implement through the hose to clear any obstructions (Fig.8/3).

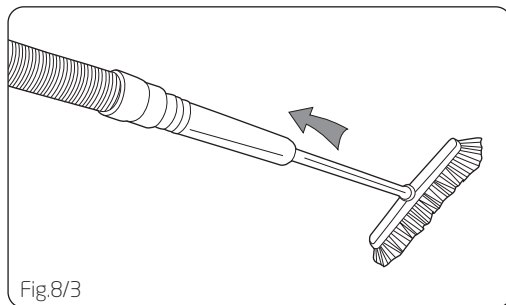


Fig.8/3

5. Remove the nozzle guard by removing the four (4) screws. Look for any obstructions and remove brushbar if necessary (Fig.8/5).

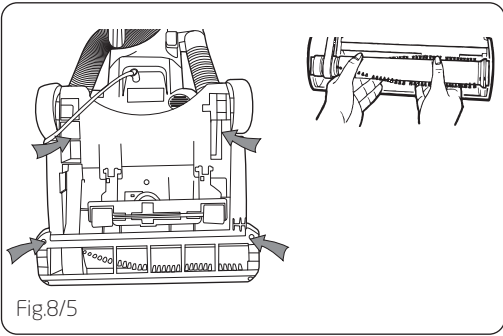


Fig.8/5

Clearing Blockages from the TurboTool (Some models only)

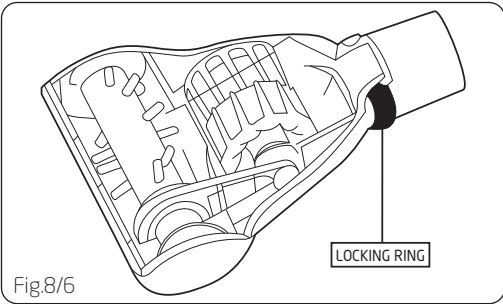


Fig.8/6

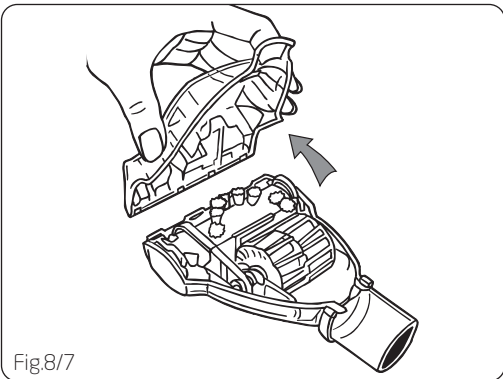


Fig.8/7

1. Turn the TurboTool over and slide off the locking ring (Fig.8/6).

2. Pivot lowering housing and remove clog (Fig.8/7).

3. To re-assemble, be sure that the tabs are engaged. Pivot the lower housing closed. Slip the locking ring into the groove at the neck of the TurboTool™ to complete reassembly (Fig.8/8).

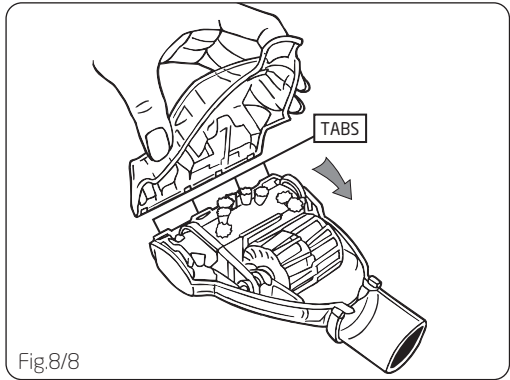


Fig.8/8

9. Troubleshooting

! **WARNING:** To reduce the risk of personal injury, unplug the vacuum cleaner before performing maintenance or troubleshooting checks.

PROBLEM: Vacuum cleaner won't run

Cause: Not properly plugged into electrical outlet.

Solution: Plug in securely.

Cause: No electricity in the electrical outlet.

Solution: Check fuse or breaker.

Cause: On/off switch not turned on.

Solution: Push on/off switch to 'on'.

Cause: Motor thermostat has tripped.

Solution: Switch off and unplug the vacuum cleaner. Leave for one (1) hour before switching the vacuum cleaner back on.

Cause: Blown fuse/tripped breaker.

Solution: Reset circuit breaker or replace fuse.

PROBLEM: Cleaner won't pick up/loss of suction.

Cause: Full or clogged dirt container.

Solution: Clean dirt container.

Cause: Wrong pile height setting.

Solution: Adjust brushbar height.

Cause: Clogged nozzle.

Solution: Remove obstruction.

Cause: Clogged dirt inlet.

Solution: Remove power head cover and remove obstruction.

Cause: Clogged hose.

Solution: Remove obstruction.

Cause: Broken belt.

Solution: Replace belt.

Cause: Hose not fully inserted.

Solution: Push hose in securely.

Cause: Dirty filters.

Solution: Clean/change filters.

PROBLEM: Accessories won't pick up.

Cause: Accessories are not attached correctly.

Solution: Refer to page 7 for fitting information.

PROBLEM: Cleaner picks up moveable rugs or pushes too hard.

Cause: Wrong brushbar height setting.

Solution: Adjust brushbar height setting.

PROBLEM: Brushbar does not turn.

Cause: Broken belt.

Solution: Replace belt.

Cause: Belt not installed correctly.

Solution: Check belt changing and brushbar cleaning.

PROBLEM: Air flow restricted with attachment use.

Cause: Attachment use restricts air flow.

Solution: Check attachment.

Cause: New carpet debris clogging air path.

Solution: Remove obstruction.

vax.co.uk

10. UK Service & Help

Vax Care 0844 412 8455

Monday-Friday 8.30am to 6.30pm

Saturday-Sunday 9.00am to 5.00pm

Any queries or concerns about using the Vax, call the Vax Careline. Please make a note of the serial number and model number of the carpet cleaner before calling. For the nearest Service Agent, please call the Vax Careline.

vax.co.uk

11. Consumables

To purchase spares and accessories, please visit **vax.co.uk**

HEPA filter kit (1-9-127361-00)

12. Technical Specification

Voltage:	230-240V ~50Hz
Wattage:	2000w/2200w
Capacity:	4.5 L (approx) HEPA HEPA anti-bacterial (Some models only)
Cord length:	10 m (approx)
Weight:	8 kg (approx)

Subject to technical change without notice.



This page has been left intentionally blank

This page has been left intentionally blank

This page has been left intentionally blank

vax[®]

EEC STATEMENT OF COMPLIANCE

Manufacturer/EEC importer: Vax Limited, hereby on our own responsibility, declare that the Power 5 & Power 6 series bagless upright vacuum cleaners are manufactured in compliance with the following Directives:

Safety: 2006/95/EC Low Voltage Directive

EMC: 2004/108/EC Electromagnetic Compatibility Directive



Waste electrical products should not be disposed of with household waste. Please recycle where facilities exist. Check with your Local Authority or retailer for recycling advice.

Vax Ltd., Kingswood Road, Hampton Lovett, Droitwich, Worcestershire, WR9 0QH, UK
email: info@vax.co.uk - website: vax.co.uk