



Vax careline
0870 6061248

Bagless cylinder

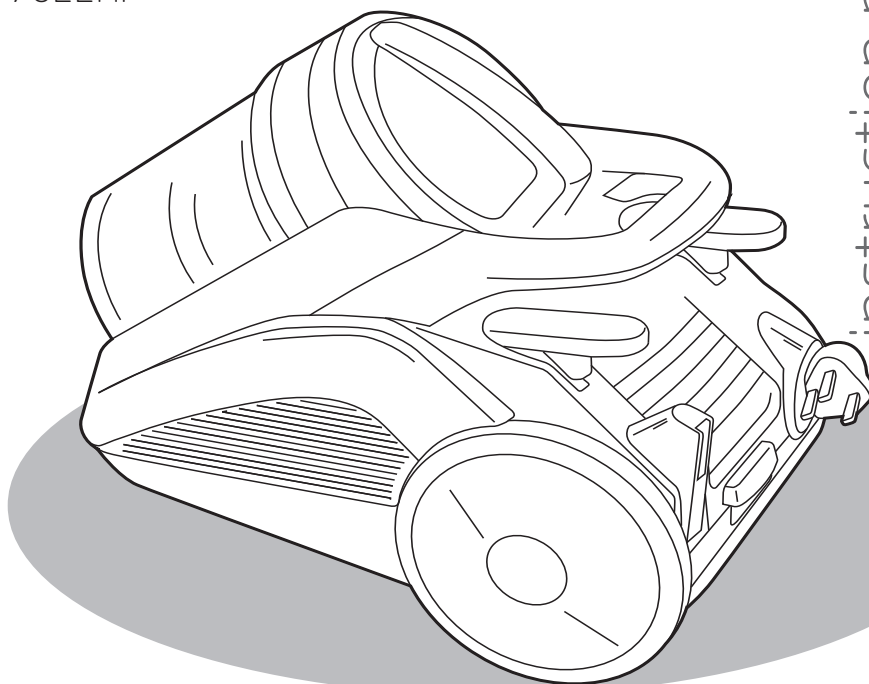
MACH²

Vax model number:

VZL-7022

VZL-7022P

VZL-7022HF



instruction manual

www.vax.co.uk

Please read carefully before using this cleaner.
Always fully extend the mains cable before use.
Retain for future reference.

1. Diagram

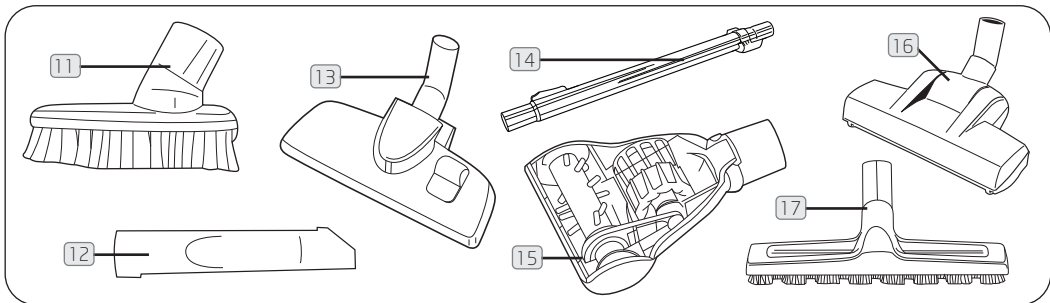
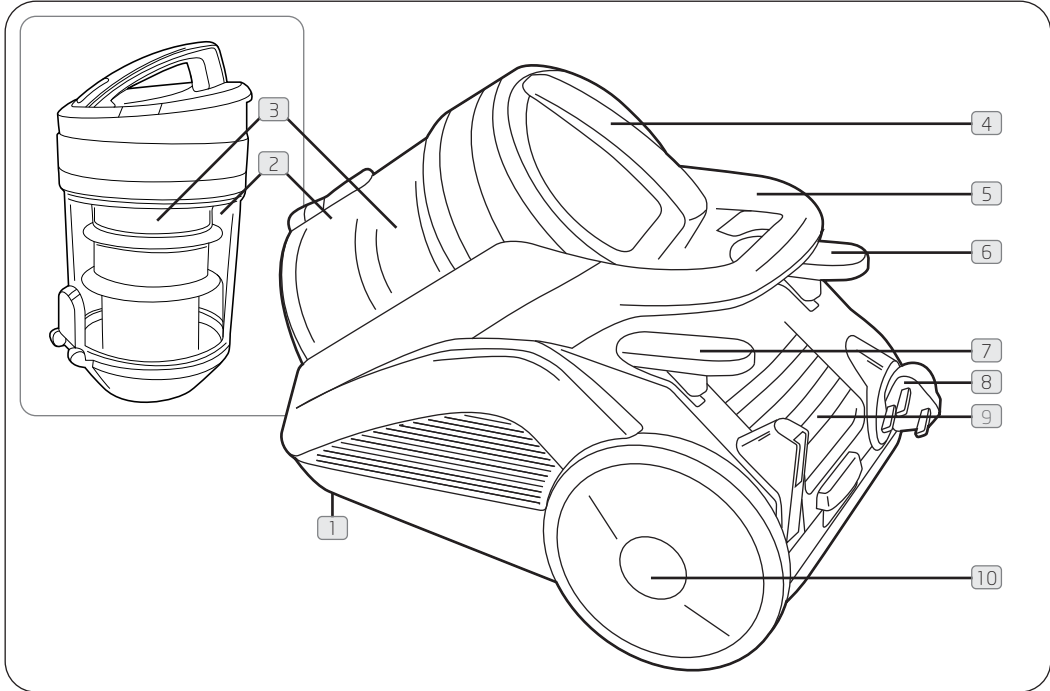
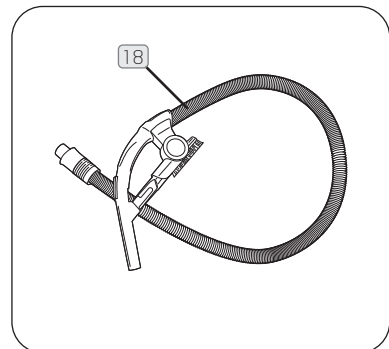


Fig.1/1

- 1 Hose inlet
- 2 Dirt container
- 3 Cyclone separator
- 4 Dirt container handle
- 5 Carry handle
- 6 Auto cord rewind
- 7 On/off button
- 8 Plug
- 9 Post-motor filter cover
- 10 Wheel

- Accessories
- 11 2-in-1 tool
 - 12 Crevice tool
 - 13 Combination floor head
 - 14 Telescopic tube
 - 15 TurboTool (VZL-7022P only)
 - 16 TurboBrush (VZL-7022P only)
 - 17 Hard Floor Tool (VZL-7022HF only)
 - 18 Hose





2. Safety Information


For Household Use Only


When using the vacuum cleaner, basic safety precautions should always be observed, including the following:

1. Only use the vacuum cleaner indoors on dry surfaces.
2. Turn off the vacuum cleaner controls before connecting or disconnecting from the mains supply.
3. Always unplug the vacuum cleaner before connecting or disconnecting the vacuum hose and accessories.
4. Children should be supervised to ensure that they do not play with the appliance.
5. This appliance is not intended for use by persons (including children) with reduced physical, sensory or mental capabilities, or lack of experience and knowledge, unless they have been given supervision or instruction concerning use of the appliance by a person responsible for their safety.
6. Use only as described in this manual. Use only the manufacturer's recommended attachments.
7. Do not use the vacuum cleaner if it has been dropped, damaged, left outdoors or dropped into water. Do not use the vacuum cleaner with a damaged cord or plug. If the supply cord or plug is damaged, return the vacuum cleaner to a Vax Authorised Service Agent or suitably qualified person for examination, repair or adjustment.
8. Do not pull or carry by the cord. Do not use the cord as a handle, close a door on the cord or pull the cord around sharp edges or corners. Do not run the vacuum cleaner over the cord. Keep the cord away from heated surfaces.
9. Do not handle the plug or vacuum cleaner with wet hands. Do not use outdoors or on wet surfaces.
10. Do not put any objects into openings. Do not use with any openings blocked and do not restrict air flow. Keep all openings free of dust, lint, hair or anything that may reduce airflow.
11. Keep hair, loose clothing, fingers and all parts of the body away from openings and moving parts.
12. Do not pick up hot coals, cigarette butts, matches or any hot, smoking or burning objects.
13. Do not pick up flammable or combustible materials (lighter fluid, petrol, kerosene, etc) or use in the presence of explosive liquids or vapours.
14. Do not vacuum up harmful or toxic material (chlorine bleach, ammonia, drain cleaner, etc).
15. Do not vacuum up hard or sharp objects such as glass, nails, screws, coins, etc.
16. Do not use without the filters in place.
17. Take extra care when vacuuming on stairs.
18. Keep vacuuming area well lit.
19. Store the vacuum cleaner indoors in a cool, dry area.
20. Turn off the on/off switch before unplugging the vacuum cleaner.
21. Use only CE-approved 13 amp extension cords. Non-approved extension cords may overheat. Care should be taken to arrange the cord so that the cord cannot be pulled or tripped over.

 **WARNING:** Always switch off and unplug the vacuum cleaner from the electrical outlet before assembling, opening or emptying the dirt container, or before connecting/disconnecting the attachments.


 **CAUTION:** The vacuum cleaner is a very powerful unit. Before plugging the cord into the electrical outlet, make sure the switch is in the 'off' position. Hold the vacuum cleaner firmly when starting and in use.

 **IMPORTANT:** If the inlet, hose or telescopic tube is blocked, switch off the vacuum cleaner and remove the blockage(s) before re-starting the vacuum cleaner.

 **IMPORTANT:** Washing filters improves vacuum performance. Make sure all the filters are completely dry before inserting back into the vacuum cleaner.

This vacuum cleaner is intended for household use only and not for commercial or industrial use.

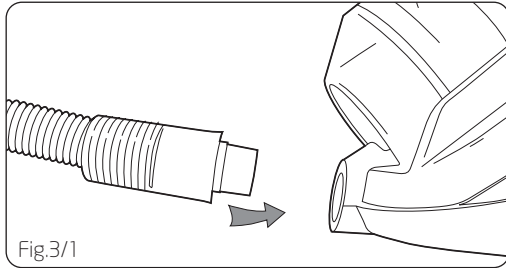
Motor Thermostat

 **IMPORTANT:** The motor is equipped with a thermal cut-out. If for any reason, the vacuum cleaner should over-heat, the thermostat will automatically turn the unit off. Should this occur, unplug the vacuum cleaner from the electrical outlet and turn off the switch. Remove the dirt container and empty. Clean the filters. Allow the cleaner to cool for approximately one (1) hour. To re-start, plug into an electrical outlet and switch back on.

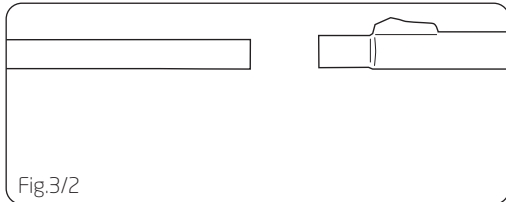
3. How to Assemble

IMPORTANT: Always unplug the vacuum cleaner from the electrical outlet before assembling or removing the accessories.

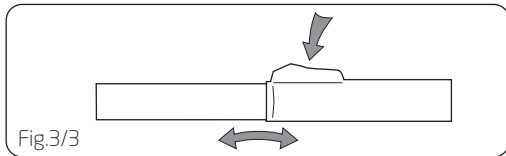
1. Insert the flexible hose (Fig.3/1) into the inlet on the main body of the vacuum cleaner. Making sure the projected parts on the hose are aligned. Turn the hose to the right until it clicks into lock position.



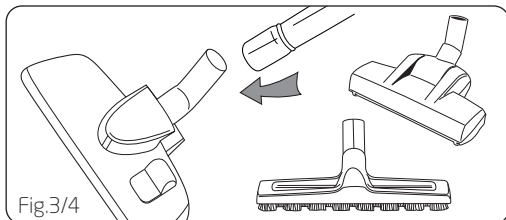
2. Push the telescopic extension tube on to the end of the handle (Fig.3/2).



3. The telescopic tube can be lengthened or shortened by pushing the button in and sliding the tube apart or together as required (Fig.3/3).



4. Fit the combination floor head, TurboBrush (Model: VZL-7022P only) or hard floor tool (Model: VZL-7022HF only) by pushing onto the extension tube (Fig.3/4).



4. How to Operate

Cord Release

Fully unwind the power cord. A yellow mark on the power cord indicates the recommended cord length. Do not exceed the cord length beyond the red mark.

On/off Button

1. Insert the plug into the electrical outlet.
2. Press the on/off switch located on the top of the vacuum cleaner, to switch on the vacuum cleaner and press the button again to turn the vacuum cleaner off.

Carpet Cleaning

For carpet and rug cleaning, press the rocker switch on the combination floor head to raise the brushes.

Model: VZL-7022P only: Attach the TurboBrush to the end of the extension tube. For large carpeted areas.

Hard Floor Cleaning

For hard floor cleaning, press the rocker switch on the combination floor head to lower the brushes.

(Model: VZL-7022HF only) For hard floor cleaning use the hard floor tool for vacuuming parquet and laminate coverings.

Cord Rewind

To rewind the power cord, press the cord rewind button, located on the top of the vacuum cleaner, and guide the power cord with one hand. This will prevent the cord from whipping which could cause damage or injury.

Carry Handle

Use the carry handle located at the rear end of the vacuum cleaner to move from room to room.

Hose Storage

For convenience there is a parking slot located at the rear of the vacuum cleaner where the floor tool and hose can be parked for carrying and storage.

5. Accessories

1. The accessories can be attached directly to the handle by removing the telescopic tubes and pushing in the desired accessory.
2. The accessories can also be attached to the telescopic extension tube for extra reach. Remove the combination floor head and push on the desired accessory.

2-in1 tool:

Dusting brush: for delicate surfaces

Upholstery tool: for carpet, upholstery and stairs etc.

Crevice tool: for crevices, corners and cracks, etc.

TurboBush (Model: VZL-7022P only): for pet hair, stair and larger carpeted areas (NOTE: not recommended for hard floors)

TurboTool (Model: VZL-7022P only): for pet hair, stair and upholstery cleaning (NOTE: Do not use the TurboTool on suede and leather surfaces)

Hard Floor Tool (Model: VZL-7022HF only): for hard floor, parquet and laminate coverings.

6. Dirt Container & Filters: Removal & Replacement

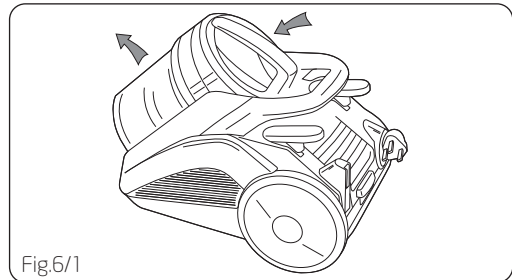
! IMPORTANT: Vax recommends cleaning the filters everytime the dirt container is emptied for consistent cleaning performance of your machine.

! IMPORTANT: Always unplug the vacuum cleaner from the electrical outlet before removing the dirt container.

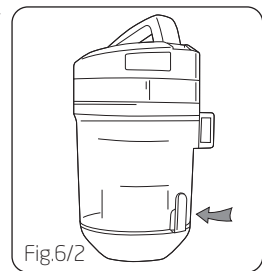
! IMPORTANT: Do NOT use the vacuum cleaner without ALL of the filters in place.

Emptying the dirt container

1. Press down the handle located on the dirt container, when the handle is pressed down to the bottom, the dirt container can be lifted to remove.

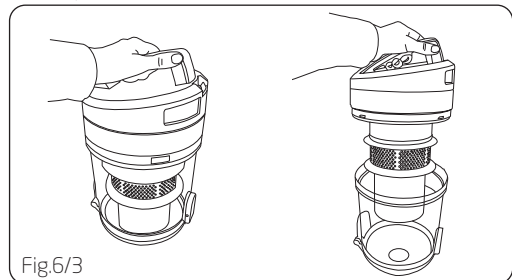


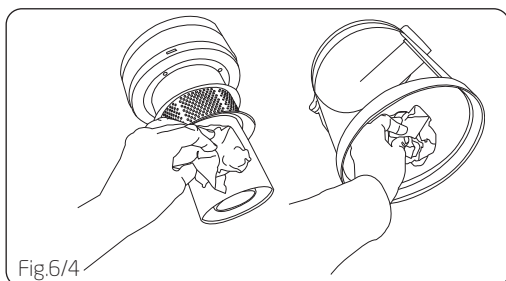
2. Hold the dirt container over a bin and press the quick release button as directed to empty the container. When all the dirt has fallen, close the dirt container flap, a click will be heard when closed. Then replace the dirt container.



Cleaning the cyclone separator

1. Twist and pull the dirt container bin off the cyclonic separator.





2. The separator should be cleaned with a soft brush and wiped with a damp cloth. The dirt container bin may be wiped to clean.
3. Leave the separator to dry completely before replacing.

IMPORTANT: The cyclonic separator should not be submerged in water.

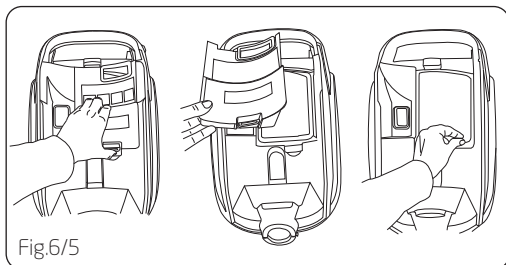
NOTE: Do NOT use any detergents or boiling water to wash the filters. Vax recommends cleaning the filter every time you empty the dust container.

4. Replace the dirt container as directed.

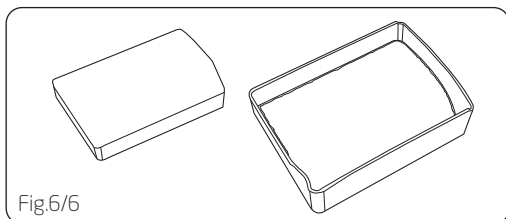
Cleaning the pre-motor filter

NOTE: This is located underneath the dirt container bin.

1. Release the pre-motor filter cover by lifting up the tab. Lift off the filter cover to gain access to the filter. Remove the filter by pulling the tab towards you.



2. Separate the foam filter from the fabric cassette. Each filter can be tapped against the side of a dust bin to remove the excess dirt and dust.



3. The pre-motor filters may be rinsed in warm water (max 40 deg.). Allow to air dry for 24 hours before replacing.

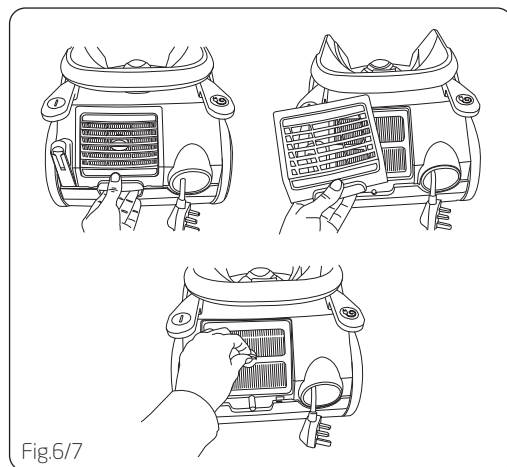
NOTE: Do not use any detergents or boiling water to wash the filter. Vax recommends this filter should be checked and cleaned periodically.

4. Once completely dry, return the pre-motor filters and cassette to the vacuum cleaner. Replace the pre-motor filter cover before restarting the vacuum cleaner.

Cleaning the Post-motor filter

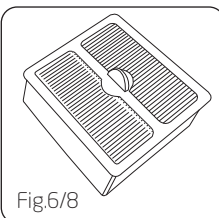
NOTE: This is located on the rear of the vacuum cleaner.

1. Release the post-motor filter cover and remove the cover as shown. Remove the filter by pulling the tab towards you.



2. The filter can be tapped against the side of a dust bin to remove the excess dirt and dust.

3. The post-motor filter may be rinsed in warm water (max 40 deg.). Allow to air dry for 24 hours before replacing.



NOTE: Do not use any detergents or boiling water to wash the filters. Vax recommends washing the filter. Vax recommends washing the filter every 9-12 months.

4. Once completely dry, return the post-motor filter to the vacuum cleaner. Replace the post-motor filter cover before restarting the vacuum cleaner.

7. Cleaning Blockages

⚠ WARNING: To reduce the risk of electric shock, the power cord must be disconnected before performing maintenance/troubleshooting checks.

1. Turn the vacuum cleaner off and unplug from the electrical outlet.
2. The flexible hose can be disconnected from the vacuum cleaner by turning the hose to the left and pulling away from the machine. Remove any blockages found then reconnect the hose securely.

Clearing debris from the TurboTool

(Model: VZL-7022P only)

Clearing debris from the TurboTool

Switch the vacuum cleaner off and disconnect the power plug from the electrical outlet.

Press the latches on both sides of the tool and remove the bottom plate (Fig.7/1).

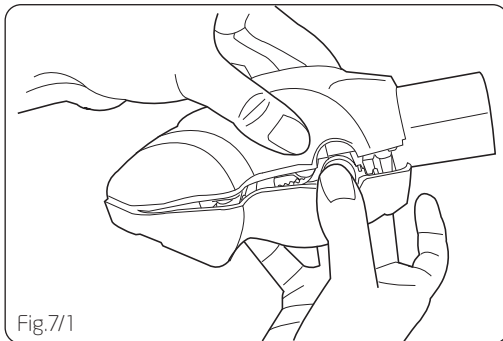


Fig.7/1

Remove any blockage (Fig.7/2).

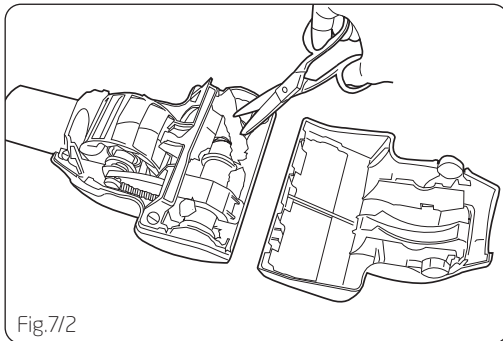


Fig.7/2

To re-assemble, and replace the bottom plate, insert the four tabs on edge of bottom plate into slots on front of tool. Pivot bottom plate down and snap closed (Fig.7/3).

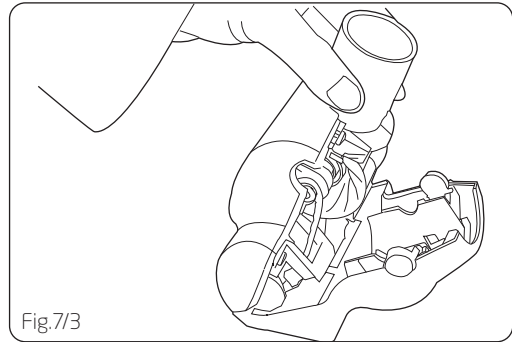


Fig.7/3

Removing debris from the TurboBrush (VZL-7022P only)

The brushbar will stop rotating if it is blocked during operation by vacuuming up foreign objects, or if strands of carpet are wrapped around it.

Switch the vacuum cleaner off and disconnect the power plug from the electrical outlet.

Lay the TurboBrush floor head on a flat surface and turn over to expose the brushbar. Using a pair of scissors, cut through any threads or hairs caught by the brushbar that have wrapped around the guides (Fig.7/4).

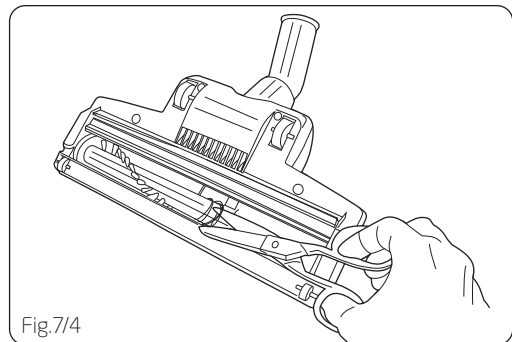


Fig.7/4

8. Storage

! **IMPORTANT:** Always unplug the vacuum cleaner from the electrical outlet and rewind the power cord as directed before storing.

NOTE: Always store the vacuum cleaner base down.

9. Troubleshooting

! **WARNING:** To reduce the risk of personal injury, unplug the vacuum cleaner before performing maintenance/troubleshooting checks.

PROBLEM: Vacuum cleaner won't run

Cause: Not properly plugged into electrical outlet.

Solution: Plug in securely.

Cause: No electricity in the electrical outlet.

Solution: Check fuse or breaker.

Cause: On/off switch not turned on.

Solution: Push on/off switch to 'on'.

Cause: Motor thermostat has tripped.

Solution: Switch off and unplug the vacuum cleaner. Leave for one (1) hour before switching the vacuum cleaner back on.

Cause: Blown fuse/tripped breaker.

Solution: Reset circuit breaker or replace fuse.

PROBLEM: Cleaner won't pick up/loss of suction.

Cause: Dirt container not installed properly.

Solution: Review dirt container replacement.

Cause: Dirt container full or blocked.

Solution: Empty dirt container.

Cause: Clogged filters.

Solution: Remove, clean and replace filters.

PROBLEM: Accessories won't pick up.

Cause: Accessories are not attached correctly.

Solution: Refer to section 5.

Cause: TurboBrush / TurboTool is clogged.

Solution: Refer to section 7.

PROBLEM: Dust escaping from the vacuum cleaner.

Cause: Dirt container full.

Solution: Empty dirt container.

Cause: Dirt container not installed correctly.

Solution: Review dirt container replacement.

Cause: Filter not installed completely.

Solution: Remove, clean and replace filters.

10. UK Service & Help

Vax Care 0870 6061248

Monday-Friday 8.00am to 6.00pm
Saturday-Sunday 9.00am to 5.00pm

An answerphone will be available out of these hours. Any queries or concerns about using your Vax, call the Vax Careline. Calls are charged at the UK national rate.

Please make a note of the model number and serial number of your Vax before calling. There are over 400 approved Vax Service Agents in the UK. For the nearest Vax Service Agent, please call the Vax Careline or visit www.vax.co.uk

11. Technical Specification

Voltage:	220 - 240
Wattage:	1400W
Capacity:	2.4 litres approx
Filters:	Cyclone separator – wipe clean Pre-motor filter – washable Post-motor filter – washable
Cord Length:	8m (approx)
Weight:	8.55Kg (approx)

Subject to technical change without notice



This page has been left intentionally blank.

This page has been left intentionally blank.



EEC STATEMENT OF COMPLIANCE

Manufacturer/EEC importer: Vax Limited, hereby on our own responsibility, declare that the VZL-7022, VZL-7022P and VZL-7022HF MACH2 cylinder range is manufactured in compliance with the following Directives:

Safety: 2006/95/EC Low Voltage Directive

EMC: 2004/108/EC Electromagnetic Compatibility Directive



Waste electrical products should not be disposed of with household waste. Please recycle where facilities exist. Check with your Local Authority or retailer for recycling advice.

Vax Ltd., Kingswood Road, Hampton Lovett, Droitwich, Worcestershire, WR9 0QH, UK
email: info@vax.co.uk - website: www.vax.co.uk