

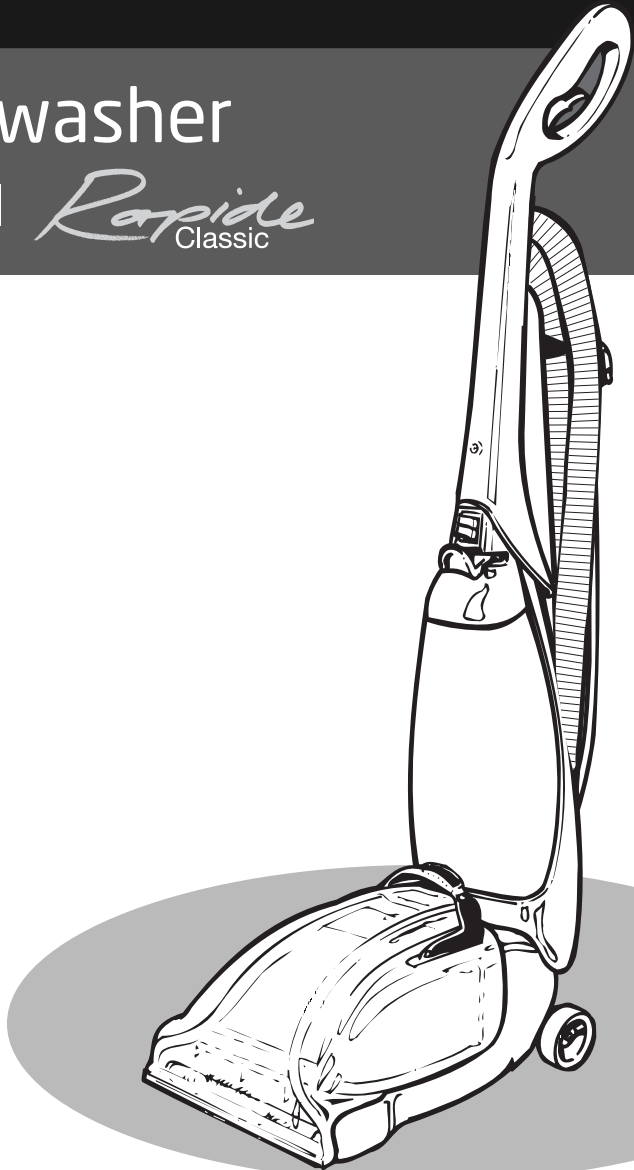


Vax careline  
0870 6061248

# Carpet washer

**MA+CH** *Rapide*  
Classic

Vax model number:  
V-026CC



instruction manual

[www.vax.co.uk](http://www.vax.co.uk)

Please read carefully before using this cleaner.  
Always fully extend the mains cable before use.  
Retain for future reference.

# 1. Diagram

V-026CC

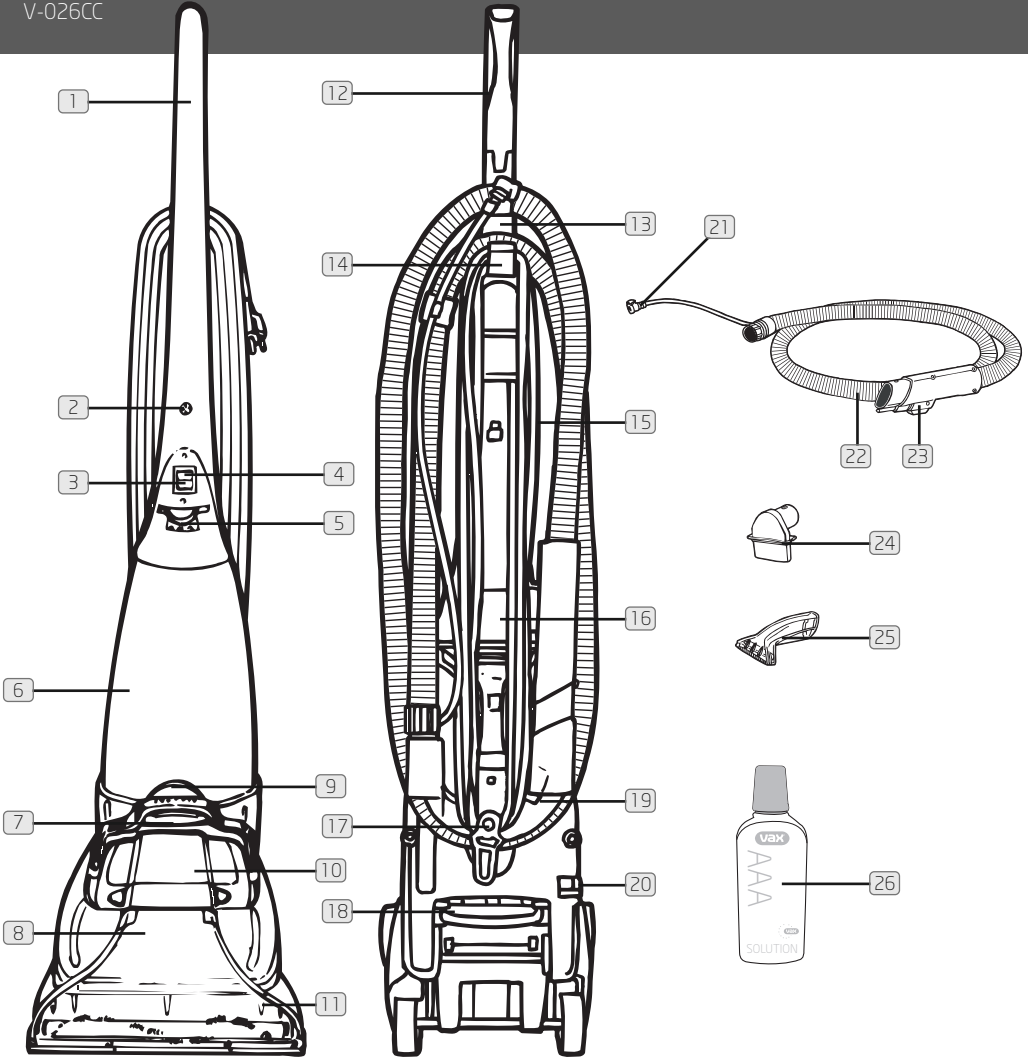


Fig.1/1

- |                                  |                             |                                  |
|----------------------------------|-----------------------------|----------------------------------|
| 1 Handle                         | 10 Dirty water tank lid     | 19 Tool caddy/storage            |
| 2 Handle screw                   | 11 Rotating brush bar       | 20 Water supply socket           |
| 3 Vacuum on/off switch           | 12 Solution release trigger | 21 Solution tube plug            |
| 4 Brush bar on/off switch        | 13 Cord clip                | 22 Upholstery/stair hose         |
| 5 Clean solution reservoir latch | 14 Cord hook                | 23 Solution spray trigger        |
| 6 Clean solution reservoir       | 15 Power cord               | 24 Upholstery/stair hose adaptor |
| 7 Dirty water tank handle        | 16 Carrying handle          | 25 Upholstery/stair wash tool    |
| 8 Dirty water tank               | 17 Quick cord release       | 26 AAA Solution 250ml            |
| 9 Dirty water tank latch         | 18 Handle release pedal     |                                  |

## 2. Safety Information

### FOR HOUSEHOLD USE ONLY.

When using the vacuum cleaner, basic safety precautions should always be observed, including the following:

1. Do not leave the carpet washer unattended when plugged in. Unplug it from socket when not in use.
2. To prevent electric shock do not use outdoors.
3. Not to be used as a toy. Children should be supervised to ensure that they do not play with the appliance.
4. This appliance is not intended for use by persons (including children) with reduced physical, sensory or mental capabilities, or lack of experience and knowledge, unless they have been given supervision or instruction concerning the use of the appliance by a person responsible for their safety.
5. Use only as described in this manual.
6. Do not use with a damaged cord or plug. If the supply cord and/or plug is damaged, they must be replaced by the manufacturer, a Vax Service Agent or similarly qualified persons in order to avoid hazard.
7. Do not pull or carry by the cord, use the cord as a handle, allow the cord to come into contact with hot or sharp surfaces or close a door on the cord.
8. Do not unplug by pulling on the cord.
9. Do not handle the plug or carpet washer with wet hands.
10. Do not put any objects into openings or operate with openings blocked, keep them free of anything that may reduce airflow.
11. Keep hair, loose clothing, fingers and all parts of the body away from openings and moving parts.
12. Do not use the carpet washer on any glowing, burning or smoking particles.
13. Do not use without the solution tank and dirty water tank in place.
14. Do not use the vacuum without the dust bag in place.
15. Turn off all controls before unplugging.
16. Do not use to pick up flammable or combustible liquids such as petrol, or use in areas where they may be present.
17. Keep the unit on the floor.
18. Do not use an extension cord.
19. Do not attempt to remove blockages with sharp objects as they may cause damage.
20. Store indoors put away after use to prevent tripping accidents.

21. Using improper voltage may result in damage to the motor and possible injury to the user. The correct voltage is listed on the rating label.
22. A hazard may occur if the carpet washer runs over the power supply cord.
23. To prevent dirty water from running into motor, do not hold the appliance upside-down or lay on its side. Use appliance in normal vacuuming position.
24. Use extra care when cleaning on stairs.
25. Do not carry appliance while motor is running.

**NOTE: Carpets should be dry vacuumed thoroughly before washing.**

**NOTE: The unit must be unplugged from the mains socket outlet after use, and before cleaning or maintaining the unit.**



**IMPORTANT: This unit is not intended for commercial use.**

**PLEASE KEEP THESE INSTRUCTIONS FOR FURTHER USE.**

### Motor Thermostat

**IMPORTANT:** The motor is equipped with a thermal cut-out. If for any reason, the vacuum cleaner should over-heat, the thermostat will automatically turn the unit off. Should this occur, unplug the vacuum cleaner from the electrical outlet and turn off the switch. Remove the dirt container and empty. Clean the filters. Allow the cleaner to cool for approximately one (1) hour. To re-start, plug into an electrical outlet and switch back on.

### 3. Assembly

#### Attach upper handle

Stand the base in the upright position. Assemble the mid section onto the base, taking care not to trap internal mains wire. (Fig.3/1).

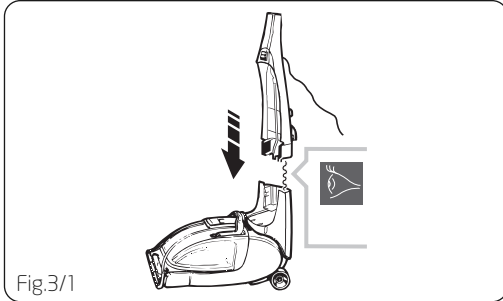


Fig.3/1

Insert the two nuts into the recesses located on the left and right sides of the base. While holding the nuts in place, insert the two medium length screws through the front of the mid section and tighten. (Fig.3/2).

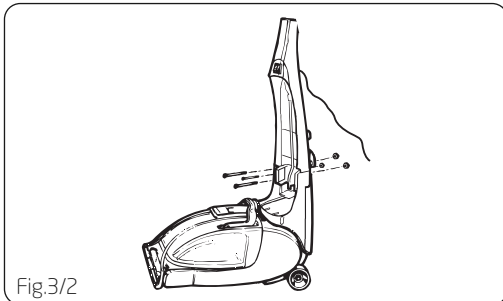


Fig.3/2

Slide the upper handle down onto the unit. Insert the nut into the recess in the back of the upper handle. While holding the nut in place, insert the long screw through the front of the upper handle and tighten.

Run the mains wire above the upper cord hook and secure with the cord clip (Fig.3/3).

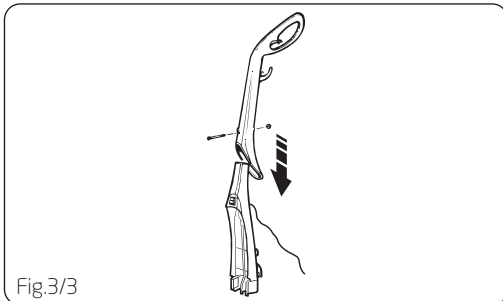


Fig.3/3

Align tabs on tool caddy with slots on midsection and snap into place (Fig.3/4).

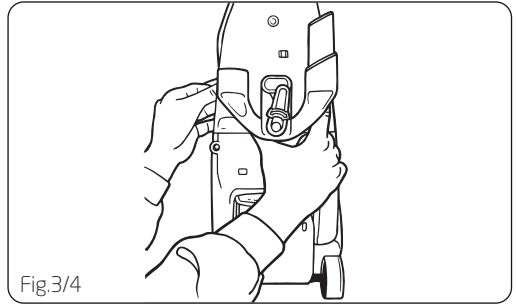


Fig.3/4

Place nut into recess on tool caddy and hold into place. Press handle release with your other hand to tilt the midsection backwards (Fig.3/5).

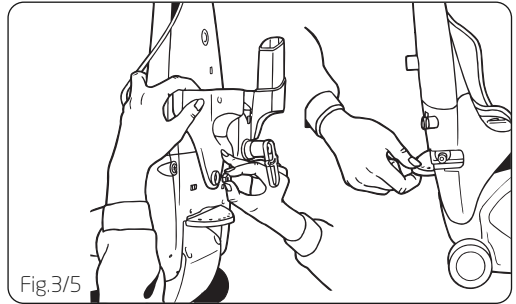


Fig.3/5

Place screw through centre of lower midsection and tighten (Fig.3/6).

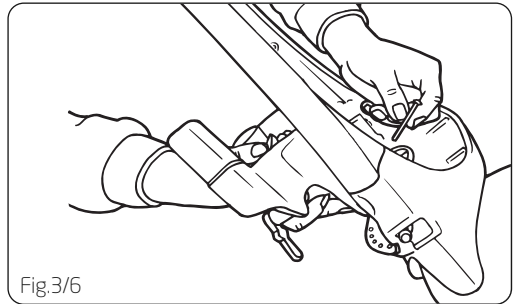


Fig.3/6

#### Tool Caddy Use

Wrap the cord around the upper and lower cord clips.

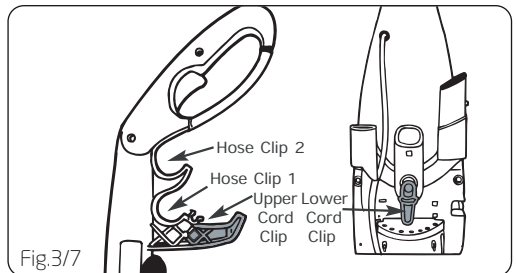


Fig.3/7

Detach the Upholstery hose adaptor from the end of the hose and slide it onto the adaptor post (Fig.3/8).

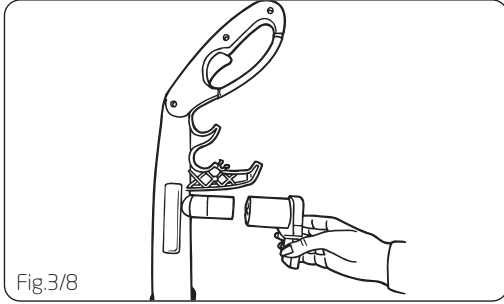


Fig.3/8

Slide the Upholstery attachment into the middle slot of the lower tool caddy (Fig.3/9).

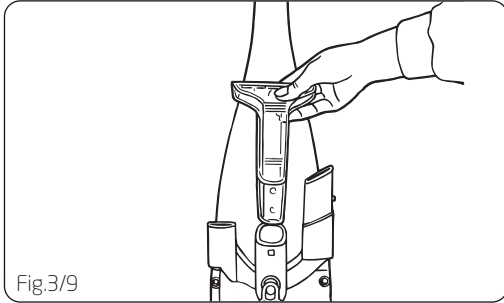


Fig.3/9

Slide the adaptor end of the hose into the left slot on the lower tool caddy. Be sure to line up the pushpin with the slot and press down until secure in place (Fig.3/10).

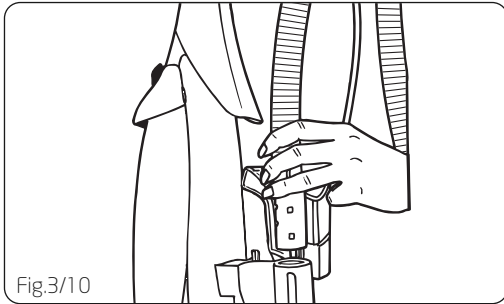


Fig.3/10

Run the hose to the upper caddy and press into hose clip #1. Continue wrapping the hose clockwise around the tool caddies, pressing the hose into the groove on the bottom of the lower tool caddy (Fig.3/11).

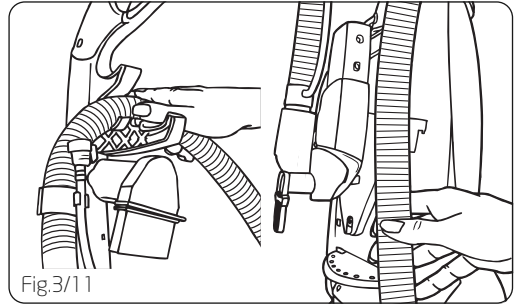


Fig.3/11

Run the hose back to the upper caddy and press into hose clip #2 (Fig.3/12).

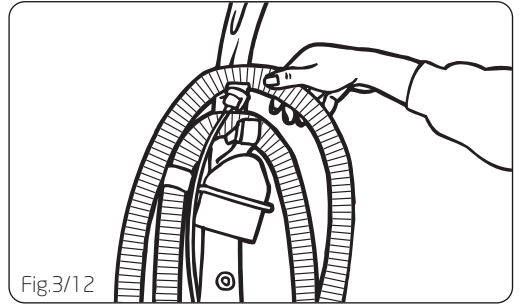


Fig.3/12

Lock the attachment end of the hose into place by pressing down onto the post located on the right side of the lower tool caddy, until secure in place (Fig.3/13).

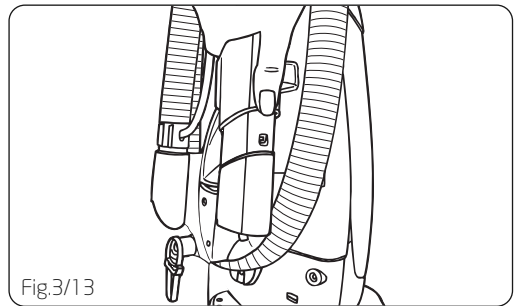


Fig.3/13

## 4. Operation

**!** **IMPORTANT:** Important: Turn off when emptying and filling the reservoir.

### Filling the Solution tank

Grasp the solution reservoir under the handle and press the handle release lever upward (Fig.4/1).

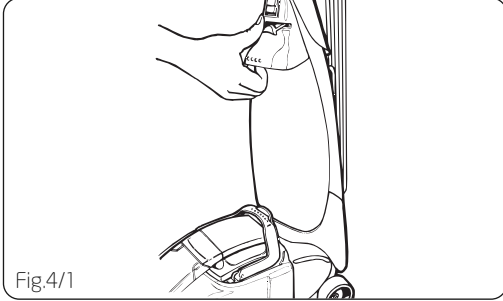


Fig.4/1

Tilt the solution reservoir away from the cleaner and remove (Fig.4/2).

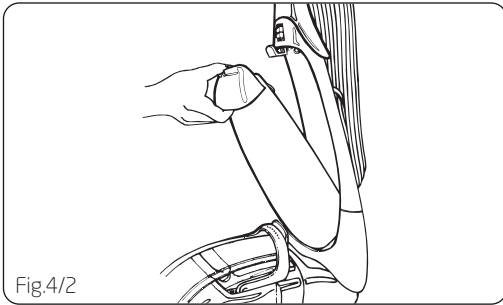


Fig.4/2

Unscrew the filler/measure cap from the rear of the solution reservoir. Fill the bottle cap or measure cap 3 times with VAX AAA carpet cleaning solution and pour into the reservoir (Fig.4/3).

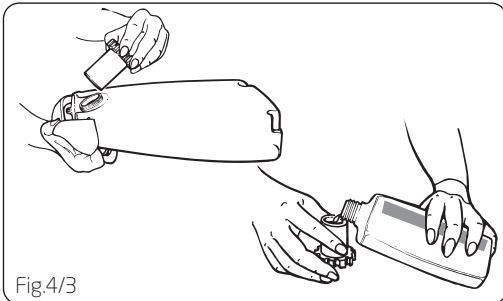


Fig.4/3

### Maximum water temperature 40°C

Fill the remainder of the clean water tank with warm (max 40°C) tap water. Replace the cap (Fig.4/4).

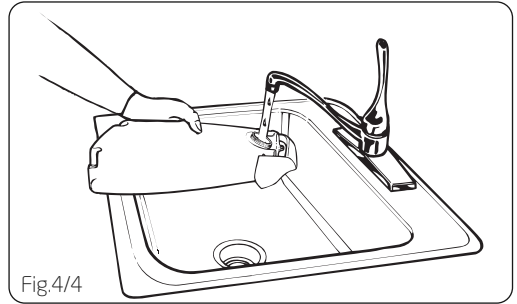


Fig.4/4

**NOTE:** use only VAX AAA cleaning solution, using other cleaning solutions may cause excessive foaming. This may cause the float to shut off the cleaner prematurely. Using other cleaners will void your warranty.

Place the bottom of the solution reservoir into the cleaner and push into place. There will be an audible click when the reservoir is in the correct position (Fig.4/5).

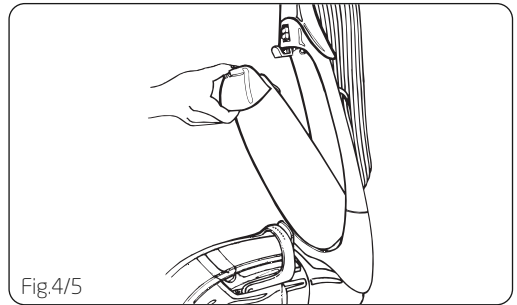


Fig.4/5

### Operating the Cleaner

**!** **IMPORTANT:** Important: Never leave the cleaner unattended with the power on. Vacuum carpets thoroughly with dry vacuum cleaner before washing.

Plug the cord into a mains electricity socket. Turn the power and brush bar switches on. The switches are located on the front of the cleaner, above the solution reservoir. The power switch controls the vacuum motor and pump, the brush switch only turns the rotating brush bar on and off when the power switch is on (Fig.4/6).

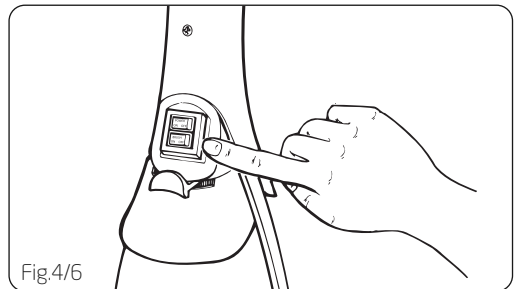


Fig.4/6

Press on the handle release pedal and pull the cleaner back into a reclined position (Fig.4/7).

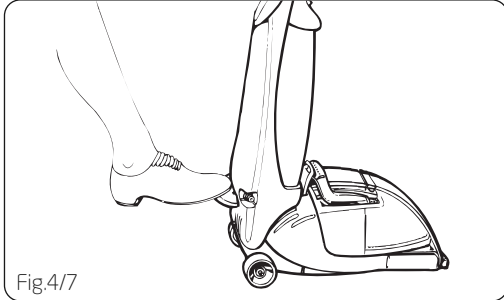


Fig.4/7

While pressing the solution release trigger, pull the cleaner in a backward motion. Release the trigger and push forward in the same path to remove the dirty water and solution from the carpet. Repeat if necessary (Fig.4/8).

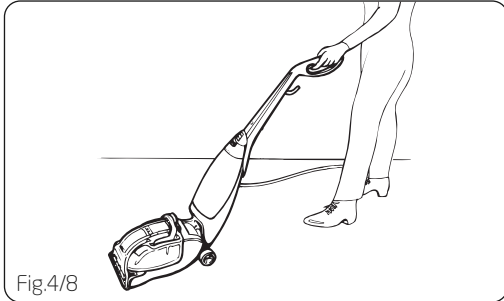


Fig.4/8

When the dirty water reaches the max fill line on the dirty water tank, empty the tank.

### Hose Attachments

**NOTE: DO NOT OVERSATURATE THE UPHOLSTERY**

For best results use steady, moderate, forward and backward motion.

Make sure upholstery is dry before use.

**NOTE:** If the hose attachment door is not replaced, there will be no suction through the nozzle and the unit will not operate properly.

Put cleaner in its upright position. Remove tools from storage caddy. Assemble as shown. Connect the upholstery attachment to the trigger adapter (Fig.4/9).

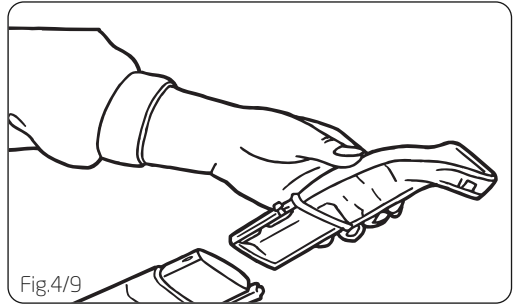


Fig.4/9

Remove the tank door from the top of the dirty water tank (Fig.4/10).

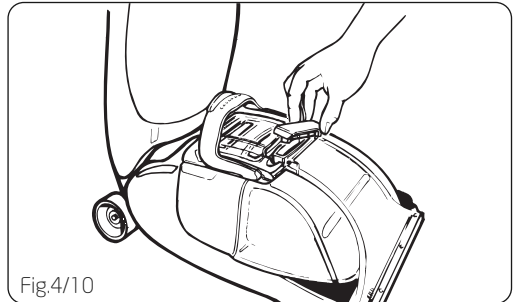


Fig.4/10

Insert the hose adapter into the top of the dirty water tank (Fig.4/11).

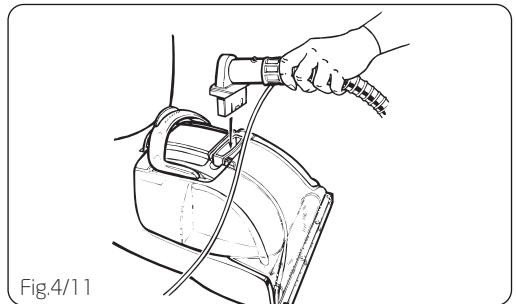


Fig.4/11

Connect the hose water supply plug into the socket on the lower left side of the cleaner (Fig.4/12).

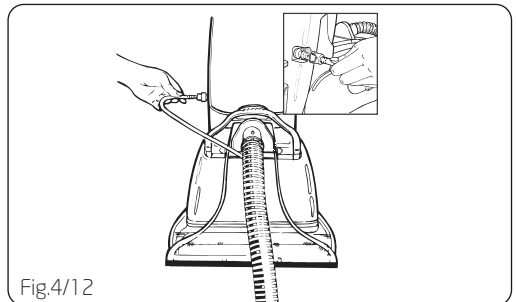


Fig.4/12

### Using the Hose Attachment

Turn power switch on and brush switch off. While depressing the solution spray trigger, pull attachment in backward motion (Fig.4/13).

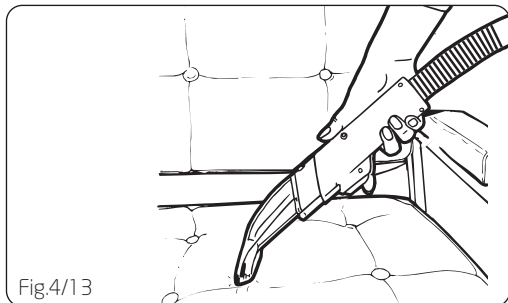


Fig.4/13

Release trigger and push attachment forward in same path to remove dirty water and solution from upholstery. (For heavily soiled areas, repeat if necessary).

### Storing Tools

Place hose and upholstery attachments into their storing locations. Store for next use (Fig.4/14).

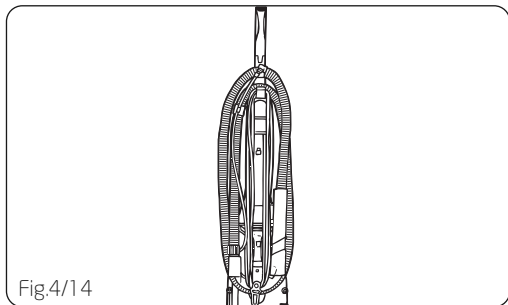


Fig.4/14

### Carry Handle

Grasp the handle on the back of the unit to move unit from room to room (Fig.4/15).

**NOTE:** Do not transport the carpet washer with either the solution reservoir or dirty water tank full.

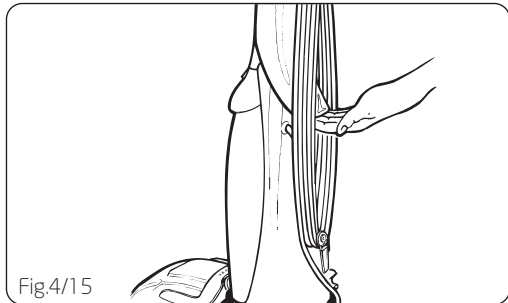


Fig.4/15

### Emptying the dirty water tank

**NOTE:** The float in your Rapide is the blue piece in the dirty water tank lid, it will shut off the suction when the dirty water tank is full. For best results, use a smooth steady motion, keeping the nozzle flat against the carpet. Tipping the cleaner and breaking the seal of the nozzle against the carpet will cause the float to rise cutting off suction. Once the float is activated, empty the dirty water tank. If the tank does not appear full, turn off the power switch and wait for the float to settle. For best results use only Vax AAA cleaning solution.

You will hear a distinct change in the noise coming from your cleaner when the tank is full and needs emptying.

**! IMPORTANT:** Unplug your cleaner before emptying the dirty water tank

Grasp the top of the dirty water tank handle and press the release latch (Fig.4/16).

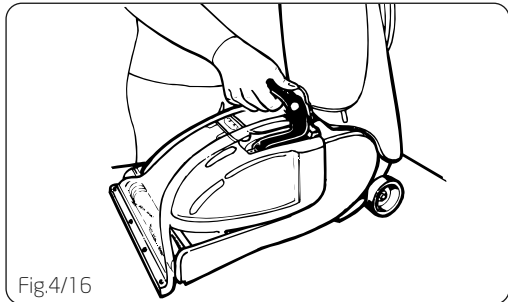


Fig.4/16

Grasp the handle and pull up out of the base, take care to ensure that no dirty water leaks from the front (Fig.4/17).

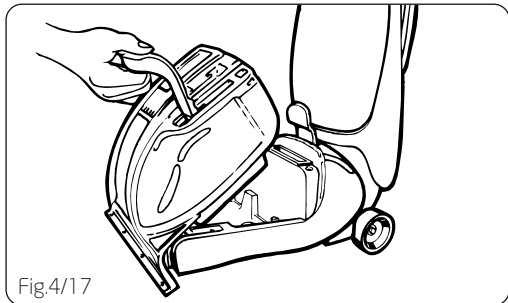


Fig.4/17

Remove dirty water tank lid (Fig.4/18).

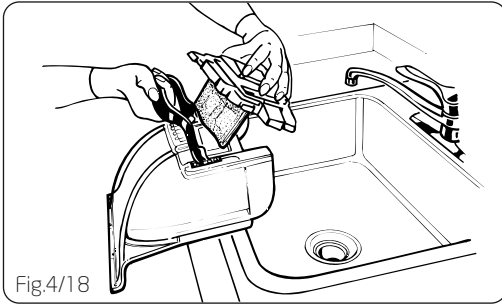


Fig.4/18

To empty the water tank grasp the handle with one hand and the nozzle with the other and empty into the sink (Fig.4/19).

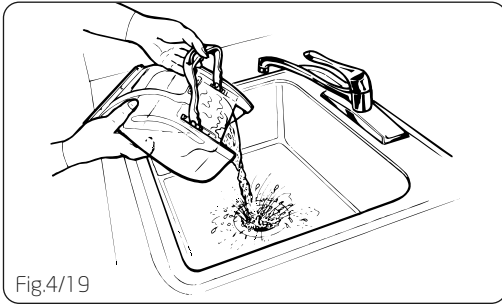


Fig.4/19

#### Cleaning the Dirty Water Tank

Rinse the dirty water tank and filter thoroughly with warm water. You should allow them to dry fully before replacing them on your cleaner to prevent mildew (Fig.4/20).

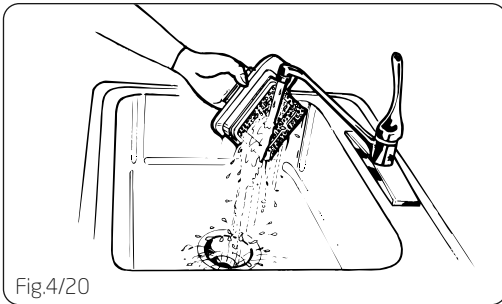


Fig.4/20

**NOTE:** Do not use any chemicals in the cleaning process.

#### Replacing the Dirty Water Tank

Lift the front of the carpet cleaner base off the carpet with one hand (Fig.4/21).

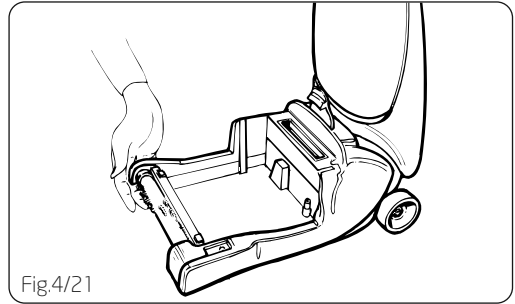


Fig.4/21

Grasp the handle and hook the front of the dirty water cleaner into the base, making sure that the front of the dirty water tank is resting on the base.

The dirty water tank has three tabs on the underside which **MUST** latch on to the underside of the base of the cleaner. The base must be lifted so that the nozzle is flush with the base of the cleaner (Fig.4/22).

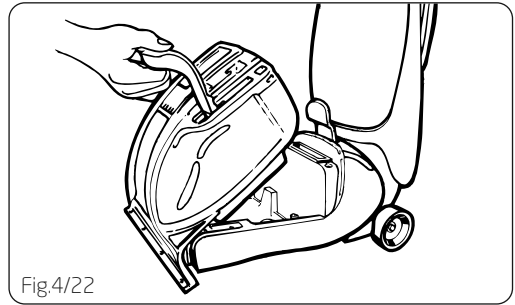


Fig.4/22

**NOTE:** Failure to install the dirty water tank correctly will result in poor dirty water pick up.

While making sure the dirty water tank is resting on the base, place the rear of the tank into the base of the cleaner, push down on the handle until it latches (Fig.4/23).

Empty and rinse clean the water tank after use.

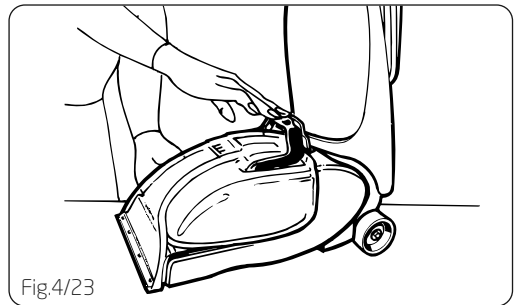


Fig.4/23

## 5. Maintenance

### Belt or Brush Removal and Replacement

Phillips screwdriver required

**!** **IMPORTANT:** Plug must be removed from socket outlet before cleaning or maintaining the appliance.

Remove the water tank, switch off and unplug the carpet washer. Flip the cleaner on it's side to expose the nozzle base (Fig.5/1).

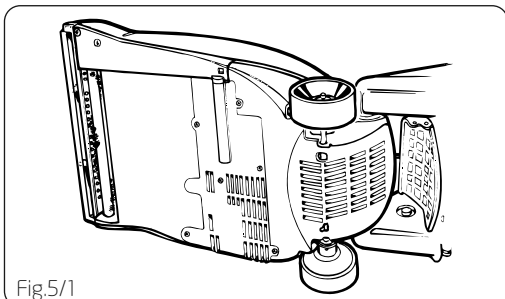


Fig.5/1

To remove the belt cover, use a phillips screwdriver to remove the two screws (Fig.5/2).

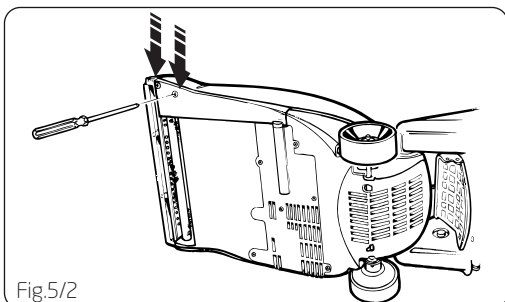


Fig.5/2

Grasp the belt cover near the belt roll and lift out (Fig.5/3).

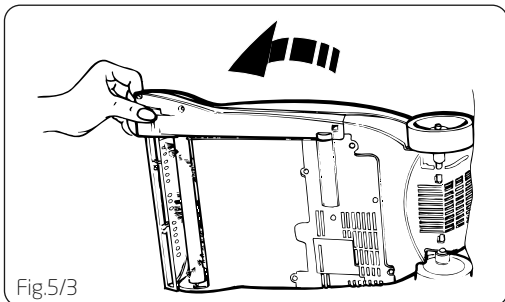


Fig.5/3

Grasp the brush bar with one hand, using the other hand to keep tension on the the belt while removing (Fig.5/4).

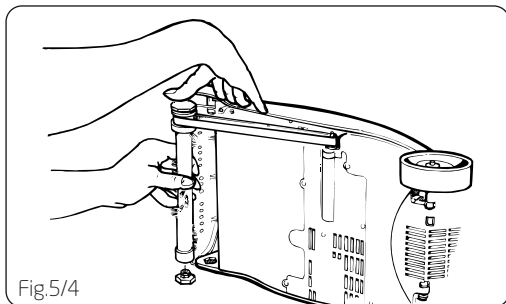


Fig.5/4

Lift brushbar while pulling it out (Fig.5/5).

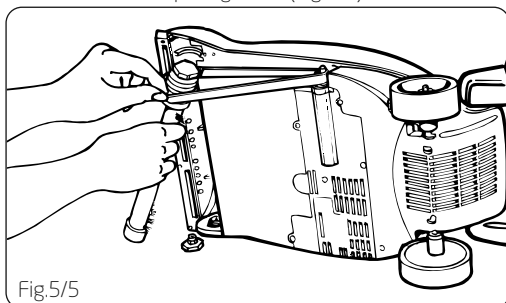


Fig.5/5

Slide the belt off the the motor shaft and dispose (Fig.5/6).

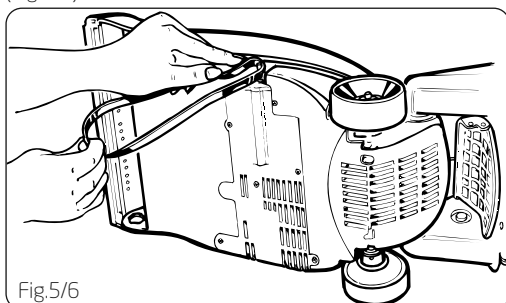


Fig.5/6

When replacing the belt, first slide it onto the motor shaft. Then slip the brush bar through the belt. Place the belt in the area of the brush without bristles.

Slide the brush bar into the nozzle, ensuring that the brush bar end caps are orientated correctly, see inset picture.

Manually turn the brush bar to check that it is fitted properly (Fig.5/7).

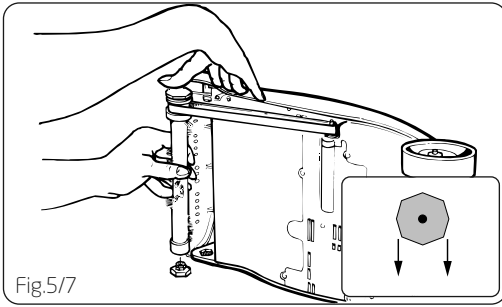


Fig.5/7

Replace the belt cover by inserting the end furthest from the brush first. Then replace the front of the belt cover before securing in place with the two screws (Fig.5/8).

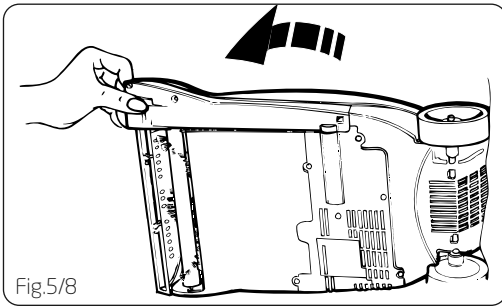


Fig.5/8

## 6. Troubleshooting

**⚠ WARNING:** To reduce the risk of personal injury, unplug the vacuum cleaner before performing maintenance or troubleshooting checks.

**PROBLEM: The cleaner won't run.**

**Cause:** Not properly plugged into electrical outlet.

**Solution:** Plug in firmly.

**Cause:** No electricity in electrical outlet.

**Solution:** Check fuse or breaker.

**Cause:** ON/off switch not turned on.

**Solution:** Push on/off switch to 'on'.

**Cause:** Blown fuse/tripped breaker.

**Solution:** Reset circuit breaker or replace fuse.

**PROBLEM: Cleaner won't pick up/loss of suction.**

**Cause:** Dirty water tank is full.

**Solution:** Switch off and unplug cleaner. Empty dirty water tank as shown in Section 4.

**Cause:** Dirty water tank not installed correctly.

**Solution:** Refer to page 9 for fitting information.

**Cause:** Obstruction in hose/hozzle.

**Solution:** Remove hose and clear obstruction.

**Cause:** Broken or worn belt.

**Solution:** Replace the belt. See page 10.

**Cause:** Brushbar is worn.

**Solution:** Replace the brush bar. See page 10.

**PROBLEM: Dust escaping from the vacuum.**

**Cause:** Dirty water tank is full.

**Solution:** Switch off and unplug cleaner. Empty dirty water tank as shown in Section 4.

**Cause:** Dirty water tank not installed correctly.

**Solution:** Refer to page 9 for fitting information.

**Cause:** Solution tank not installed correctly.

**Solution:** Make sure the tank is securely locked in place.

**PROBLEM: Clean solution won't dispense.**

**Cause:** Solution tank not installed correctly.

**Solution:** Make sure the tank is securely locked in place.

**Cause:** Solution tank empty.

**Solution:** Refill tank. Refer to page 6 for instructions.

## 7. UK Service & Help

### Vax Care 0870 6061248

Monday-Friday 8.30am to 6.30pm

Saturday-Sunday 9.00am to 5.00pm

Any queries or concerns about using the Vax, call the Vax Careline. Calls are charged at the UK national rate.

Please make a note of the serial number and model number of the carpet cleaner before calling. There are over 400 approved Vax Service Agents in the UK. For the nearest Service Agent, please call the Vax Careline.

[www.vax.co.uk](http://www.vax.co.uk)

## 8. Technical Specification

Voltage:	220-240V ~50Hz
Wattage:	600 W
Capacity:	Clean water tank - 3.5 litres Dirty water tank - 2 litres
Cord length:	7.5 metres
Weight:	7.3kg

Subject to technical change without notice.



This page has been left intentionally blank.

This page has been left intentionally blank.

This page has been left intentionally blank.



## EEC STATEMENT OF COMPLIANCE

Manufacturer/EEC importer: Vax Limited, hereby on our own responsibility, declare that the Vax V-026CC carpet washer is manufactured in compliance with the following Directives:

**Safety:** 2006/95/EC Low Voltage Directive

**EMC:** 2004/108/EC Electromagnetic Compatibility Directive



Waste electrical products should not be disposed of with household waste. Please recycle where facilities exist. Check with your Local Authority or retailer for recycling advice.