

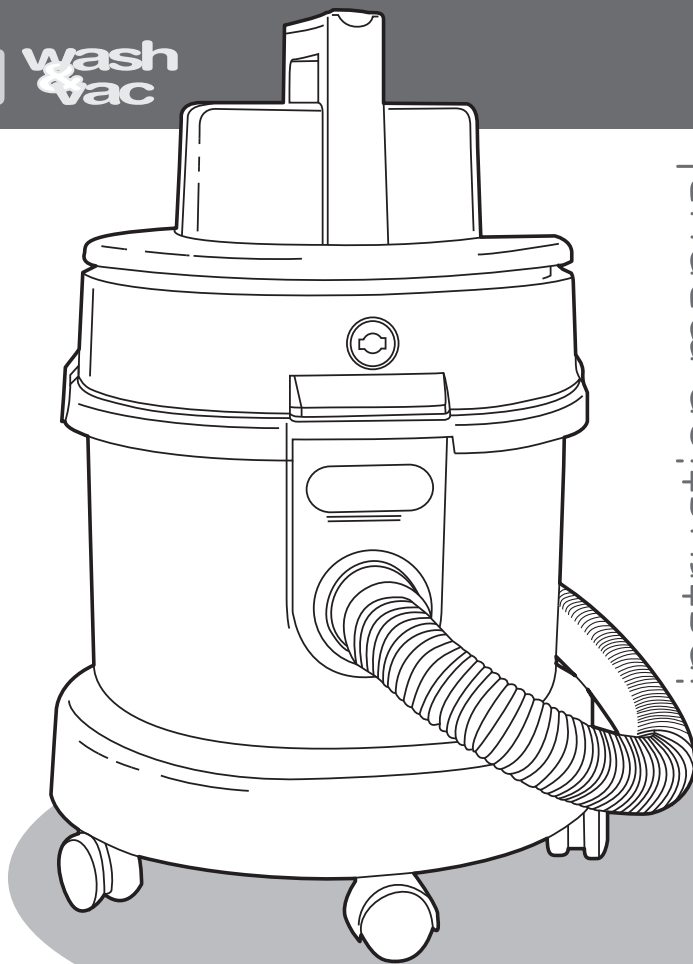


Vax careline
0870 6061248

Multifunction

9131 wash & vac

Vax model number:
9131

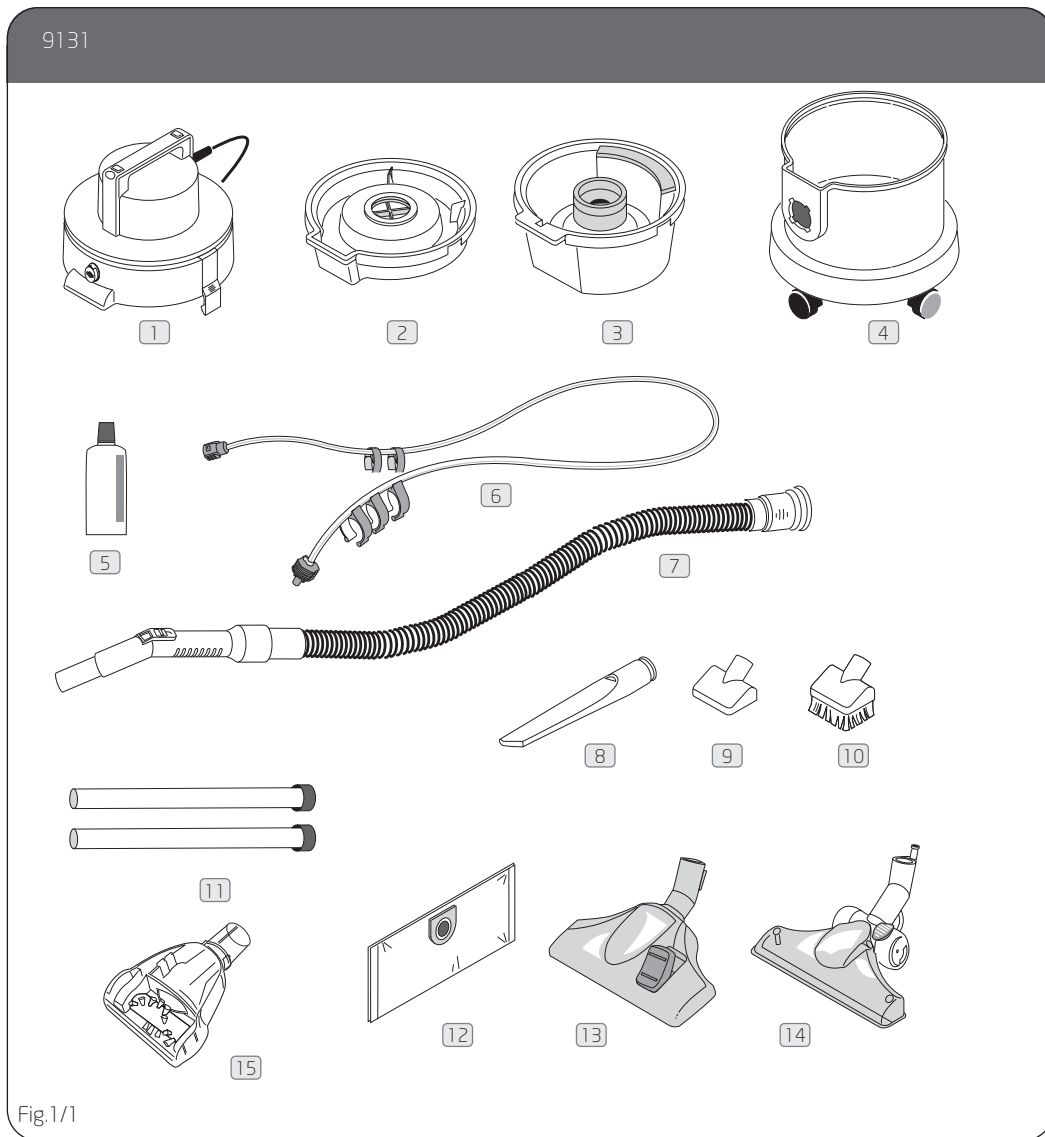


instruction manual

www.vax.co.uk

Please read carefully before using this cleaner.
Always fully extend the mains cable before use.
Retain for future reference.

1. Diagram



- | | | |
|-----------------------------------------|---------------------------|--------------------------------------------------|
| 1 Motor unit | 7 Hose and hand grip | 13 Combination floor head
(for dry vacuuming) |
| 2 Cone filter unit | 8 Crevice tool | 14 Fibreflow wash head
(for carpet washing) |
| 3 Clean water bucket | 9 Upholstery / stair tool | 15 TurboTool |
| 4 Dirty water bucket | 10 Dusting brush | |
| 5 Vax AAA for Pets
Cleaning Solution | 11 Extension tubes | |
| 6 Water delivery tube | 12 Dust bag | |

2 parts overview

2. Safety Information

FOR HOUSEHOLD USE ONLY.

When using the carpet washer, basic safety precautions should always be observed, including the following:

1. Do not leave the carpet washer unattended when plugged in. Unplug it from socket when not in use.
2. To prevent electric shock do not use outdoors.
3. Not to be used as a toy. Children should be supervised to ensure that they do not play with the appliance.
4. This appliance is not intended for use by persons (including children) with reduced physical, sensory or mental capabilities, or lack of experience and knowledge, unless they have been given supervision or instruction concerning the use of the appliance by a person responsible for their safety.
5. Use only as described in this manual.
6. Do not use with a damaged cord or plug. If the supply cord and/or plug is damaged, they must be replaced by the manufacturer, a Vax Service Agent or similarly qualified persons in order to avoid hazard.
7. Do not pull or carry by the cord, use the cord as a handle, allow the cord to come into contact with hot or sharp surfaces or close a door on the cord.
8. Do not unplug by pulling on the cord.
9. Do not handle the plug or carpet washer with wet hands.
10. Do not put any objects into openings or operate with openings blocked, keep them free of anything that may reduce airflow.
11. Keep hair, loose clothing, fingers and all parts of the body away from openings and moving parts.
12. Do not use the carpet washer on any glowing, burning or smoking particles.
13. Do not use without the solution tank and dirty water tank in place.
14. Do not use the vacuum without the dust bag in place.
15. Turn off all controls before unplugging.
16. Do not use to pick up flammable or combustible liquids such as petrol, or use in areas where they may be present.
17. Keep the unit on the floor.
18. Do not use an extension cord.
19. Do not attempt to remove blockages with sharp objects as they may cause damage.
20. Store indoors put away after use to prevent tripping accidents.

21. Using improper voltage may result in damage to the motor and possible injury to the user. The correct voltage is listed on the rating label.
22. A hazard may occur if the carpet washer runs over the power supply cord.
23. To prevent dirty water from running into motor, do not hold the appliance upside-down or lay on its side. Use appliance in normal vacuuming position.
24. Use extra care when cleaning on stairs.
25. Do not carry appliance while motor is running.

NOTE: Carpets should be dry vacuumed thoroughly before washing.

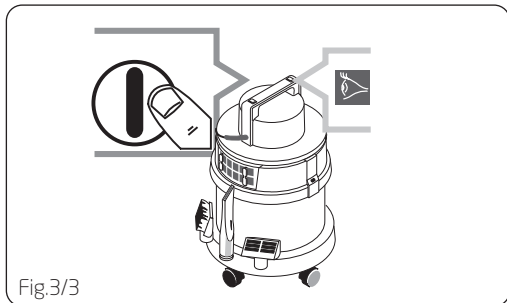
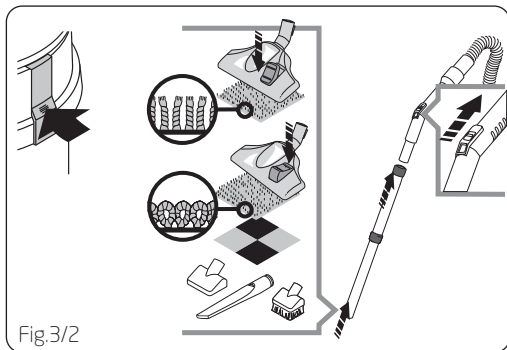
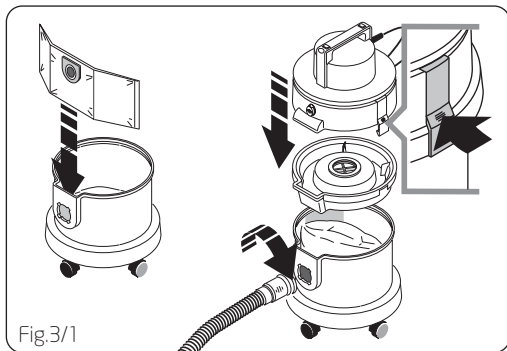
NOTE: The unit must be unplugged from the mains socket outlet after use, and before cleaning or maintaining the unit.



IMPORTANT: This unit is not intended for commercial use.

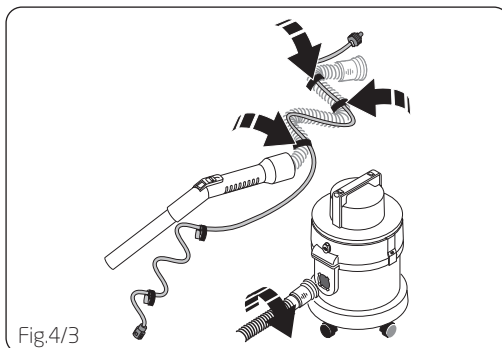
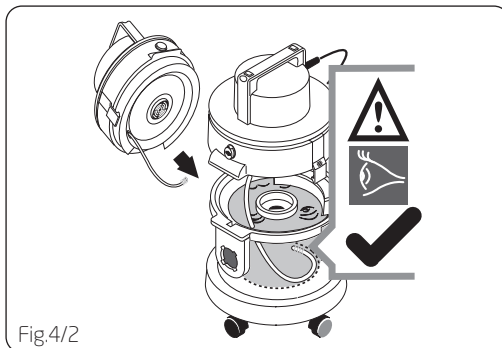
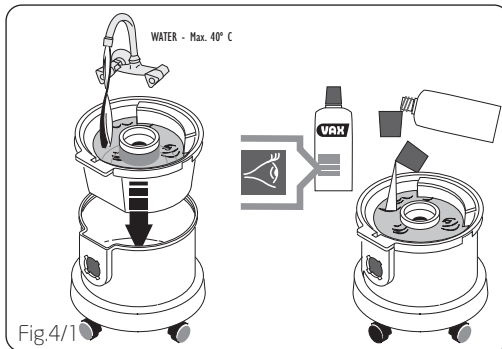
PLEASE KEEP THESE INSTRUCTIONS FOR FURTHER USE.

3. Preparing the unit for vacuuming



4. Preparing the unit for carpet washing

! WARNING: Use only Vax AAA carpet cleaner with this machine. Using other cleaning solutions may cause excessive foaming and damage the unit. Using other soaps will void your warranty.



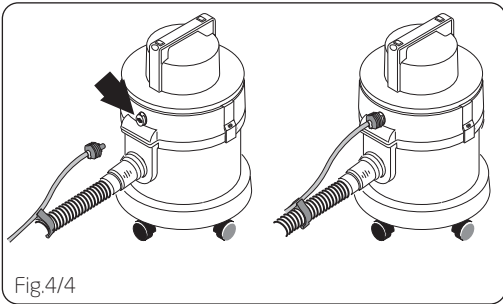


Fig.4/4

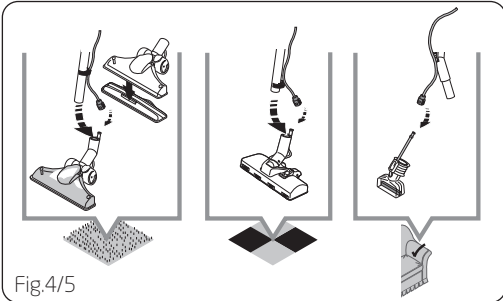


Fig.4/5

5. Carpet washing instructions

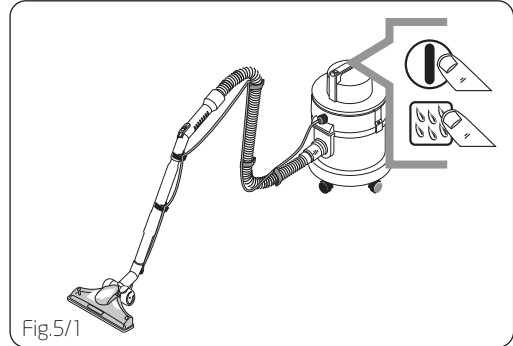


Fig.5/1

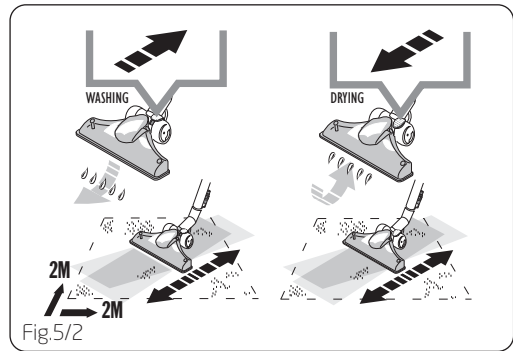


Fig.5/2

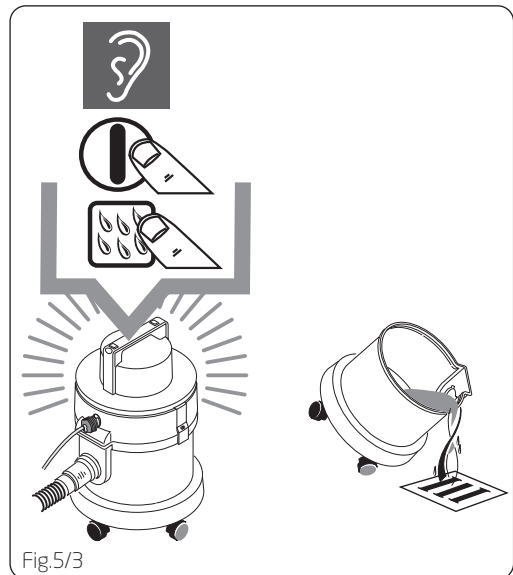


Fig.5/3

6. Cleaning up after use

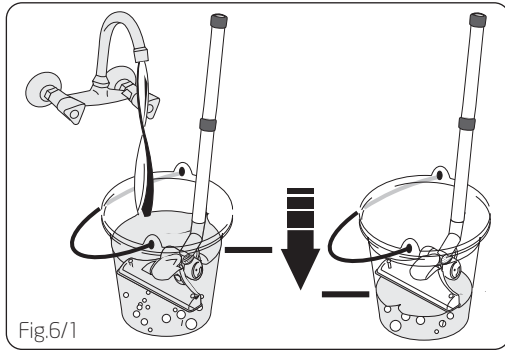


Fig6/1

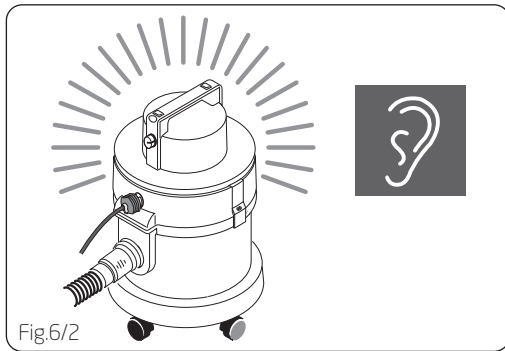


Fig6/2

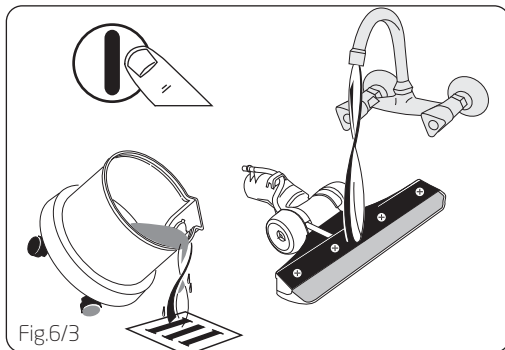


Fig6/3

7. Maintaining your unit

Replace the cone filter regularly (Fig.7/1)

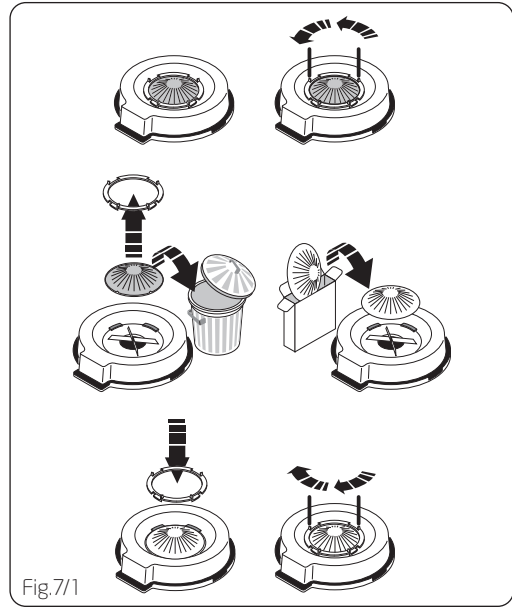


Fig.7/1

Wash out the blue filter regularly and replace occasionally (Fig.7/2).

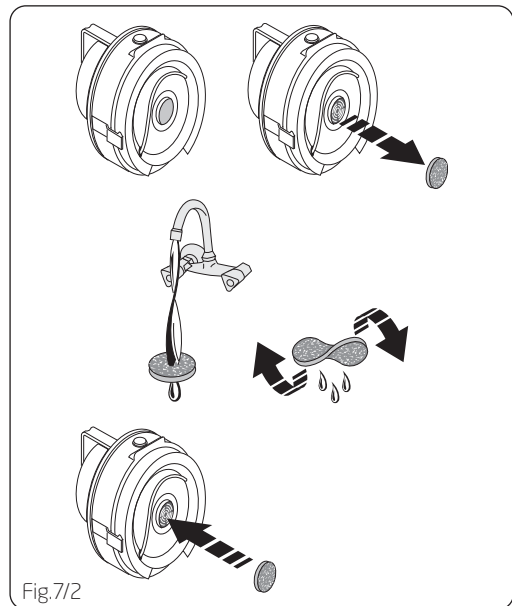


Fig.7/2

8. Troubleshooting

! **WARNING:** To reduce the risk of personal injury, unplug the vacuum cleaner before performing maintenance or troubleshooting checks.

PROBLEM: The cleaner won't run.

Cause: Not properly plugged into electrical outlet.

Solution: Plug in firmly.

Cause: No electricity in electrical outlet.

Solution: Check fuse or breaker.

Cause: ON/off switch not turned on.

Solution: Push on/off switch to 'on'.

Cause: Blown fuse/tripped breaker.

Solution: Reset circuit breaker or replace fuse.

PROBLEM: Cleaner won't pick up/loss of suction.

Cause: Dust bag is full.

Solution: Switch off and unplug cleaner.
Empty dust bag.

Cause: Hose is blocked.

Solution: Remove hose and clear obstruction.

Cause: Filters blocked.

Solution: Replace filters - refer to section 9.

9. UK Service & Help

Vax Care 0870 6061248

Monday-Friday 8.00am to 6.00pm

Saturday-Sunday 9.00am to 5.00pm

An answerphone is available outside of these hours. Any queries or concerns about using the Vax, call the Vax Careline. Calls are charged at the UK national rate.

Please make a note of the serial number and model number of the carpet cleaner before calling. There are over 400 approved Vax Service Agents in the UK. For the nearest Service Agent, please call the Vax Careline.

www.vax.co.uk

10. Technical Specification

Voltage: 220-240V ~50Hz

Wattage: 1300 W

Capacity: Clean water tank - 4.0 litres

Dirty water tank - 8.0 litres

Cord length: 7.5 metres

Weight: 7.5kg

Subject to technical change without notice.





EEC STATEMENT OF COMPLIANCE

Manufacturer/EEC importer: Vax Limited, hereby on our own responsibility, declare that the Vax 9131 is manufactured in compliance with the following Directives:

Safety: 2006/95/EC Low Voltage Directive
EMC: 2004/108/EC Electromagnetic Compatibility Directive



Waste electrical products should not be disposed of with household waste. Please recycle where facilities exist. Check with your Local Authority or retailer for recycling advice.

Vax Ltd., Kingswood Road, Hampton Lovett, Droitwich, Worcestershire, WR9 0QH, UK
email: info@vax.co.uk - website: www.vax.co.uk