



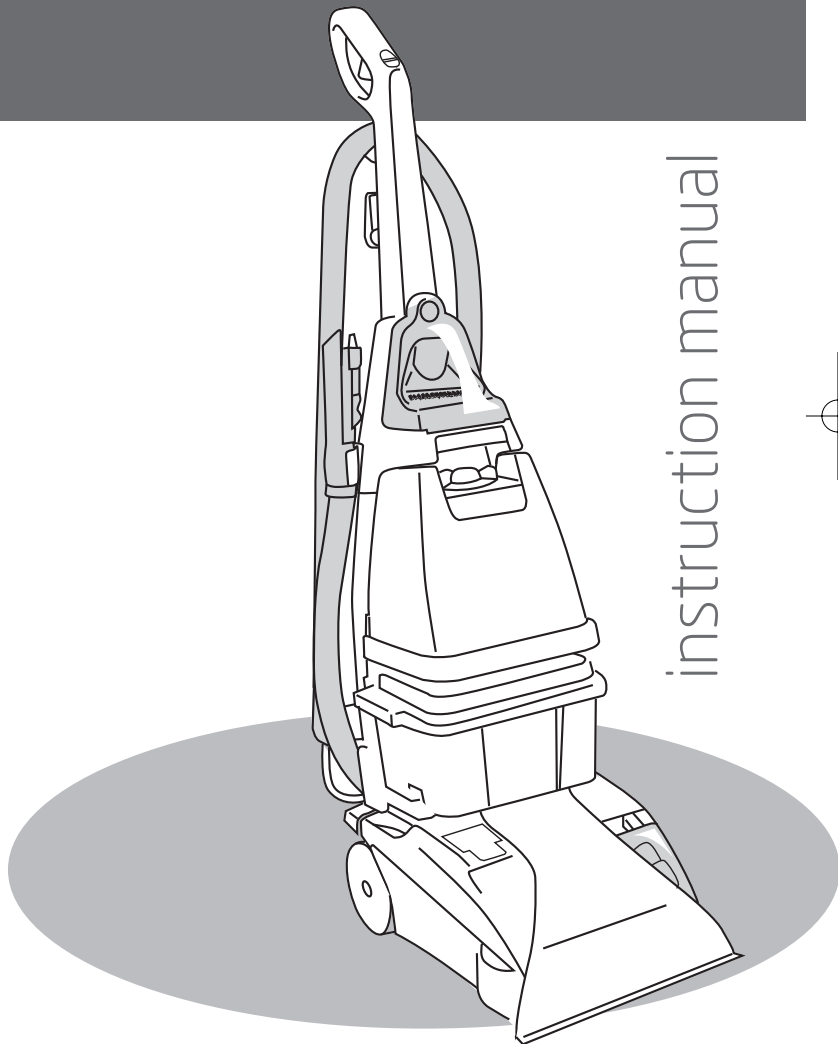
Vax careline
0870 6061248

Carpet cleaner

oasis

complete
carpet washer

Vax model number:
V-133



instruction manual

www.vax.co.uk

Please read carefully before using this cleaner.
Always fully extend the mains cable before use.
Retain for future reference.

1. Diagram

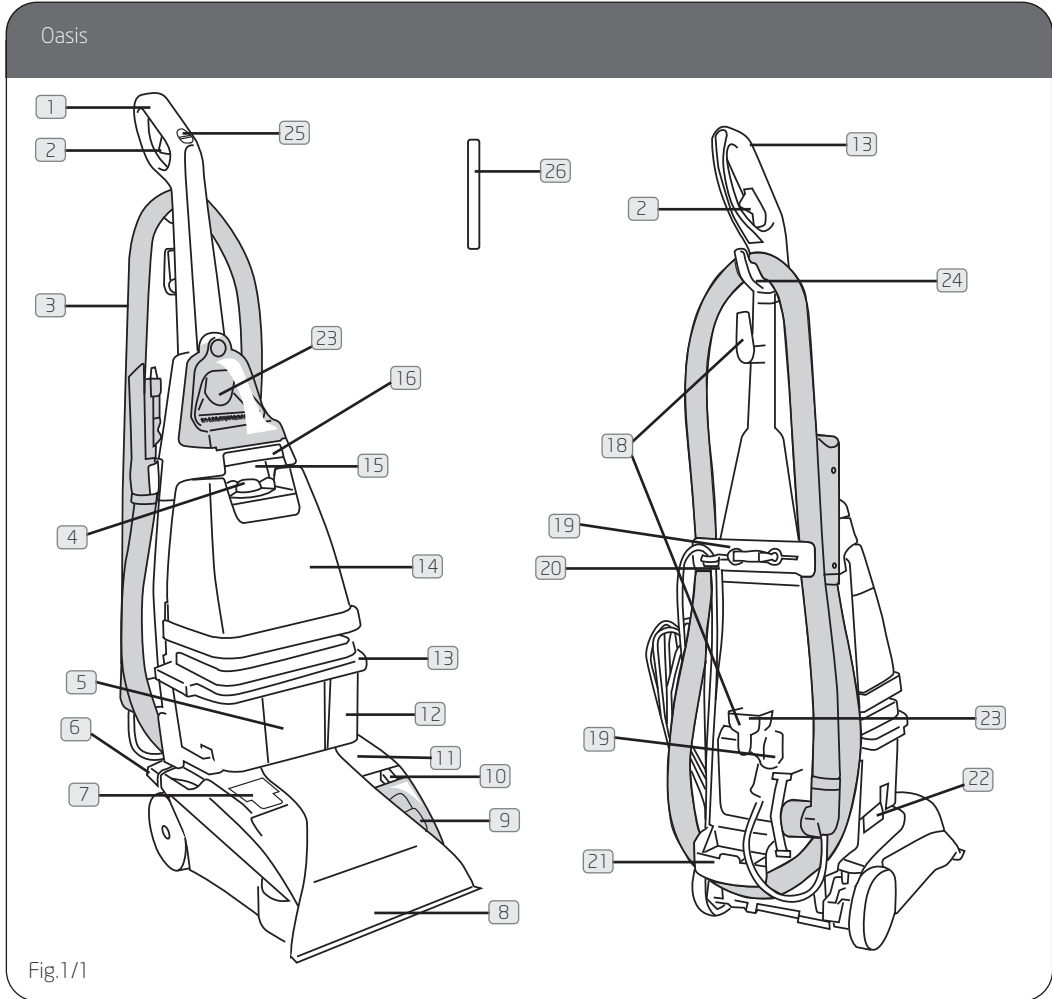


Fig.1/1

- | | |
|---|-------------------------------|
| 1 Hand grip | 14 Clean solution tank |
| 2 Solution trigger | 15 Clean solution tank handle |
| 3 Hose | 16 Carrying handle |
| 4 Clean solution tank cap / measuring cup | 17 Stair/upholstery nozzle |
| 5 Dirty water tank "front panel" | 18 Cord hooks |
| 6 Handle release pedal | 19 Hose holder |
| 7 Solution tube connection | 20 Cord clip |
| 8 Nozzle | 21 Hose hook |
| 9 Brush indicator | 22 Dirty water tank latches |
| 10 Brush speed selector | 23 Spinscrub hand tool |
| 11 Hood | 24 Hose hook |
| 12 Dirty water tank | 25 Clean surge button |
| 13 Dirty water tank lid | 26 Bare floor adaptor |

2. Safety Information

FOR HOUSEHOLD USE ONLY.

When using the vacuum cleaner, basic safety precautions should always be observed, including the following:

1. Do not leave the carpet washer unattended when plugged in. Unplug it from socket when not in use.
2. To prevent electric shock do not use outdoors.
3. Not to be used as a toy. Children should be supervised to ensure that they do not play with the appliance.
4. Use only as described in this manual.
5. Do not use with a damaged cord or plug. If the supply cord and/or plug is damaged, they must be replaced by the manufacturer, a Vax Service Agent or similarly qualified persons in order to avoid hazard.
6. Do not pull or carry by the cord, use the cord as a handle, allow the cord to come into contact with hot or sharp surfaces or close a door on the cord.
7. Do not unplug by pulling on the cord.
8. Do not handle the plug or carpet washer with wet hands.
9. Do not put any objects into openings or operate with openings blocked, keep them free of anything that may reduce airflow.
10. Keep hair, loose clothing, fingers and all parts of the body away from openings and moving parts.
11. Do not use the carpet washer on any glowing, burning or smoking particles.
12. Do not use without the solution tank and dirty water tank in place.
13. Turn off all controls before unplugging.
14. Do not use to pick up flammable or combustible liquids such as petrol, or use in areas where they may be present.
15. Keep the carpet washer on the floor.
16. Do not use an extension cord.
17. Do not attempt to remove blockages with sharp objects as they may cause damage.
18. Store indoors put away after use to prevent tripping accidents.
19. Using improper voltage may result in damage to the motor and possible injury to the user. The correct voltage is listed on the rating label.
20. A hazard may occur if the carpet washer runs over the power supply cord.

NOTE: Carpets should be dry vacuumed thoroughly before washing.

NOTE: The unit must be unplugged from the mains socket outlet after use, and before cleaning or maintaining the unit.



IMPORTANT: This unit is not intended for commercial use.

PLEASE KEEP THESE INSTRUCTIONS FOR FURTHER USE.

Hard Floor Cleaning

NOTE: Only use on sealed hard floor surfaces.

Brushes

NOTE: Brushes continue to rotate even in upright position. Please ensure brush selector is set to the off position when cleaning upholstery.

3. Assembly

Attach upper handle

Remove clean solution tank (upper tank) (Fig.3/1).

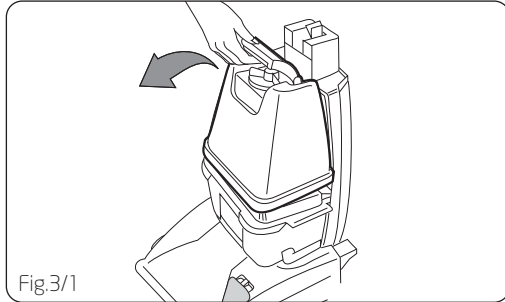


Fig.3/1

With cord hook to back of carpet cleaning machine, push upper handle down onto lower handle (Fig.3/2).

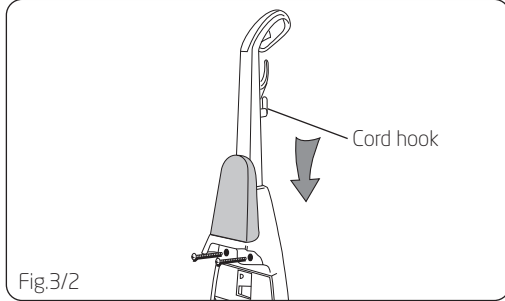


Fig.3/2

Attach hose holder

Position hose holder onto handle by matching tabs on rack with openings on back of handle.

Make sure bolts are through holes (Fig.3/3).

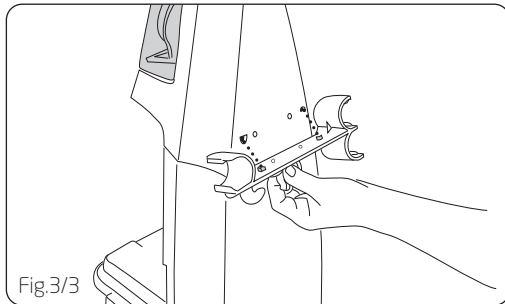


Fig.3/3

Place nuts in recessed areas on back of hose holder. Hold each nut in place while tightening each bolt securely (from the front of the handle) with a Phillips screwdriver. Only two nuts are needed on this model. The extra nut is not required but has been provided for your convenience (Fig.3/4).

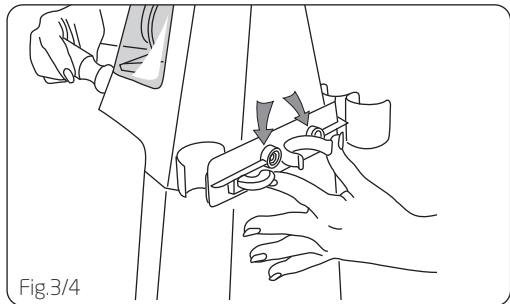


Fig.3/4

When handle sections are completely together, squeeze trigger and depress Clean Surge button on upper handle. You will hear a "snap" when the trigger rod is in place (Fig.3/5).

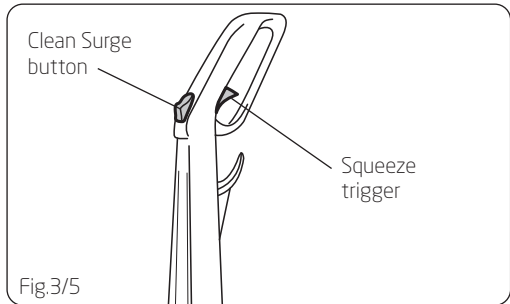


Fig.3/5

Attach tool holder

Remove tool and taped screw from holder. Insert projections on holder into slots on back of cleaner. (Fig.3/6).

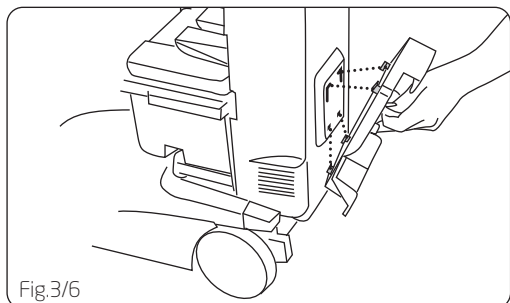
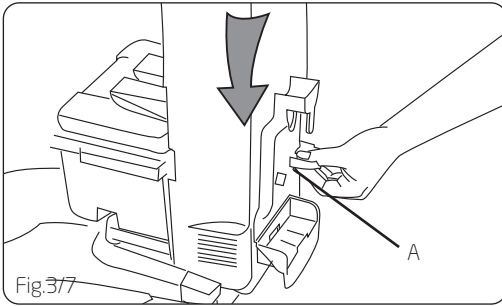


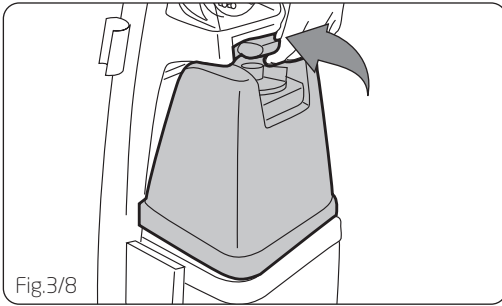
Fig.3/6

Slide holder down into place. Insert screw at (A) and tighten with a Phillips screwdriver (Fig.3/7).



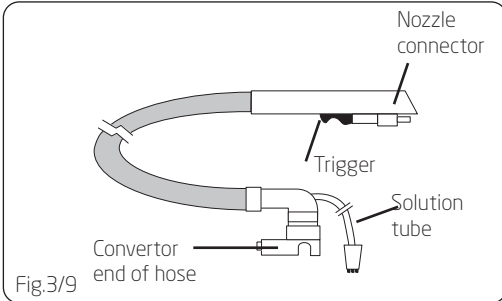
Replace clean solution tank (upper tank) by positioning bottom first.

Press on tank handle to snap top of tank into place (Fig 3/8).



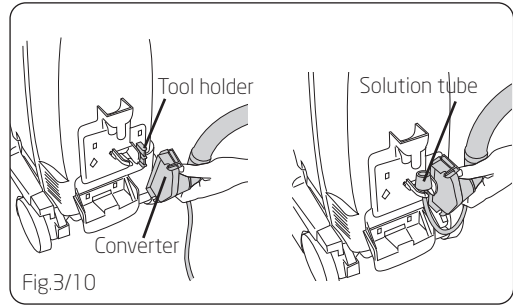
Storing hose

Stretch hose out and identify ends.(Fig.3/9).

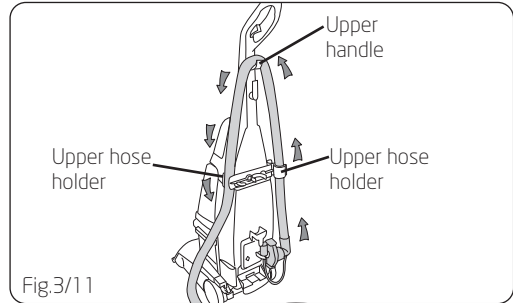


Start with converter end of hose. Fit converter over tab near tool holder.

Press converter firmly to snap in place. Press solution tube into clip next to converter as shown (Fig3/10).

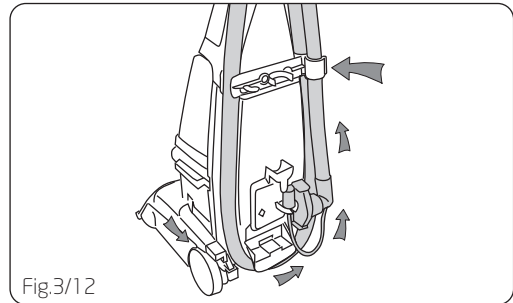


Wrap hose around hook on upper handle .
Press hose into clips on upper hose holder (fig3/11).



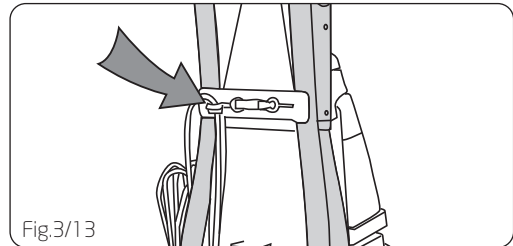
Wrap hose around lower tool holder and continue until nozzle connector is near upper hose holder.

Clip hose in place (Fig 3/12).



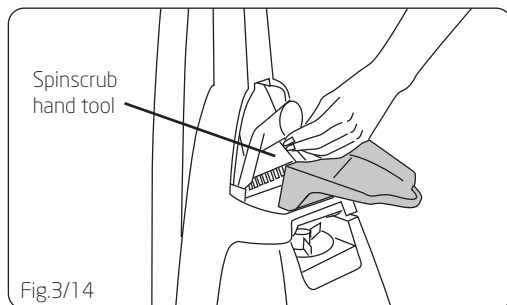
Press cord into cord clip on back of hose holder.

Pull cord tight (Fig 3/13).



Spinscrub hand tool

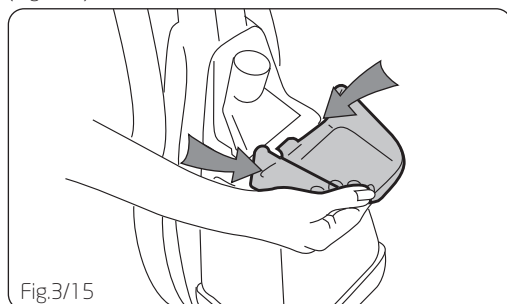
To store Spinscrub hand tool, open tool door, place nozzle in bracket and fit it securely into position. To remove, reverse this procedure (Fig3/14).



How to reattach tool cover

The tool cover is designed with a break-away feature which allows it to snap free if it is pushed open too far.

To reattach, align hinges of cover with slots on sides of tool storage area. Push cover down to secure in place (Fig3/15).



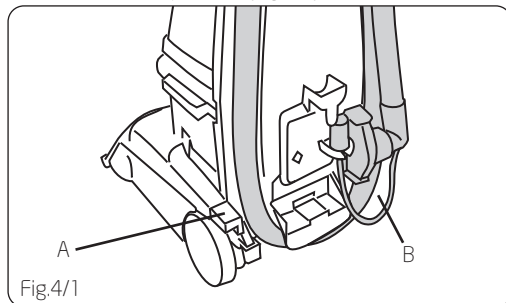
4. Operation

! IMPORTANT: Operate carpet cleaning machine only at voltage specified on data plate on back of cleaner.

On/Off Pedal

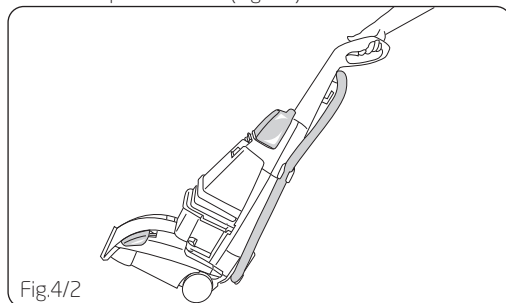
Step on pedal A to turn carpet cleaner on. Step on pedal again to turn carpet cleaner off.

Step on pedal B to lower handle to operating position. Handle does not lock into a single position but "floats" to allow convenient operation (Fig.4/1).



To transport

To move your carpet cleaner from room to room put handle in upright and locked position tilt carpet cleaner back on wheels and push forward. (Fig.4/2).



The carpet cleaning machine may also be lifted by placing a hand under the upper clean solution tank handle (Fig.4/3).



Fig.4/5

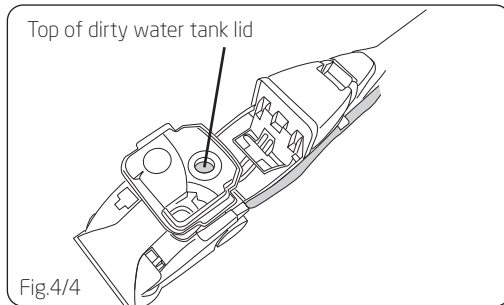
Automatic "shut off"

When the dirty water tank (lower tank) is full the automatic shutoff mechanism will shut off the carpet cleaner suction

(suction will be noticeably reduced). At that time the yellow float disk will rise to the top of the dirty water tank lid. The carpet cleaner will no longer pick up dirty solution and the motor sound will become noticeably higher in pitch.

NOTE: When this happens turn carpet cleaner off and empty dirty water tank before continuing use

Check clean solution tank also; it may need to be refilled (Fig.4/4).

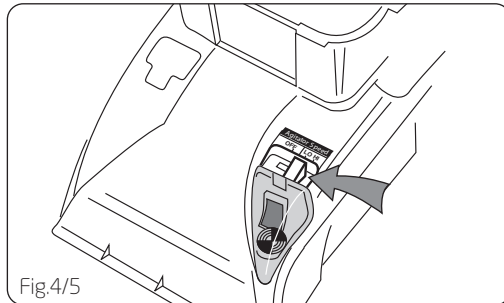


Brush speed selector

Your Oasis SpinPower carpet cleaner has three agitator brush settings.

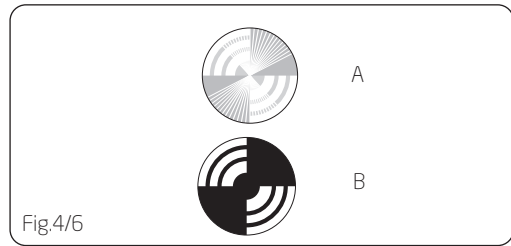
- HI** - for normal cleaning of carpet and bare floors
- LO** - for gentle cleaning of carpets and bare floors
- OFF** - for cleaning carpets and bare floors when brushing is not desired. (Such as when picking up liquid spills.

Slide selector button to the desired setting before cleaning (Fig.4/5).



Brush indicator

The brush indicator will spin (A) when the carpet cleaner is turned ON and the brushes are rotating (Fig 4/6).

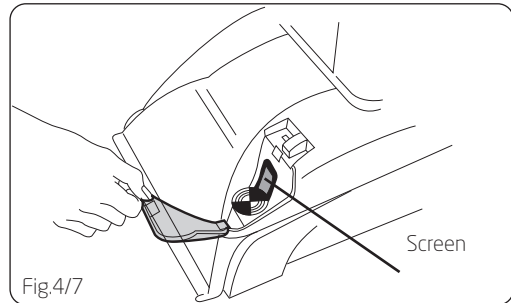


NOTE: If the indicator does not spin and the pattern is visible (B) when the carpet cleaner is turned ON, the brushes are not rotating.

There are three reasons why the brushes may not be rotating:

- Brush speed selector set on OFF (see previous section).
- Solution tube connected (Fig.5/10).
- Brush indicator screen dirty (Fig.4/7).

To clean screen turn carpet cleaner off and disconnect from electrical outlet. Remove clear cover and wipe off screen with a damp cloth. Snap cover back into position (Fig.4/7).

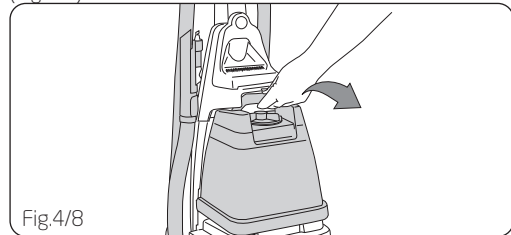


Clean solution tank (upper tank)

The clean solution tank holds the cleaning solution that is to be dispersed onto the surface to be cleaned.

How to fill

Disconnect carpet cleaner from electrical outlet. Place carpet cleaner handle in the upright, locked position. To remove tank, press down on handle and pull forward (Fig.4/8).



Carry tank to a sink. Rotate tank cap counterclockwise and lift up to remove cap (Fig4/9).

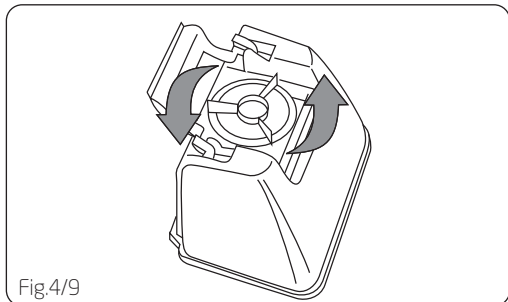


Fig4/9

Turn cap upside down to serve as a measuring cup (Fig4/10).

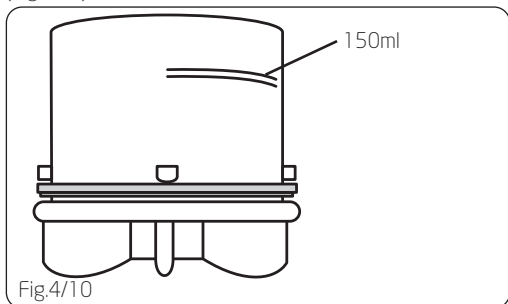


Fig4/10

Using cap, measure detergent following the chart below.

For carpet, carpeted stairs and upholstery:

Fill cap to fill line (150ml) with Vax Carpet/Upholstery Detergent.

For bare floors:

Fill cap to fill line (150ml) with Floor-2-Floor Cleaning Solution.



IMPORTANT: Do not use Hard Floor Cleaning Solution on carpet or upholstery. Do not use any type of wax with your Oasis SpinPower carpet cleaner.

NOTE: Use only Vax detergents. They are specially formulated for use with your Oasis SpinPower carpet cleaner.

Pour detergent into tank. Fill tank to fill line (4L approx) with hot tap water. To assure proper performance, use only Vax cleaning detergent (Fig4/11).

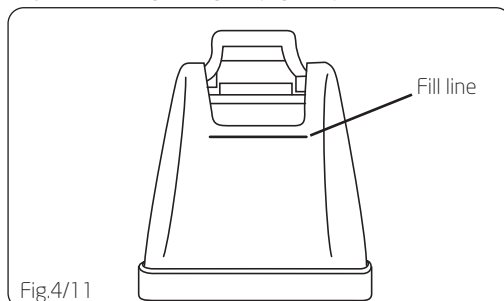


Fig4/11

If rubber ring on cap has become dislodged, reposition it with uneven side against ledge as shown (Fig4/12).

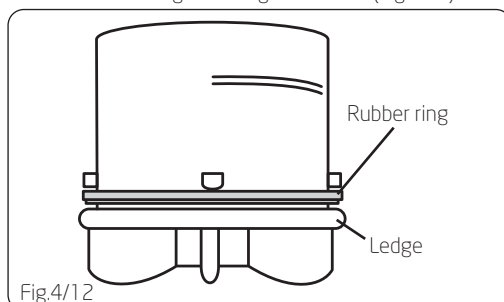


Fig4/12

Replace cap. Rotate cap clockwise until it locks in place.

NOTE: Cap must be locked in place for proper performance and to prevent leaking (Fig4/13).

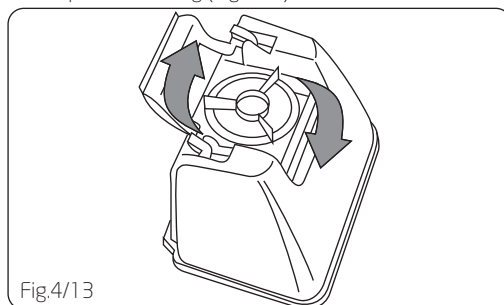


Fig4/13

Position bottom of tank into unit and press on tank handle to snap tank into place (Fig4/14).

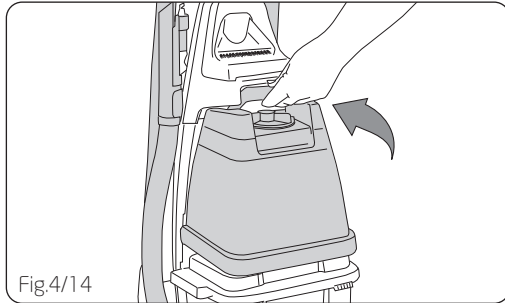


Fig.4/14

Dirty water tank (lower tank)

The dirty water tank holds the dirty solution that is picked up from the carpet. When the dirty water tank is full, the automatic shut-off will engage (see page 7) and the tank must be emptied.

How to empty

⚠ IMPORTANT: Turn carpet cleaner off and disconnect from electrical outlet.

To prevent possible leaking, remove clean solution tank (Fig.4/8) by pressing down on tank handle and pulling forward; set tank aside

NOTE: Do not set tank on furniture

Step on handle release pedal and lower handle until it rests on the floor. If cleaning stairs or upholstery, remove hose by reversing procedure as shown on pages 11 and 12. Rotate dirty water tank latches outward (one on each side of tank). Lift tank off of carpet cleaner and carry it to a sink or drain (Fig4/15).

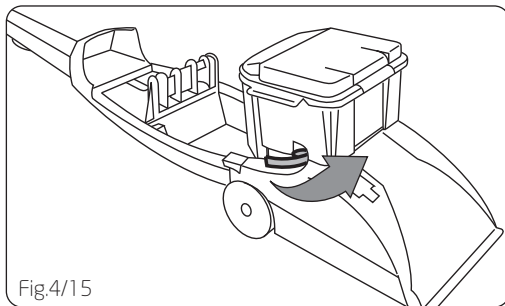


Fig.4/15

Unlatch back part of tank lid and remove lid. Empty tank. Pour dirty water out from the rear of the tank (Fig4/16).

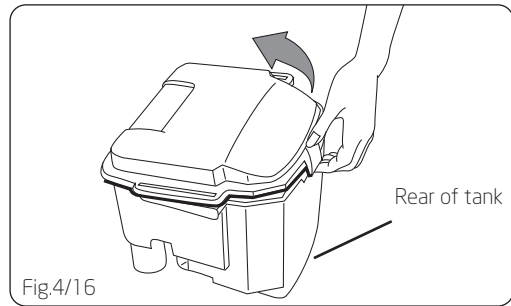


Fig.4/16

The lid replaces in a hinge-like manner. Position the front of lid under tabs on front of tank. Rotate lid down onto tank.

NOTE: Make sure that the lid is secure on all sides before placing tank on cleaner.

NOTE: For full suction, it is important that the recovery tank lid is properly secured before cleaning (Fig.4/17).

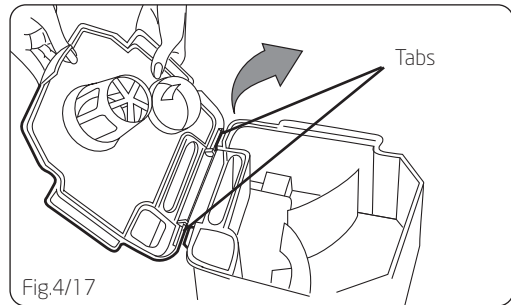


Fig.4/17

Replace tank and press down to ensure that it is properly seated in place. Rotate latches (one on each side of tank) inward to lock tank in place. To continue cleaning stairs or upholstery, replace hose as shown on pages 12 and 13. Raise handle to upright position and replace upper clean solution tank (Fig.4/18).

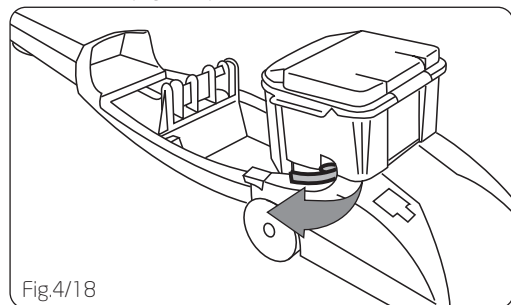


Fig.4/18

5. Cleaning

Before you begin cleaning

Vacuum thoroughly - For carpet, use a vacuum cleaner with a brushbar for best results. Vacuum upholstery with a vacuum cleaner with cleaning tool attachments.

Use a crevice tool to reach into tufts and folds. **Do not use the Oasis SpinPower carpet cleaning machine as a dry vacuum cleaner.**

For upholstery, check cleaning code - Use your Vax Oasis SpinPower cleaning machine only if the upholstery fabric is marked as suitable. Refer to the fabric manufacturer's instructions for details.

Test for colourfastness - Mix detergent and water according to the instructions under "Fill clean solution tank" on pages 5 and 6. Wet a white absorbant cloth with the solution. In a small, hidden area, gently rub the surface with the dampened cloth. Wait ten minutes and check for colour removal or bleed with white paper towel or cloth. If surface has more than one colour, check all colours.

When cleaning entire floor, move furniture out of area to be cleaned (may not be necessary if only high traffic areas are to be cleaned). For furniture too heavy to move, place aluminum foil or wax paper under legs. This will prevent wood finishes from staining carpet. Pin up furniture skirts and draperies.

To prevent staining, use plastic or aluminum foil to protect wood or metal surfaces from possible water spray.

NOTE: No cleaning solution removes all stains from all carpets. Stain removal varies with the type of spill, time passed before removal, carpet material, and carpet type.

After cleaning

Allow carpet or upholstery to dry. To help prevent matting and resoiling the carpet, keep children and pets away from surface until it is completely dry.

If it is necessary to walk on damp carpet, place towels or white cloths on the traffic areas. If furniture must be replaced before the carpet is dry, use plastic or aluminum foil pads under legs of furniture so metal slides or wood finishes will not stain the carpet.

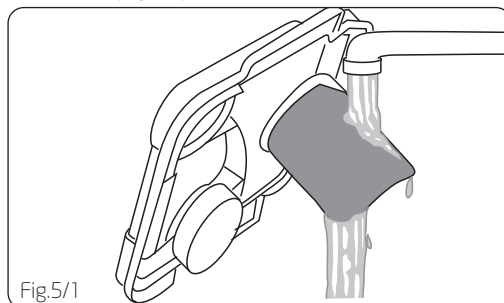
If desired, the carpet may be rinsed. Rinsing is not necessary for cleaning, but it may improve the surface's appearance after it is dry. If rinsing is desired, be careful not to over-wet the carpet or upholstery. Allow time for carpet or upholstery to dry completely between cleaning and rinsing.

To rinse, follow the same procedure for cleaning only using hot tap water with no detergent in the upper clean solution tank.

Empty tanks, rinse with clear water and let air dry.

Rinse the solution tank cap and dirty water tank lid and let air dry.

Remove debris from dirty water tank filter and rinse with clean water (Fig.5/1).



NOTE: If the filter must be removed for cleaning, it is easier to replace if the filter is wet.

NOTE: Vacuum thoroughly after carpet has completely dried. This will help reduce any shading left by the carpet cleaner's brushes.

To clean nozzle

If lint or other debris becomes lodged in nozzle, **do not attempt to remove nozzle cover.**

Pour one to two cups of clear water on a non-carpeted floor. **Do not pour water onto a wood floor.**

Pick up water with your Oasis SpinPower cleaner. Repeat as necessary until debris is flushed out of nozzle. To clean the outside of the machine, wipe off dirt with a cloth dampened in warm water and mild detergent. **Do not use solvent or petroleum based products to clean the machine.**

Carpet cleaning

Read "Before you begin cleaning" instructions on page 7.

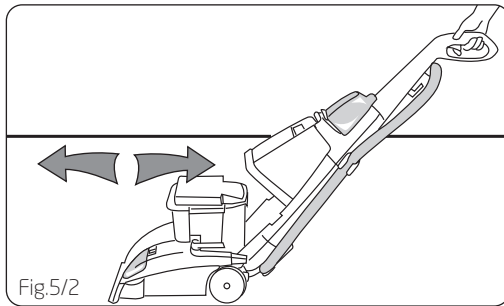
Fill clean solution tank (upper tank) with Vax Carpet/Upholstery cleaning solution according to instructions on page 8

Move speed selector to LO for gentle cleaning or HI for normal cleaning.

Dry hands and plug cord into a properly grounded outlet.

NOTE: Do not clean over floor electrical outlets (Fig.5/2).

Fig.5/2



To avoid walking on damp carpet, start at the end of the room farthest from the door or path to sink where tanks will be emptied and filled. Step on handle release pedal and lower handle to operating position; turn carpet cleaner ON.

Squeeze trigger to release cleaning solution and slowly push carpet cleaner forward (equals one wet stroke).

Continue to squeeze trigger and **slowly** pull carpet cleaner back toward you (second wet stroke). Release trigger and **slowly** push carpet cleaner forward over area just sprayed with solution (dry stroke). Then slowly pull carpet cleaner back toward you without squeezing trigger (dry stroke).

Overlap strokes by 1 inch to help prevent streaking. Keep nozzle flat on floor for both forward and reverse strokes.

For heavily soiled areas, repeat steps.

For particularly soiled carpet or spots, use the Clean Surge button (see following section). Avoid saturating carpet, as noted below.

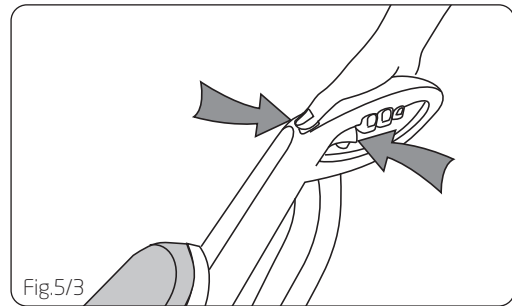
NOTE: To avoid saturating carpet, do not use more than 4 wet strokes over one area. Always end with dry strokes.

It is best to alternate wet and dry strokes as described above. For best cleaning results and to aid in faster drying of carpet, end with more dry strokes. (Continue using dry strokes until little water is visible passing through the recovery tank lid.)

Empty recovery tank when the motor sound becomes higher pitched and there is a loss in suction (see "Automatic shut-off", page 7). When finished cleaning, follow "After cleaning" instructions on page 10.

Clean Surge Button

The Clean Surge button can be used to dispense extra solution when cleaning particularly soiled areas of carpet or spots. To use, press Clean Surge button while squeezing solution trigger. For normal solution spray, release button and continue to squeeze solution trigger (Fig.5/3).



Picking up spills

Your Vax Oasis SpinPower carpet cleaner may also be used to pick up **small liquid spills (3L or less, never to exceed 1cm in depth)** on carpet, upholstery, or bare floors.

For best results, pick up spills immediately by placing the stair/upholstery nozzle just above the spill and suction up any residue on top of the carpet. If the spill remains, place either the stair/ upholstery nozzle or floor nozzle with brushes turned OFF in front of the spill, pull the nozzle very slowly over the spill initially with suction only. Repeat with spray and suction.

When picking up spills on bare floors, use only the floor nozzle with the bare floor attachment in place and speed selector in the OFF position (this will help prevent spreading the spill).

If a spot is left, the stair/upholstery nozzle is generally more effective for removing it. Although no cleaning solution can completely remove all spots, they can be treated by following the instructions provided by the manufacturer of the carpet, upholstery, or bare floor surface being cleaned.

Cleaning bare floors

Do not use the Oasis SpinPower carpet cleaner to pick up flammable or combustible liquids or chemicals. When finished, follow "After cleaning" instructions on page 10.

How to attach bare floor attachment

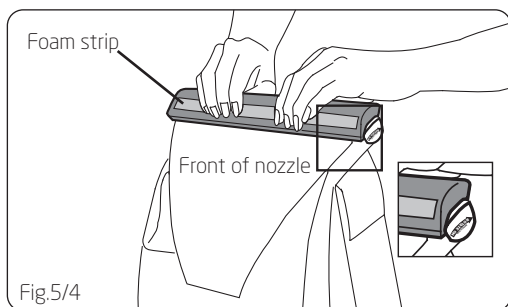
NOTE: Disconnect carpet cleaner from electrical outlet.

To prevent possible leaking, remove clean solution tank and recovery tank before positioning bare floor attachment. Refer to Fig. 4/8 to remove clean solution tank. Set tank aside (do not set tank on furniture).

Refer to Fig. 4/15 to remove recovery tank.

With handle in upright position, tilt cleaner back so that handle rests on the floor.

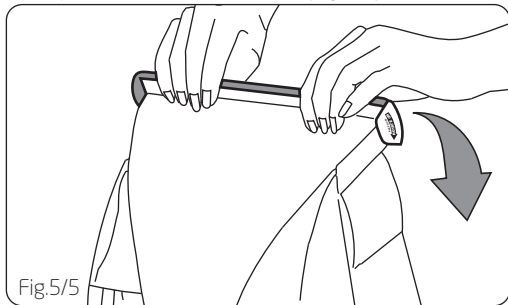
With foam strip (located under the netting) in position as shown, place attachment on front of nozzle. Make sure arrow on end of attachment points in the direction as shown (Fig 5/4).



Push attachment against nozzle while rotating attachment downward until both ends snap into place.

NOTE: Some force may be required to rotate and snap attachment into place.

Return carpet cleaner to upright position. Lower handle and replace recovery tank. Raise handle to upright position and reposition clean solution tank (Fig 5/5).



To clean floor

Read **Before you begin cleaning instructions** on page 10.

Do not use the Oasis SpinPower carpet cleaner on any unsealed hard floors.

Fill clean solution tank with Vax Hard Floor Cleaning Solution according to instructions on pages 7 and 8.

Do not use any type of wax with your Oasis SpinPower carpet cleaner.

Move speed selector to the Lo or HI position for scrubbing or OFF if scrubbing is not desired. Dry hands and **plug carpet cleaner into a suitable power outlet.**

Step on handle release pedal and lower handle to operating position; turn carpet cleaner ON.

To release solution, press trigger. Slowly move carpet cleaner forward and backward over area to be cleaned.

To pick up dirty solution, release trigger and slowly move carpet cleaner over area where solution has just been dispersed. Use both forward and reverse strokes.

Empty dirty water tank when the motor sound becomes higher pitched and there is a loss in suction (see "Automatic shut-off", page 7).

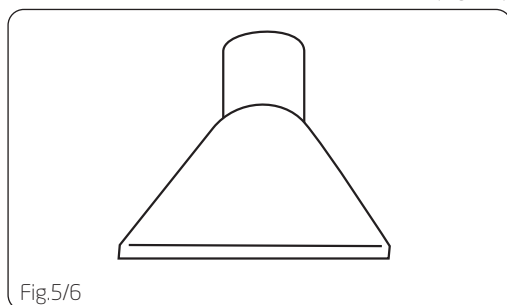
When finished cleaning, follow "After cleaning" instructions on page 10.

Remove attachment from nozzle and rinse in clear water. **Do not remove plastic screen or foam from attachment.**

Stair/upholstery nozzle has a builtin brush to help provide the scrubbing action some spots may need for removal.

How to attach tool

All tools connect to the hose in the same manner (Fig 5/6).

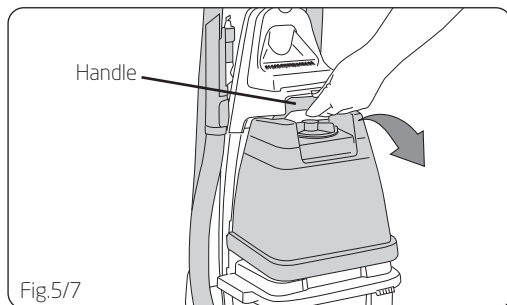


How to attach hose

NOTE: Disconnect carpet cleaner from electrical outlet.

To prevent possible leaking, remove clean solution tank by pressing down on tank handle and pulling forward; set tank aside (do not set tank on furniture).

Remove hose from storage rack (Fig 5/7).



Step on handle release pedal and lower deep cleaner handle until it rests on the floor.

Unlatch back part of recovery tank and (Fig 5/8)

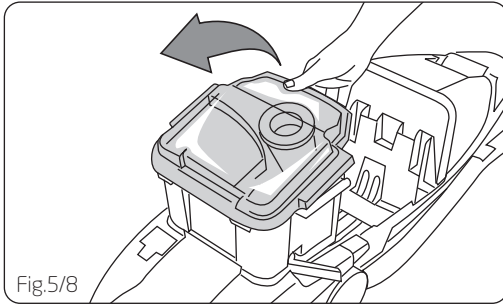


Fig.5/8

Remove recovery tank front panel by sliding it straight up (Fig 5/9).

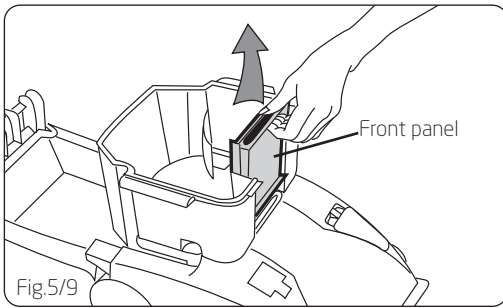


Fig.5/9

Replace panel with converter. Slide converter halfway down opening until it is firmly in place (Fig 5/10).

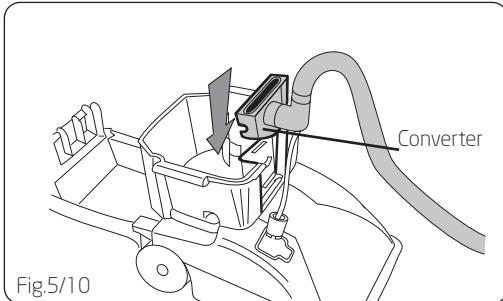


Fig.5/10

NOTE: Before connecting tube to cleaner, make sure black tabs are extended by pulling tan collar toward tube.

Open door on hood labeled "Stair/ upholstery Cleaning Connection". Press round solution tube connector onto round projection inside door.

Press connector collar down firmly to ensure that it is fully connected (Fig 5/11).

NOTE: The tank replaces in a hingelike manner.

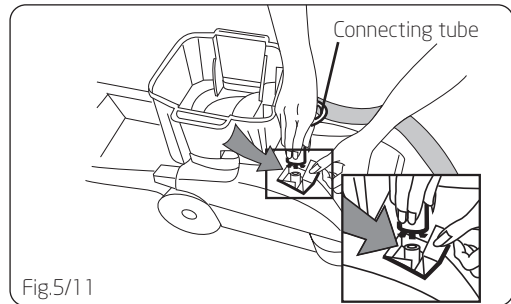


Fig.5/11

Position front of lid under tabs on front of tank. Rotate lid down onto tank.

! IMPORTANT: Make sure lid is secure on all sides before cleaning.

For full suction, it is important that the recovery tank lid is properly secured before cleaning. Reverse procedure to remove hose and solution tube.

Raise carpet cleaner handle to upright position (Fig 5/12).

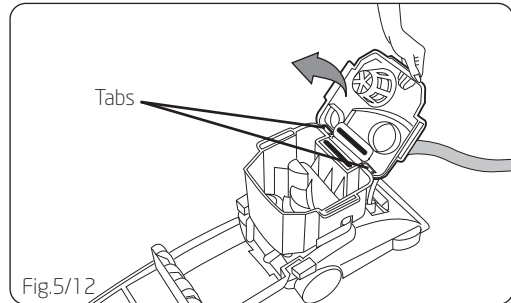


Fig.5/12

Attach tool to connector end of hose by sliding it onto connector until the tab locks it securely.

Using your thumb, push forward and up on the latch to remove tool as shown (Fig 5/13).

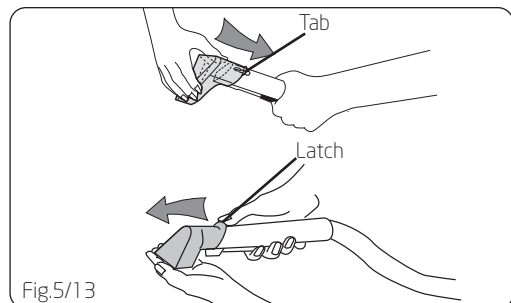


Fig.5/13

Ensure that the brush selector mode is set to the OFF position.

www.vax.co.uk

Before using tool

It may be necessary to remove air from the system ("prime the pump") so the clean solution will flow to the tool. Follow these steps:

Attach tool to hose and turn the carpet cleaner ON.

Put the tool on a hard surface or against your hand to block off the suction.

Wait a few seconds (can take up to 15 seconds). Then squeeze the trigger and begin cleaning.

Follow the instructions on page 15 for the appropriate cleaning task.

After using tool

Follow steps a and b for "After cleaning" on page 10.

Drain suction hose by turning carpet cleaner ON and holding end of hose up for several seconds.

! IMPORTANT: Do not press trigger. Disconnect carpet cleaner from electrical outlet.

Drain solution tube by placing round end in sink and raising nozzle above your head. Press the trigger (Fig 5/14).

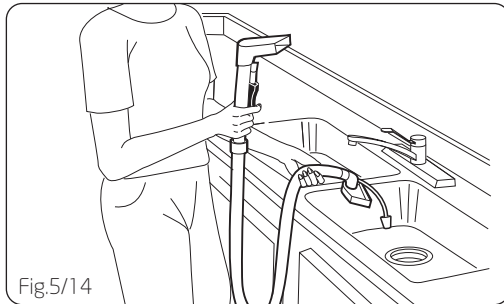


Fig.5/14

Occasionally, debris may become lodged inside of the hose at the converter end.

To clean out the hose, lift bottom of converter clip with a screwdriver and remove clip.

Remove debris as shown (Fig 5/15).

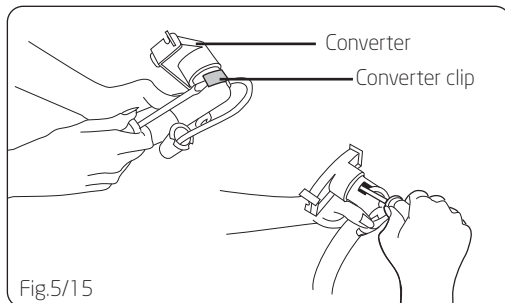


Fig.5/15

Snap clip back into position making sure solution hose is not pinched and moves freely (Fig 5/16).

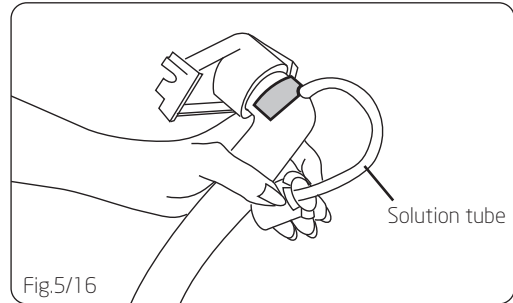


Fig.5/16

Replace recovery tank front panel.

NOTE: Slide panel down until it snaps firmly in place (Fig 5/17).

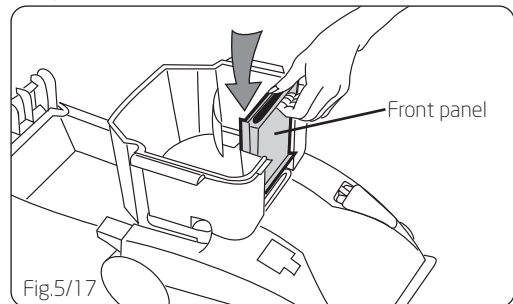


Fig.5/17

Cleaning carpeted stairs

Read "Before you begin cleaning" instructions on page 10.

Place handle in upright position.

NOTE: Agitator brushes will not rotate while handle is in upright position.

Fill clean solution tank with Vax Carpet/Upholstery Detergent according to instructions on pages 7 and 8.

Attach tool to end of hose.

Hose length may require that machine be placed at the top of the stairs to clean upper half of stairway and at bottom of stairs to clean lower half.

To prevent machine from falling, use extra caution when cleaning on stairs.

Do not place carpet cleaner on stairs.

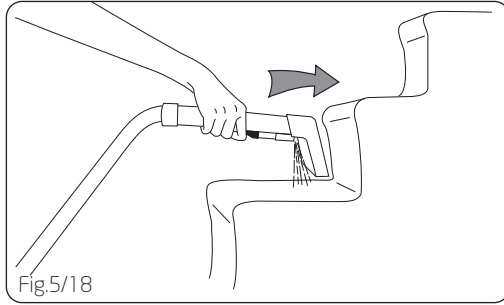
Do not point tools toward people or pets.

Dry hands and plug carpet cleaner into a properly grounded outlet.

Turn carpet cleaner ON. If necessary, refer to "Before using tool" section to remove air from system.

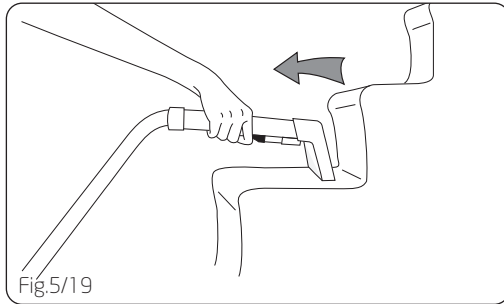
Pre-spray the carpeted stair by holding the tool about one inch above the carpet and push it forward while pressing

the trigger (equals one wet stroke) (Fig 5/18).



Lift tool, and position it against riser.

Pull tool slowly over carpet without pressing trigger (dry stroke) (Fig 5/19).



It is best to alternate wet and dry strokes as described above. end with more dry strokes to aid in faster drying of carpet.

Overlap strokes by 1/2 inch to help prevent streaking.

To avoid saturating carpet, do not use more than 4 wet strokes over any one area. Always end with dry strokes.

If additional cleaning is necessary, wait until the carpet is completely dry before using the tool again.

Empty recovery tank when the motor sound becomes higher pitched and there is a loss in suction (see "Automatic shut-off", page 7).

When finished cleaning, follow "After cleaning" instructions on pages 10 and 11 and "After using tool" instructions on page 14.

Cleaning upholstery

Read "Before you begin cleaning" Instructions on page 10.

Be sure to check the cleaning code on your upholstery or refer to manufacturers cleaning instructions.

Place handle in upright position.

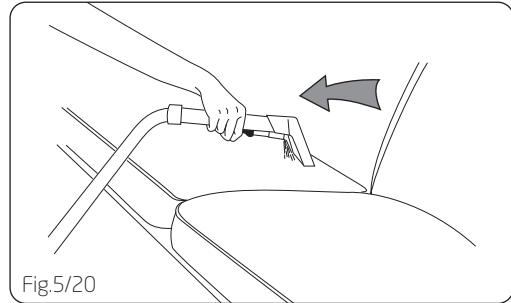
Ensure brushes are set to the OFF position.

Fill clean solution tank with Vax Carpet/Upholstery Detergent according to instructions on pages 7 and 8.

Attach tool to end of hose.

Do not point tools toward people or pets.

Dry hands and plug carpet cleaner into a suitable power outlet (Fig 5/20)



Turn carpet cleaner on. If necessary, refer to "Before using tool" section to remove air from system.

Gently press the tool onto the fabric. Press the trigger and slowly pull the nozzle over the fabric.

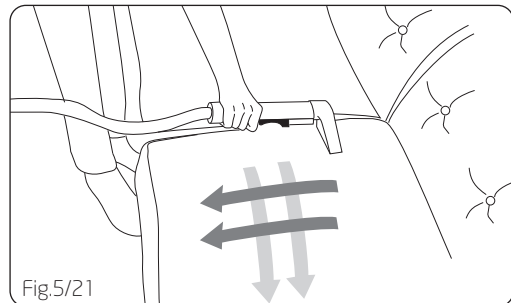
Overlap strokes by 1/2 inch to help prevent streaking.

Make additional strokes without pressing the trigger to remove more moisture.

To clean in corners or creases, lift the tool one-half inch from the fabric and press the solution trigger.

Vacuum up the solution with the tool without pressing the trigger.)

For heavily soiled areas, it may be necessary to repeat the cleaning process. Make crisscrossing strokes to the original pattern; overlap each pass (Fig 5/21).



NOTE: Make no more than 2 passes with the solution over any one area to prevent over-wetting and damage to fabric.

If additional cleaning is necessary, wait until the upholstery is completely dry before using the tool again.

Empty recovery tank when the motor sound becomes higher pitched and there is a loss in suction (see "Automatic shut-off", page 7).

When finished cleaning, follow "After cleaning" instructions on page 10 and "After using tool" instructions on page 14.

6. Maintenance

Removable brushes

Your carpet cleaner is equipped with removable brushes for easy cleaning.

To remove brushes

Disconnect cleaner from electrical outlet.

To prevent possible leaking, remove clean solution tank and recovery tank. Set tanks aside.

Press handle release pedal to lower handle. Turn cleaner over so bottom is facing up (Fig 6/1)

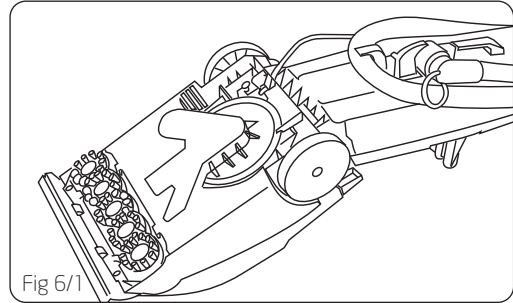


Fig 6/1

Grasp inner portion of brush and pull brush assembly out slightly to reveal latches (Fig 6/2).

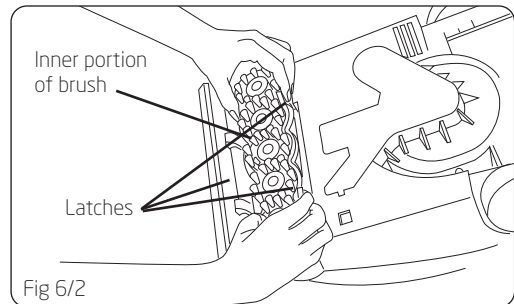


Fig 6/2

Press all four latches and pull brush block out. The brushes can be cleaned under running water (Fig 6/3).

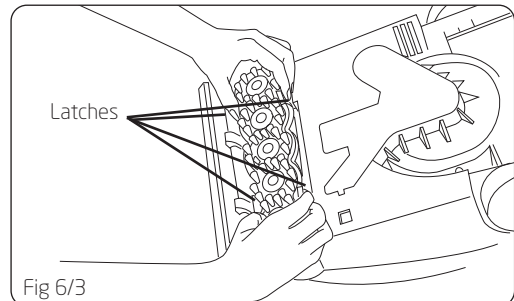


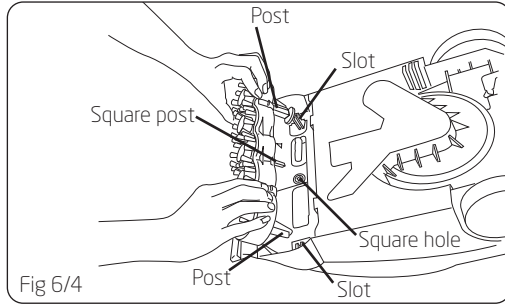
Fig 6/3

To replace brushes

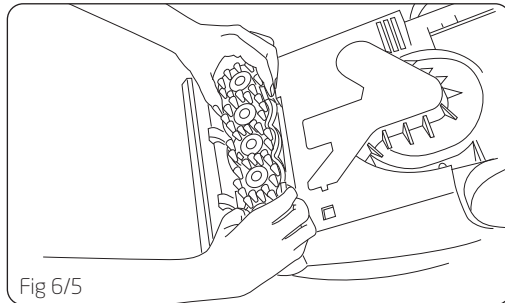
Align posts on both ends of brush assembly with slots (D) in cleaner housing.

Make sure that square post also aligns with square hole.

Turn brushes slightly until post fits easily into hole (Fig 6/4).



Press brush assembly firmly to snap into place (Fig 6/5).



7. Storage

Before storing:

Empty solution tank and rinse thoroughly with clean water.

Replace empty solution tank and turn carpet cleaner ON. Squeeze trigger and push carpet cleaner forward and back several times to expel any solution remaining in the carpet cleaner's system. (Do not use carpet cleaner on wood floors.)

Empty recovery tank and rinse thoroughly with clean water.

Allow brushes and underside of carpet cleaner to air dry thoroughly before storing carpet cleaner on a carpeted or wood surface. Do not store carpet cleaner with

8. Troubleshooting

! WARNING: To reduce the risk of personal injury, unplug the carpet washer before performing maintenance or troubleshooting checks.

PROBLEM: The cleaner won't run.

Cause: Not properly plugged into electrical outlet.

Solution: Plug in firmly.

Cause: No electricity in electrical outlet.

Solution: Check fuse or breaker.

Cause: ON/off switch not turned on.

Solution: Push on/off switch to 'on'.

Cause: Blown fuse/tripped breaker.

Solution: Reset circuit breaker or replace fuse.

PROBLEM: Cleaner won't pick up/loss of suction.

Cause: Dirty water tank is full.

Solution: Switch off and unplug cleaner. Empty dirty water tank as shown in Section 3.

Cause: dirty water tank and lid not correctly installed.

Solution: Replace tank and lid securely.

Cause: Hose/wand tool not securely in position.

Solution: Securely position hose/tool in floor nozzle.

Cause: Lint filter blocked.

Solution: Check lint filter and remove any debris.

PROBLEM: Brushes won't rotate.

Cause: Brushes set to off position.

Solution: Turn brushes to high/low and recline handle.

Cause: Circuit breaker tripped.

Solution: Turn cleaner off and unplug. Check for obstructions in the brush bar. Allow the cleaner to cool, then switch on and continue cleaning.

PROBLEM: Low suction in hose.

Cause: Tool not properly connected.

Solution: Securely attach tool to tool connector.

Cause: dirty water tank is full - automatic shut-off engaged.

Solution: Make sure handle is in upright position.

Cause: Lint filter blocked.

Solution: Check lint filter and remove any debris.

9. UK Service & Help

Vax Care 0870 6061248

Monday-Friday 8.00am to 8.00pm

Saturday-Sunday 9.00am to 5.00pm

Any queries or concerns about using the Vax, call the Vax Careline. Calls are charged at the UK national rate.

Please make a note of the serial number and model number of the carpet cleaner before calling. There are over 400 approved Vax Service Agents in the UK. For the nearest Service Agent, please call the Vax Careline.

www.vax.co.uk

10. Technical Specification

Voltage: 220-240V ~50Hz
Wattage: 1350 W
Capacity: Clean water tank - 4 litres
Dirty water tank - 3 litres
Cord length: 9 metres
Weight: 12.8kg

Subject to technical change without notice.





EEC STATEMENT OF COMPLIANCE

Manufacturer/EEC importer: Vax Limited, hereby on our own responsibility, declare that the Vax V-133 Oasis Complete carpet cleaner is manufactured in compliance with the following Directives:

Safety: 2006/95/EC Low Voltage Directive
EMC: 2004/108/EC Electromagnetic Compatibility Directive



Waste electrical products should not be disposed of with household waste. Please recycle where facilities exist. Check with your Local Authority or retailer for recycling advice.

Vax Ltd., Kingswood Road, Hampton Lovett, Droitwich, Worcestershire, WR9 0QH, UK
email: info@vax.co.uk - website: www.vax.co.uk