



Vax careline
0870 6061248

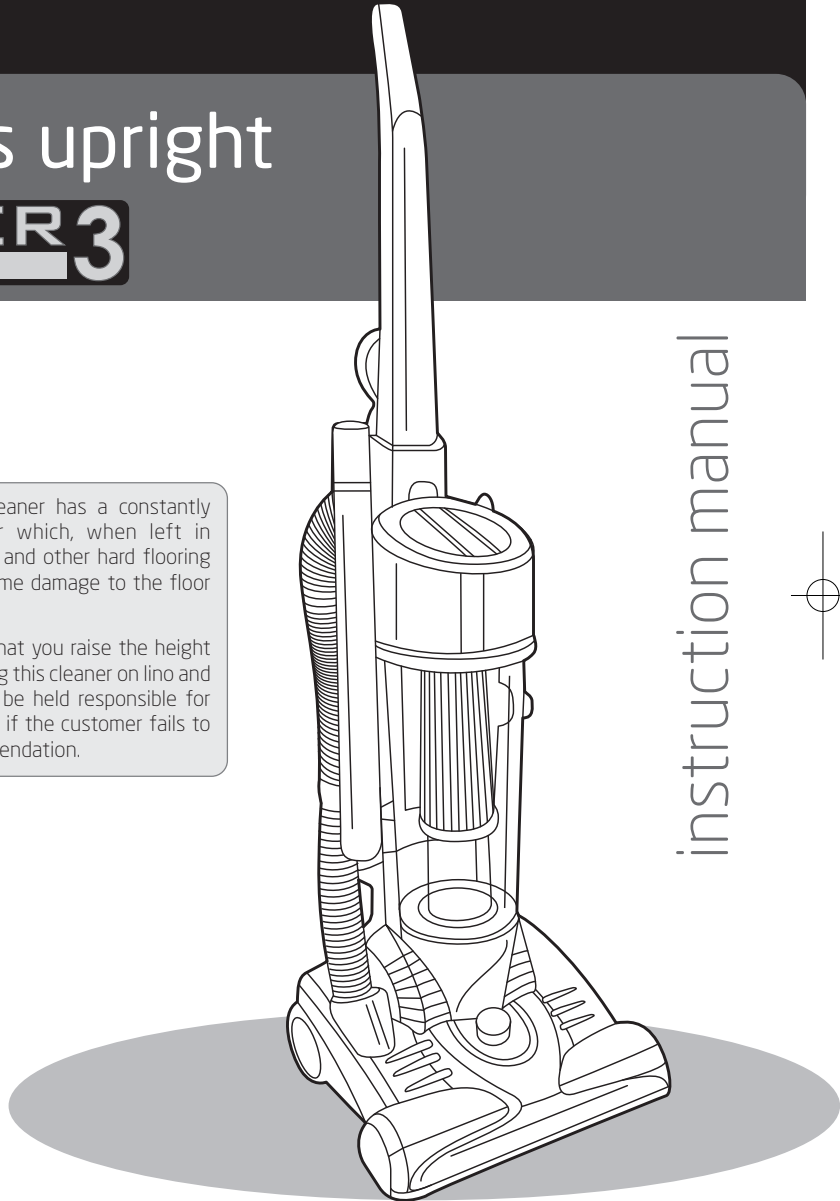
Bagless upright

POWER3

Vax model number:
U91-P3 Series

! **WARNING:** This cleaner has a constantly rotating brush bar which, when left in contact with lino, parquet and other hard flooring could potentially cause some damage to the floor surface.

NOTE: Vax recommends that you raise the height of the brush bar when using this cleaner on lino and hard flooring. Vax cannot be held responsible for damage to these surfaces if the customer fails to take notice of this recommendation.



instruction manual

www.vax.co.uk

Please read carefully before using this cleaner.
Always fully extend the mains cable before use.
Retain for future reference.

1. Diagram

U91-P3

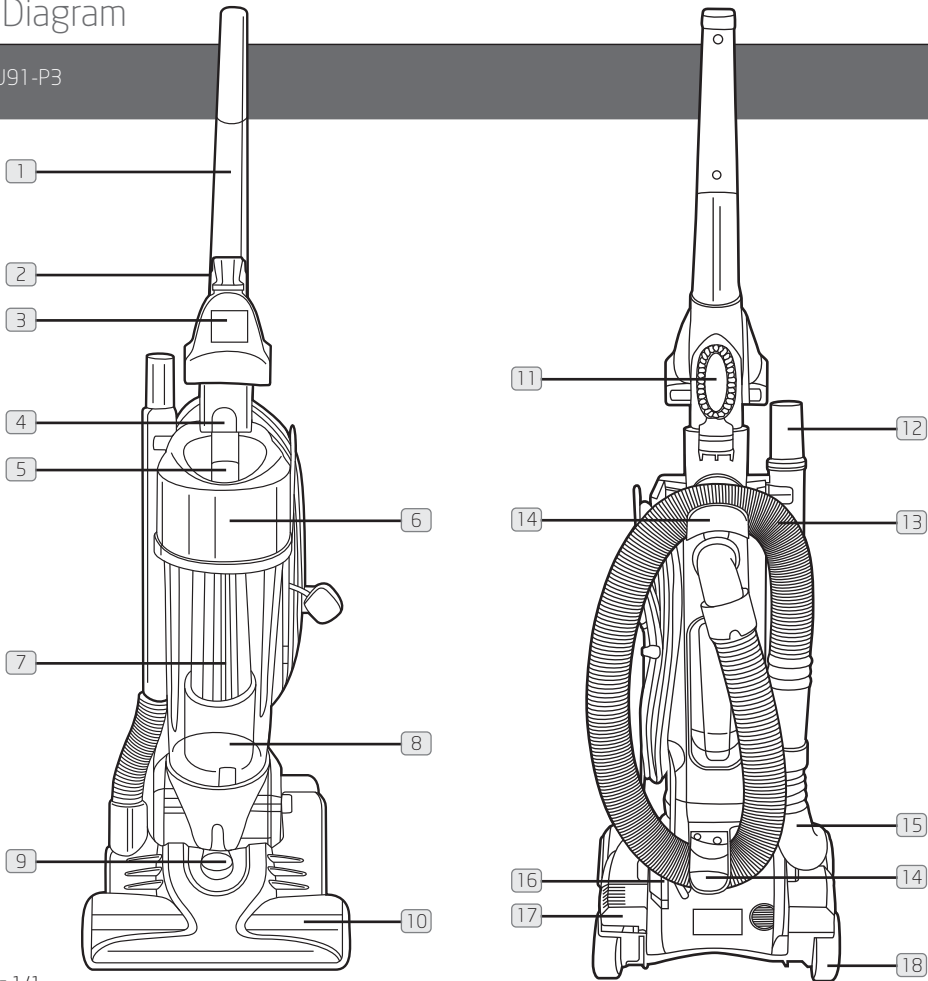


Fig.1/1

- | | |
|--------------------------|------------------------------------|
| 1 Handle | 10 Brush bar |
| 2 TurboTool holster | 11 Dusting brush |
| 3 TurboTool | 12 Crevice tool and extension wand |
| 4 Dirt container release | 13 Hose |
| 5 Drt container handle | 14 Hose guides |
| 6 Dirt container lid | 15 Lower hose |
| 7 Filter | 16 Power on/off |
| 8 Dirt container | 17 Handle release |
| 9 Carpet height adjuster | 18 Wheels |

⚠ WARNING: This cleaner has a constantly rotating brush bar which, when left in contact with lino, parquet and other hard flooring could potentially cause some damage to the floor surface.

NOTE: Vax recommends that you raise the height of the brush bar when using this cleaner on lino and hard flooring. Vax cannot be held responsible for damage to these surfaces if the customer fails to take notice of this recommendation.

2. Safety Information

For Household Use Only

When using the vacuum cleaner, basic safety precautions should always be observed, including the following:

1. Only use the vacuum cleaner indoors on dry surfaces.
2. Turn off the vacuum cleaner controls before connecting or disconnecting from the mains supply.
3. Always unplug the vacuum cleaner before connecting or disconnecting the vacuum hose and accessories.
4. Close attention is necessary when used by or near children. Do not allow children to use as a toy.
5. This appliance is not for use by persons (including children) with reduced mental, physical or sensory capabilities, or lack of experience or knowledge, unless they have been given supervision or instruction concerning use of the appliance by a person responsible for their safety.
6. Use only as described in this manual. Use only the manufacturer's recommended attachments.
7. Do not use the vacuum cleaner if it has been dropped, damaged, left outdoors or dropped into water. Do not use the vacuum cleaner with a damaged cord or plug. If the supply cord or plug is damaged, return the vacuum cleaner to a Vax Authorised Service Agent or suitably qualified person for examination, repair or adjustment.
8. Do not pull or carry by the cord. Do not use the cord as a handle, close a door on the cord or pull the cord around sharp edges or corners. Do not run the vacuum cleaner over the cord. Keep the cord away from heated surfaces.
9. Do not handle the plug or vacuum cleaner with wet hands. Do not use outdoors or on wet surfaces.
10. Do not put any objects into openings. Do not use with any openings blocked and do not restrict air flow. Keep all openings free of dust, lint, hair or anything that may reduce airflow.
11. Keep hair, loose clothing, fingers and all parts of the body away from openings and moving parts.
12. Do not pick up hot coals, cigarette butts, matches or any hot, smoking or burning objects.
13. Do not pick up flammable or combustible materials (lighter fluid, petrol, kerosene, etc) or use in the presence of explosive liquids or vapours.
14. Do not vacuum up harmful or toxic material (chlorine bleach, ammonia, drain cleaner, etc).
15. Do not vacuum up hard or sharp objects such as glass, nails, screws, coins, etc.
16. Do not use without the filters in place.
17. Take extra care when vacuuming on stairs.
18. Keep vacuuming area well lit.
19. Store the vacuum cleaner indoors in a cool, dry area.
20. Turn off the on/off switch before unplugging the vacuum cleaner.
21. Use only CE-approved 13 amp extension cords. Non-approved extension cords may overheat. Care should be taken to arrange the cord so that the cord cannot be pulled or tripped over.

! **WARNING:** Always switch off and unplug the vacuum cleaner from the electrical outlet before assembling, opening or emptying the dirt container, or before connecting/disconnecting the attachments.

! **CAUTION:** The vacuum cleaner is a very powerful unit. Before plugging the cord into the electrical outlet, make sure the switch is in the 'off' position. Hold the vacuum cleaner firmly when starting and in use.

! **IMPORTANT:** If the inlet or hose is blocked, switch off the vacuum cleaner and remove the blockage(s) before re-starting the vacuum cleaner.

! **IMPORTANT:** Cleaning filters improves vacuum performance.

This vacuum cleaner is intended for household use only and not for commercial or industrial use.

Please keep these instructions for further use.

Motor Thermostat

! **IMPORTANT:** The motor is equipped with a thermal cut-out. If for any reason, the vacuum cleaner should over-heat, the thermostat will automatically turn the unit off. Should this occur, unplug the vacuum cleaner from the electrical outlet and turn off the switch. Remove the dirt container and empty. Clean the filters. Allow the cleaner to cool for approximately one (1) hour. To re-start, plug into an electrical outlet and switch back on.

3. How to Assemble

⚠ IMPORTANT: Always unplug the vacuum cleaner from the electrical outlet before assembling or removing the accessories.

Tool required: Phillips screwdriver

1. Place the base of the cleaner so it is facing away from you. Position the body so that the lower hose is on your right hand side. Push the body down into place.

To secure the body in place insert two screws supplied into the back of the cleaner, through the hole located above the hose guide (Fig.3/1).

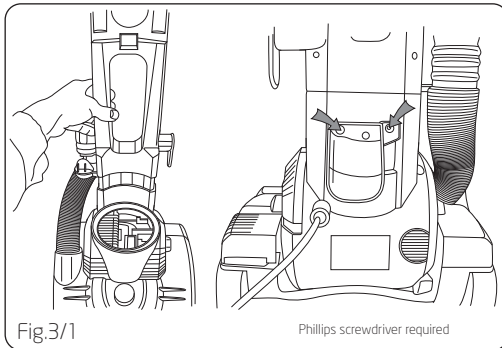


Fig.3/1

Phillips screwdriver required

2. With the cord clip on the handle facing you place it onto the top of the body of the cleaner (Fig.3/2).

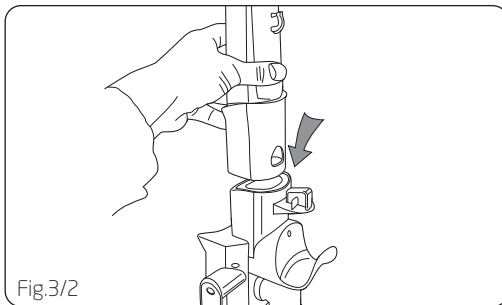


Fig.3/2

3. Push down firmly and line up the hole on the rear of the handle. Insert lock piece into hole and screw into place with the long screw (Fig.3/3).

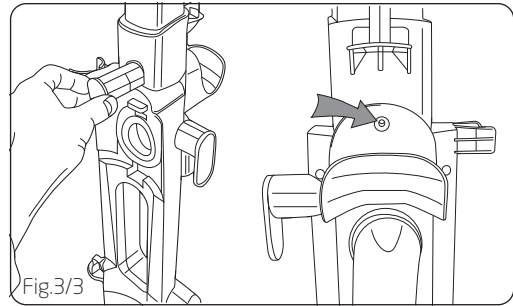


Fig.3/3

4. Using the handle attach the main hose into the left hand side of the cleaner. Press down firmly to secure in place. The main hose can then be secured in the top and side of the hose holder.

Push the dirt container lid firmly on top of the dirt container and place it onto the cleaner. The canister lid will snap into place in the body of the cleaner.

Attach the tools to the tool holder. The dusting brush fits over a post at the back of the vacuum cleaner.

The crevice tool fits into the extension wand. The extension wand is located on the right hand side (Fig.3/4).

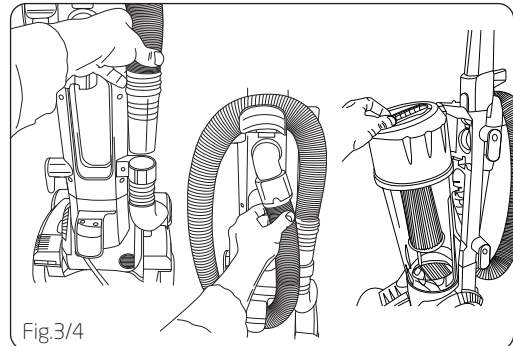


Fig.3/4

5. Store the TurboTool in the caddy on the handle (U91-P3P only) (Fig.3/5).

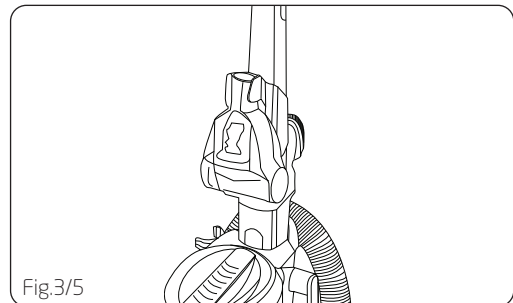


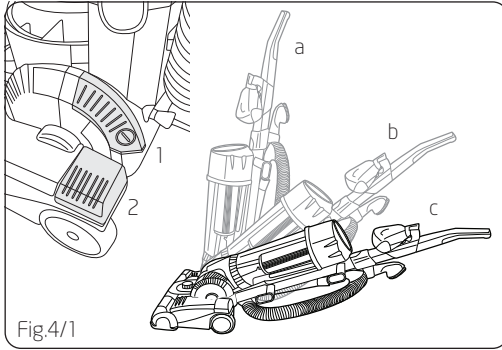
Fig.3/5

4. How to Operate

1. Plug the cord into an electrical outlet and turn on by pressing the on/off pedal, located on the back left of the cleaner (1).

To unlock the handle from the upright position press the handle release pedal (2) down.

Move the handle to the desired position (a) for storage and position (b) for normal operation. To clean under furniture, press the release pedal again and use position (c) (Fig.4/1).



⚠ WARNING: This cleaner has a constantly rotating brush bar which, when left in contact with lino, parquet and other hard flooring could potentially cause some damage to the floor surface.

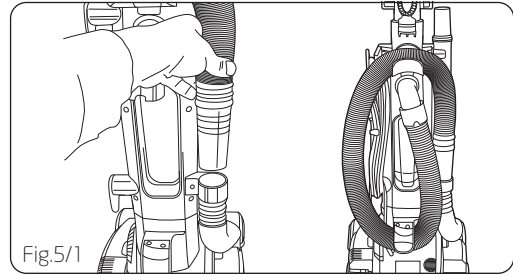
NOTE: Vax recommends that you raise the height of the brush bar when using this cleaner on lino and hard flooring. Vax cannot be held responsible for damage to these surfaces if the customer fails to take notice of this recommendation.

5. Accessories

NOTE: This unit is fitted with a constantly rotating brush bar. To avoid damage to your carpet, ensure the unit is not left on the stair tread when using the accessories.

1. Make sure the vacuum cleaner has been switched off and is in an upright position. Remove the lower hose by twisting and pulling away from the side connector.

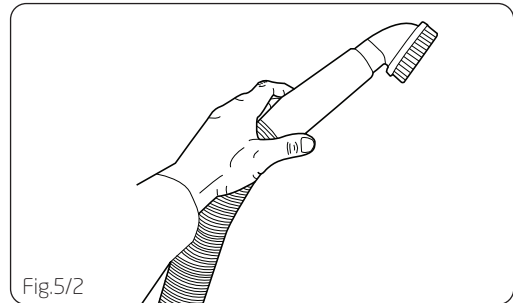
Remove the hose from the hose holder (Fig.5/1).



2. For hard to reach areas when additional hose length is required, use the extension wand. It fits over the end of the hose handle.

Choose the accessory that suits your need or use the hose alone.

To fit the attachments push them firmly on to the end of the extension wand or hose handle (Fig.5/2). To remove the tool, twist and pull apart gently.



TurboTool (U91-P3P only): Make sure the cleaner is turned off before fastening TurboTool. Attach TurboTool to hose end as all other accessories. For best pick up use backward strokes on the surface being cleaned.

6. Dirt Container & Filter: Removal and Replacement

1. Make sure the vacuum cleaner has been switched off and unplugged from the mains supply. To remove the dirt container from the vacuum cleaner press the release catch and pull it forward.

To remove the lid of the dirt container hold the top and the side handles firmly and turn the lid anti-clockwise. Pull the lid away from the body of the dirt container.

Empty all the dust and dirt from the dirt container (Fig.6/1).

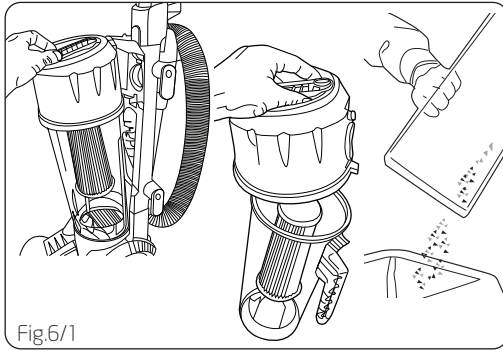


Fig.6/1

2. The filter inside the dirt container should be replaced every 12 months. It should be cleaned each time the dirt container is emptied. Remove it by grasping the ring at the top of the filter.

Twist and pull the filter out. To clean it, tap it gently against the side of a dustbin. Do not use a brush to clean it as this may damage the filter.

Replace the filter into the dirt container. Push it firmly into place to prevent dust and dirt leaking out. Replace the canister lid turning clockwise and return the dust (Fig.6/2).

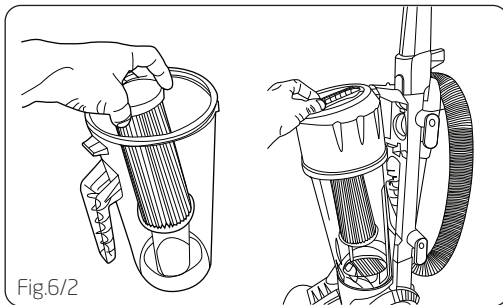


Fig.6/2

7. Belt and Brush: Removal and Replacement

1. Unplug the vacuum cleaner from the mains supply. Press the handle release button and turn the vacuum cleaner over so that the base lies flat and face up. Use a screwdriver to remove the four retaining screws shown above. Remove the nozzle guard.

Lift and remove the brush bar, then slide the belt off the motor shaft and dispose of it. Place a new belt on the motor shaft and then slip the brush bar through the belt.

The belt should sit on the section of the brush bar without bristles. Re-fit the brush bar. Ensure the end caps are in the correct position. Rotate the brush bar to check the belt is not twisted. Replace the nozzle guard (Fig.7/1).

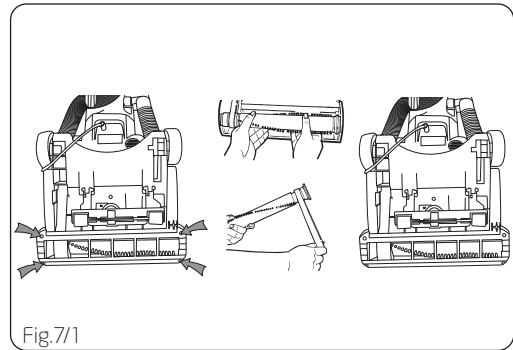


Fig.7/1

8. Clearing Blockages

⚠ WARNING: To reduce the risk of injury from moving parts, unplug before servicing.

Clearing Blockages from the TurboTool

1. Turn the TurboTool/Power Brush over and slide off the O-ring (Fig.8/1).

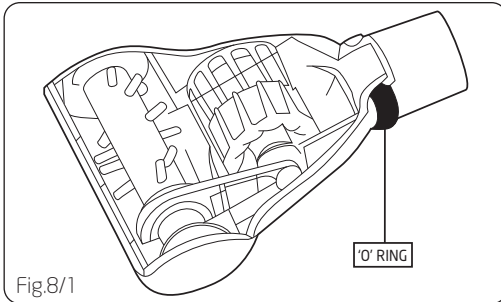


Fig.8/1

2. Pivot lowering housing and remove clog (Fig.8/2).

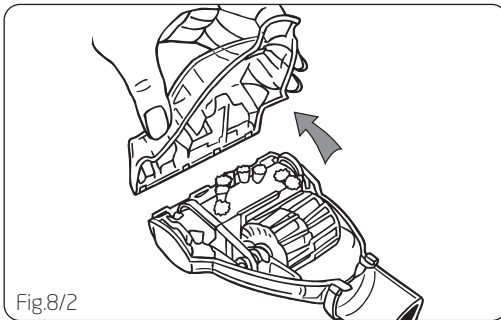


Fig.8/2

3. To re-assemble, be sure that the tabs are engaged. Pivot the lower housing closed. Slip the O-ring into the groove at the neck of the TurboTool/Power Brush to complete reassembly (Fig.8/3).

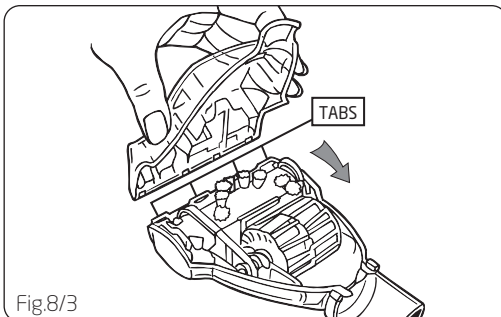


Fig.8/3

9. Troubleshooting

⚠ WARNING: To reduce the risk of personal injury, unplug the vacuum cleaner before performing maintenance or troubleshooting checks.

PROBLEM: Vacuum cleaner won't run

Cause: Not properly plugged into electrical outlet.

Solution: Plug in firmly.

Cause: Blown fuse/tripped breaker.

Solution: Reset circuit breaker or replace fuse.

Cause: Thermal cut out.

Solution: Refer to page 3 for information.

PROBLEM: Cleaner won't pick up/loss of suction.

Cause: Lower hose not connected properly.

Solution: Refer to page 4 for fitting information.

Cause: Dirt container not installed correctly, or full.

Solution: Review dirt container replacement.

Cause: Broken or worn belt.

Solution: Replace the belt.

Cause: Clogged filters.

Solution: Remove, clean and replace filters.

Cause: Nozzle / hose or hose inlet is clogged.

Solution: Remove nozzle/hose and obstruction.

PROBLEM: Dust escaping from the vacuum cleaner.

Cause: Dirt container full.

Solution: Empty dirt container.

Cause: Dirt container not installed correctly.

Solution: Review dirt container replacement.

Cause: Hose not installed properly.

Solution: Review vacuum cleaner assembly.

www.vax.co.uk

10. UK Service & Help

Vax Care 0870 6061248

Monday-Friday 8.00am to 8.00pm
Saturday-Sunday 9.00am to 5.00pm

Any queries or concerns about using the Vax, call the Vax Careline. Calls are charged at the UK national rate.

Please make a note of the serial number and model number of the carpet cleaner before calling. There are over 400 approved Vax Service Agents in the UK. For the nearest Service Agent, please call the Vax Careline.

www.vax.co.uk

11. Technical Specification

Voltage:	220-240V ~50Hz
Wattage:	1600W
Capacity:	2.4 litres
Filters:	HEPA (U91-P3) HEPA, antibacterial (U91-P3P)
Cord length:	6 m
Weight:	8 kg

Subject to technical change without notice.



This page has been left intentionally blank

This page has been left intentionally blank

This page has been left intentionally blank



EEC STATEMENT OF COMPLIANCE

Manufacturer/EEC importer: Vax Limited, hereby on our own responsibility, declare that the U91-P3 series is manufactured in compliance with the following Directives:

Safety: 2006/95/EC Low Voltage Directive

EMC: 2004/108/EC Electromagnetic Compatibility Directive



Waste electrical products should not be disposed of with household waste. Please recycle where facilities exist. Check with your Local Authority or retailer for recycling advice.

Vax Ltd., Kingswood Road, Hampton Lovett, Droitwich, Worcestershire, WR9 0QH, UK
email: info@vax.co.uk - website: www.vax.co.uk