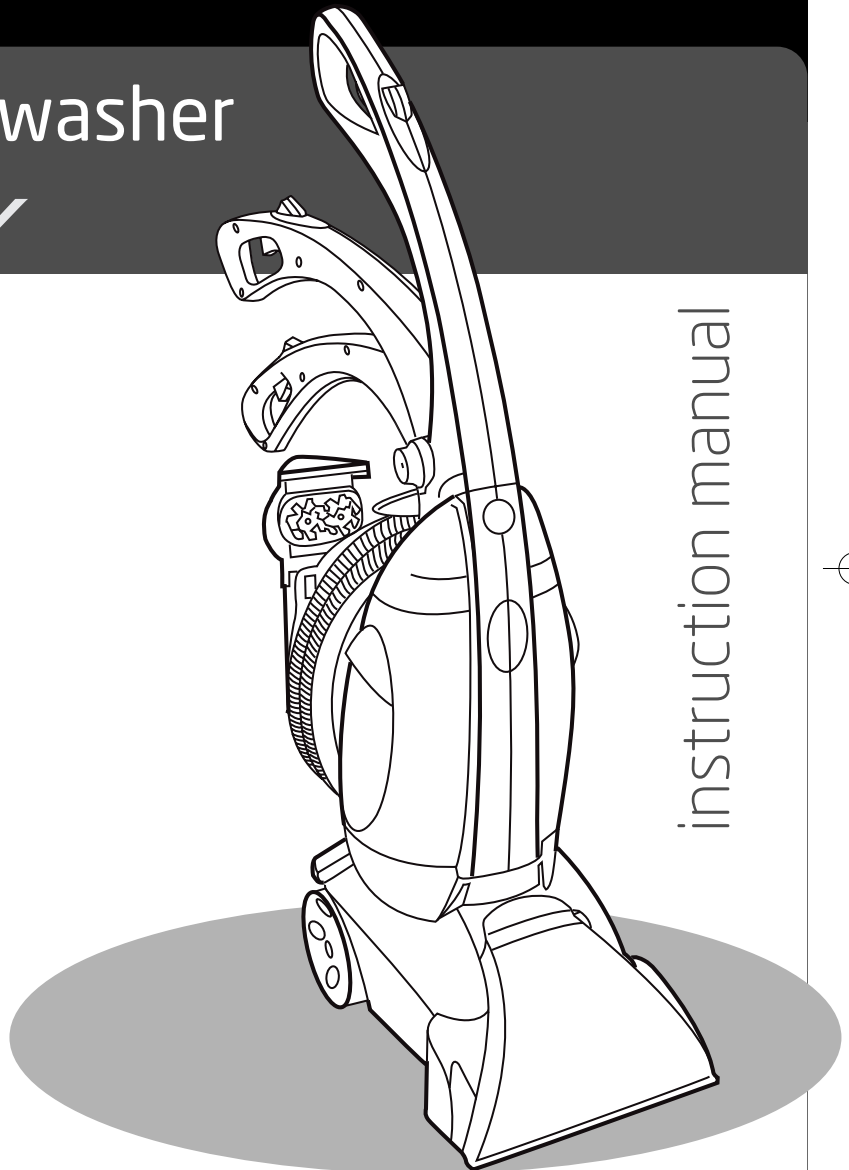




Vax careline
0870 6061248

Carpet washer *agility*

Vax model number:
V-123

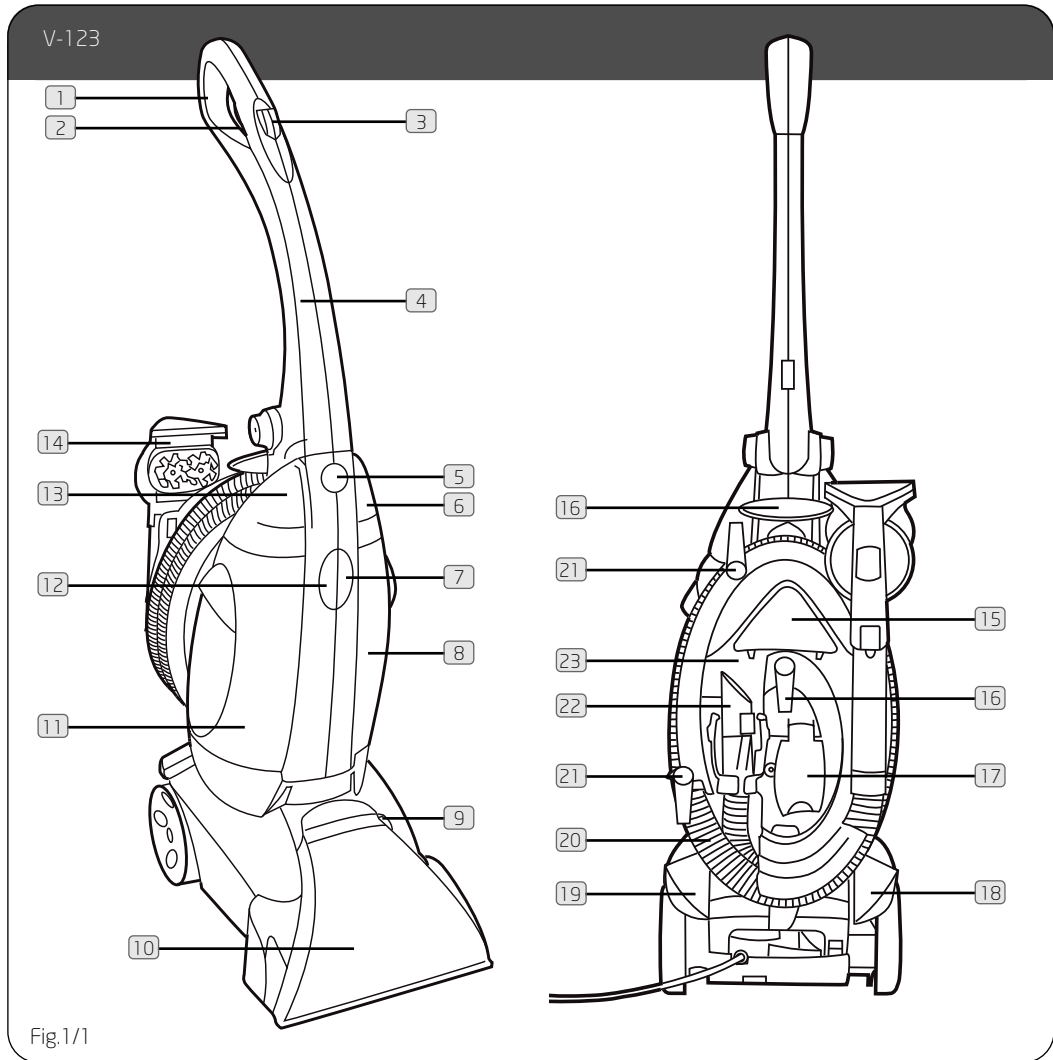


instruction manual

www.vax.co.uk

Please read carefully before using this cleaner.
Always fully extend the mains cable before use.
Retain for future reference.

1. Diagram



- | | | |
|-----------------------------------|-------------------------------------|--------------------------------------|
| 1 Handle grip | 9 Brush setting selector | 17 Hose inlet |
| 2 Solution trigger | 10 Nozzle | 18 Handle release pedal |
| 3 Clean Surge button | 11 Recovery tank | 19 On/Off pedal |
| 4 Upper handle | 12 Recovery tank release button | 20 Hose |
| 5 Upper handle release button | 13 Recovery tank cap | 21 Cable hooks (tool caddy in place) |
| 6 Solution tank cap/measuring cup | 14 Powered SpinScrub hand tool | 22 Hose connector |
| 7 Solution tank release button | 15 Stair/upholstery tool | 23 Tool caddy |
| 8 Solution tank | 16 Cable hooks (tool caddy removed) | |

2 parts overview

2. Safety Information

FOR HOUSEHOLD USE ONLY.

When using the carpet washer, basic safety precautions should always be observed, including the following:

1. Do not leave the carpet washer unattended when plugged in. Unplug it from socket when not in use.
2. To prevent electric shock do not use outdoors.
3. Not to be used as a toy. Children should be supervised to ensure that they do not play with the appliance.
4. This appliance is not intended for use by persons (including children) with reduced physical, sensory or mental capabilities, or lack of experience and knowledge, unless they have been given supervision or instruction concerning the use of the appliance by a person responsible for their safety.
5. Use only as described in this manual.
6. Do not use with a damaged cord or plug. If the supply cord and/or plug is damaged, they must be replaced by the manufacturer, a Vax Service Agent or similarly qualified persons in order to avoid hazard.
7. Do not pull or carry by the cord, use the cord as a handle, allow the cord to come into contact with hot or sharp surfaces or close a door on the cord.
8. Do not unplug by pulling on the cord.
9. Do not handle the plug or carpet washer with wet hands.
10. Do not put any objects into openings or operate with openings blocked, keep them free of anything that may reduce airflow.
11. Keep hair, loose clothing, fingers and all parts of the body away from openings and moving parts.
12. Do not use the carpet washer on any glowing, burning or smoking particles.
13. Do not use without the solution tank and dirty water tank in place.
14. Do not use the carpet washer without the dust bag in place.
15. Turn off all controls before unplugging.
16. Do not use to pick up flammable or combustible liquids such as petrol, or use in areas where they may be present.
17. Keep the unit on the floor.
18. Do not use an extension cord.
19. Do not attempt to remove blockages with sharp objects as they may cause damage.
20. Store indoors put away after use to prevent tripping accidents.

21. Using improper voltage may result in damage to the motor and possible injury to the user. The correct voltage is listed on the rating label.
22. A hazard may occur if the carpet washer runs over the power supply cord.
23. To prevent dirty water from running into motor, do not hold the appliance upside-down or lay on its side. Use appliance in normal vacuuming position.
24. Use extra care when cleaning on stairs.
25. Do not carry appliance while motor is running.

NOTE: Carpets should be dry vacuumed thoroughly before washing.

NOTE: The unit must be unplugged from the mains socket outlet after use, and before cleaning or maintaining the unit.



IMPORTANT: This unit is not intended for commercial use.

PLEASE KEEP THESE INSTRUCTIONS FOR FURTHER USE.

3. Preparing the Cleaner

Raising the Handle

Your cleaner is fully assembled and ready to start cleaning. Raise upper handle (A) to upright position until it locks in place (Fig.3/1).

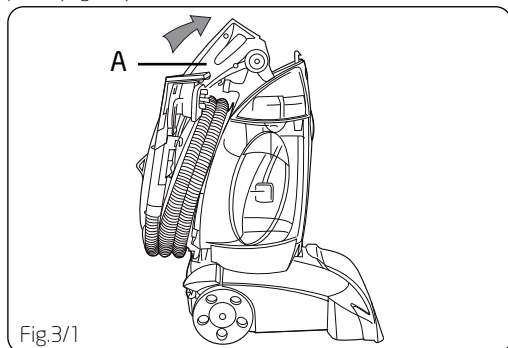


Fig.3/1

To fold handle for storage, press upper handle release button and fold handle back.

Filling the Solution Tank

! IMPORTANT: Unplug deep cleaner from electrical socket before filling or emptying tanks.

Press solution tank release button and remove solution tank (Fig.3/2)

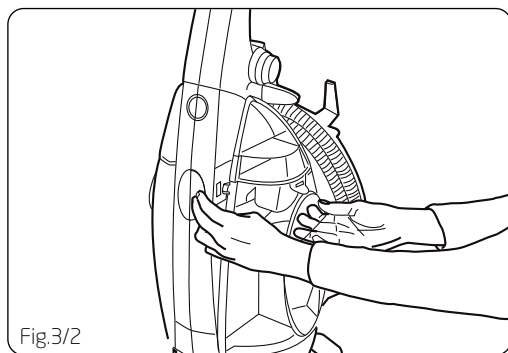


Fig.3/2

Release latches on tank cap and remove (Fig.3/3).

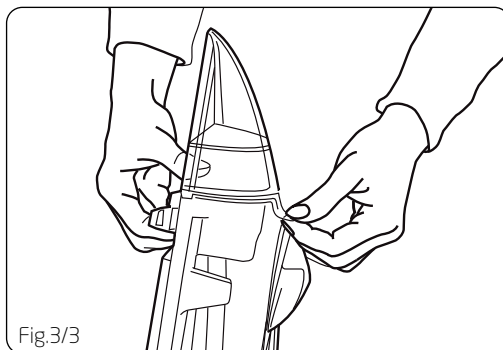


Fig.3/3

Use cap to measure the correct amount of solution according to the instructions on the bottle (Fig.3/4).

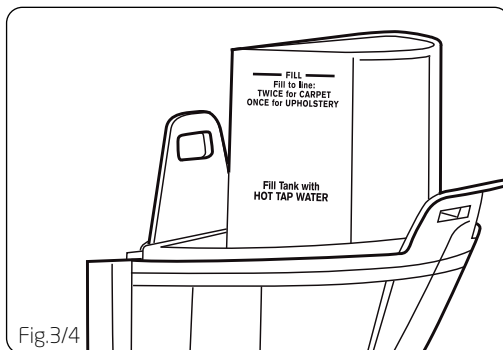


Fig.3/4

Pour solution into tank. Fill tank to fill line with warm tap water (max 50°C) (Fig.3/5).

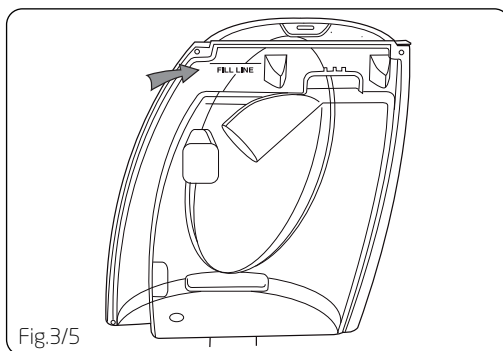


Fig.3/5

Replace cap and secure both latches. Place bottom of tank onto cleaner. Pivot top of tank and snap in place (Fig.3/6).

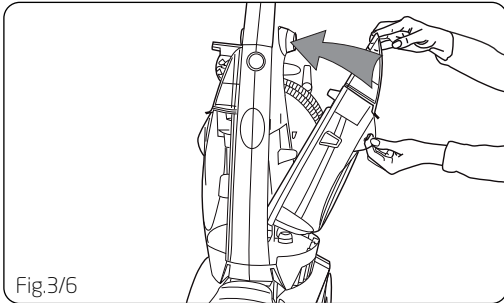


Fig.3/6

⚠ CAUTION: Solutions contain Anionic and Nonionic Surfactants. Avoid contact with the eyes and skin. In case of contact with eyes, flush with cold water for 15 minutes. In case of contact with skin, wash with water. If irritation persists, contact your GP.

Emptying the Recovery Tank

An automatic shut-off device prevents the cleaner from picking up more dirty water than it can hold in the recovery tank. You will know the tank needs to be emptied when:

- The amount of dirty water has reached the full line.
- When the motor sound rises in pitch.
- You do not see dirty solution coming up through the nozzle.
- The float inside the recovery tank has risen to the top of the tank.

Press recovery tank release button and remove tank from the cleaner (Fig.3/7).

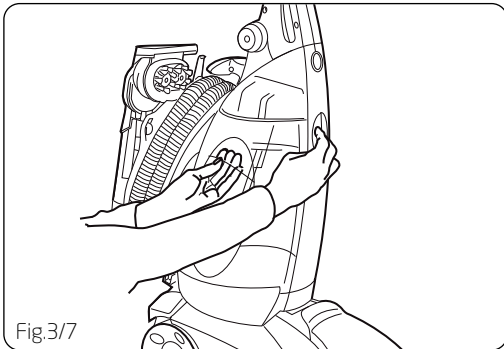


Fig.3/7

Release latches on tank cap and remove cap (Fig.3/8).

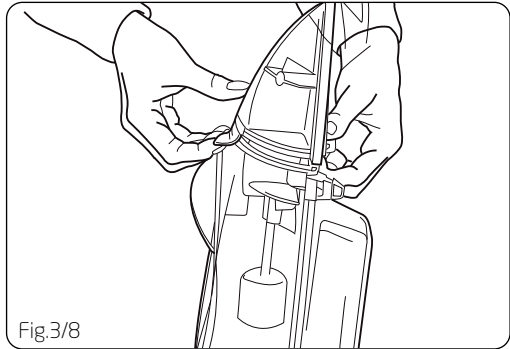


Fig.3/8

Empty tank and replace cap, securing both latches (Fig. 3/9).

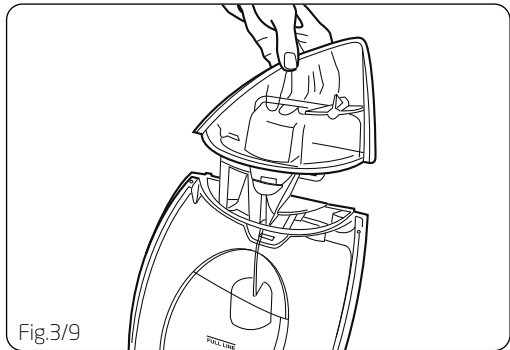


Fig.3/9

Remove any debris that has collected on lint filter (A) on cleaner body. Once clear, place bottom of tank onto cleaner. Pivot top of tank and snap in place (Fig.3/10).

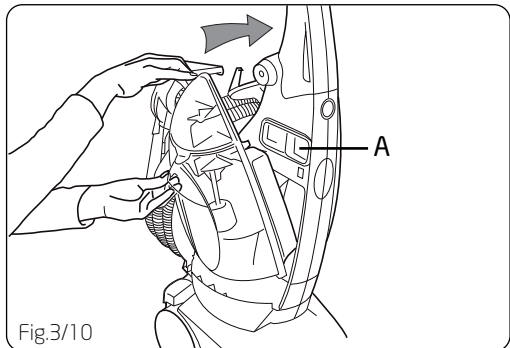


Fig.3/10

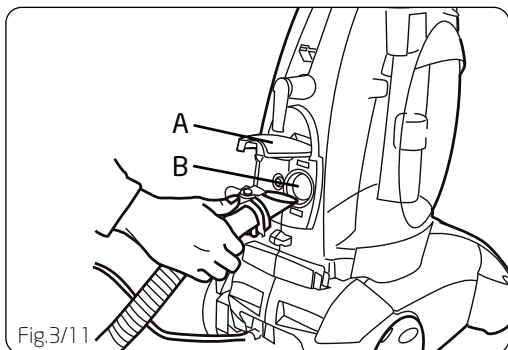
Attach the Hose

Place handle in upright position.

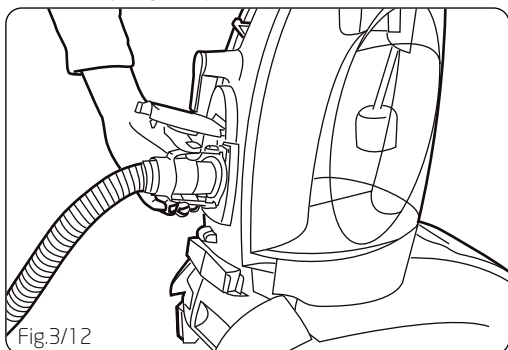
The hose and tool caddy can be removed from the cleaner if you desire. Remove hose from tool caddy.

Open hose inlet (A) on back of deep cleaner. Align hose connector with hose and solution ports (B). Push hose into port and lock in place (Fig.3/11).

www.vax.co.uk



To remove hose: Squeeze the two locking latches on top and bottom of hose. Remove hose from port. Close hose inlet securely (Fig.3/12).



Select Tool

Powered SpinScrub Hand Tool

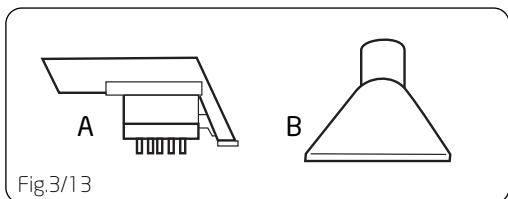
Has rotating brushes (Fig.3/13(A)).

Use on carpet to clean spots, small areas or stairs.

Stair/Upholstery Nozzle

Has built-in brush (Fig.3/13(B)).

Use on small areas of carpet, stairs and upholstery to agitate embedded dirt and stains.



Attach Tool

Slide tool onto hose. Snap tool over tab on hose.

To remove tool: Push forward and up on latch and slide tool off hose.

Drain the hose

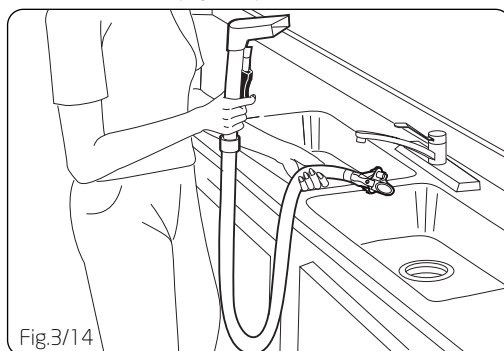
NOTE: The handle must be in the upright position in order to get cleaning solution through the hose.

When finished using the hose and tool, remove water from the hose.

Turn deep cleaner on and hold end of hose up for several seconds. **Do not press trigger.**

Turn deep cleaner off and unplug it.

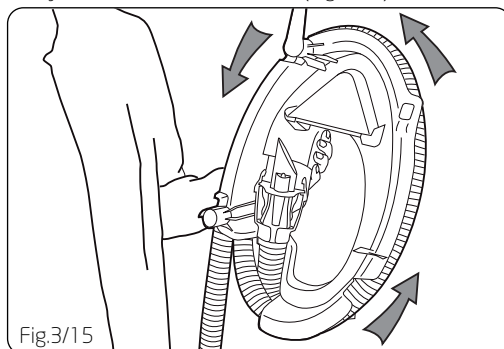
Hold hose connector in sink and press trigger to remove solution from hose (Fig.3/14).



Store Hose

Unplug cleaner from electrical outlet.

Hook hose connector into caddy and wrap hose around caddy in an anticlockwise direction (Fig.3/15).



Hook tool connector, 'SpinScrub' tool and upholstery tool into caddy.

Hose Caddy

You can either store the hose caddy on the cleaner or remove it to store separately.

To store caddy on the cleaner, slide tabs on caddy into slots on back of cleaner. Hook top of caddy to cleaner.

Wrap cable around cable hooks on caddy. Rotate top hook to release cable.

To remove caddy from the cleaner, lift caddy off cleaner and wrap cable around cable hooks on back of cleaner. Rotate bottom hook to release cable.

Brush Speed Selector

Choose ON for normal cleaning of carpet.

Choose OFF for extraction only. When brushing is not required.

Clean Surge Button

Push 'Clean Surge' button to release extra cleaning solution (Fig.3/16).

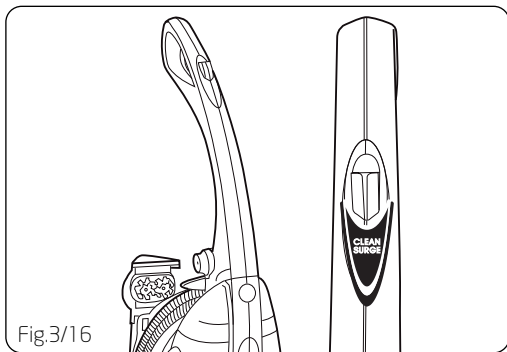


Fig.3/16

Use the 'Clean Surge' button when cleaning heavily soiled areas of carpet (traffic areas, spots, etc.)

4. Cleaning Carpet

Remove lightweight furniture (tables, lamps, etc.) from area to be cleaned.

Protect any remaining furniture by pinning up furniture skirts and placing aluminium foil or plastic under legs.

Vacuum carpet thoroughly to remove loose dirt, hair, lint and other debris.

Test solution for colourfastness on a hidden area of carpet. Wet a white cloth or paper towel with some solution. Gently rub onto a hidden area of carpet. Wait ten minutes. Blot with white cloth or paper towel and check for colour transfer.

Fill solution tank with warm tap water (Max 50°C) and correct amount of Vax cleaning solution as previously directed (Fig.4/1).

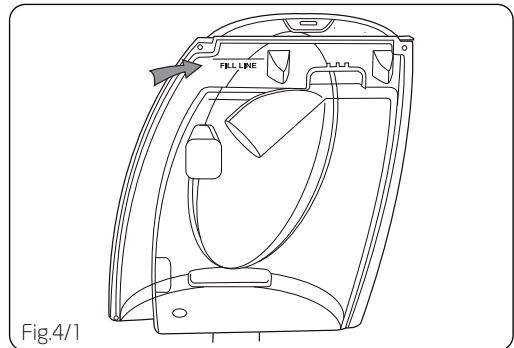


Fig.4/1

NOTE: Use only Vax brand solutions in your deep cleaner. Other brands may damage the deep cleaner.

Plan your cleaning to avoid walking on wet carpet. Start at the end of the room farthest from the exit and work in small sections.

Step on handle release pedal and lower handle. Turn cleaner ON.

Squeeze and hold trigger (A) to release cleaning solution. Push cleaner forward SLOWLY then pull it back SLOWLY. Use 'Clean Surge' button (B) in heavily soiled areas (Fig.4/2).

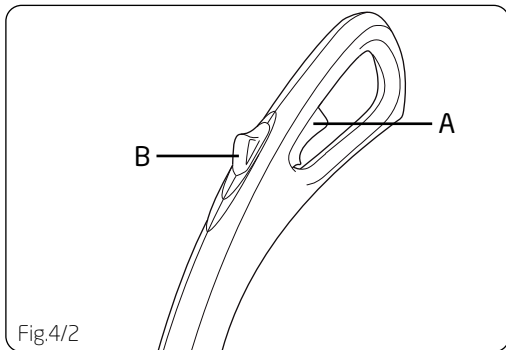


Fig.4/2

Let go of trigger and push cleaner over same area to pick up dirty solution without putting down more solution. Continue using dry strokes until you see only a little solution coming up through the nozzle (front of cleaner).

Do not make the carpet too wet! Use no more than two sets of forward and backward strokes while releasing solution. Always follow with dry strokes - the more the better.

Listen carefully! When the motor sound changes (rises in pitch), the recovery tank needs to be emptied.

NOTE: When water has reached the full line in the recovery tank, the cleaner will NOT pick up any more dirty solution.

Allow carpet to dry. Avoid walking on the carpet until it is dry. Increased air circulation (open doors, turn on fans, etc.) will help carpet dry thoroughly.

Vacuum thoroughly after carpet has dried. This will reduce any shading left by the deep cleaner's brushes.

5. Cleaning Upholstery

Check cleaning instructions on fabric. This indicates whether it is alright to use your deep cleaner to clean the upholstery.

Do not use the deep cleaner on upholstery marked 'Dry Clean Only'. If you are unsure, please refer to the manufacturer's instructions.

Vacuum upholstery thoroughly with your vacuum cleaner's attachments.

Test solution for colourfastness on a hidden area of upholstery. Wet a white cloth or paper towel with some solution. Gently rub onto a hidden area of upholstery. Wait ten minutes. Blot with white cloth or paper towel and check for colour transfer.

Pretreat spots, stains and high traffic areas with Vax stain treatment spray. Spray spot or area, then proceed with the next cleaning steps.

For stubborn spots or stains, refer to the stain guide included with your cleaner.

Fill solution tank with warm tap water (Max 50°C) and correct amount of Vax cleaning solution (Fig.5/1).

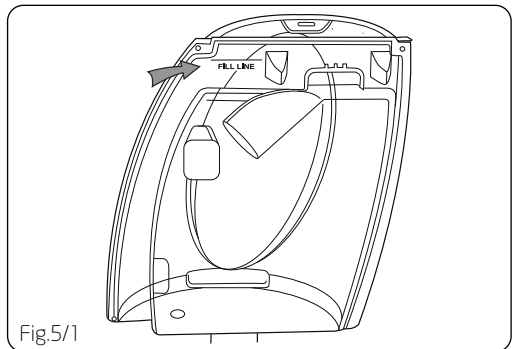


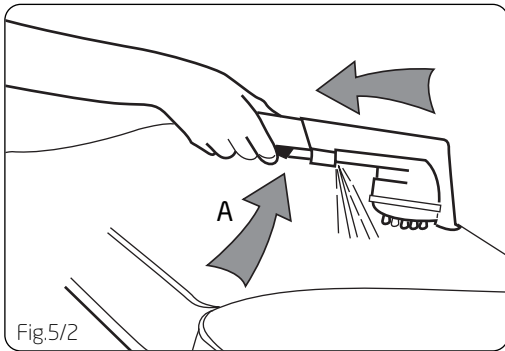
Fig.5/1

NOTE: Use only Vax brand solutions in your deep cleaner. Other brands may damage the deep cleaner.

Attach hose and tool as described in section 3.

Place handle in full upright position. Turn cleaner ON.

Squeeze and hold trigger (A) to release cleaning solution. Gently press tool into fabric and slowly pull the tool over the fabric (Fig.5/2).



Let go of trigger and pull tool over same area to pick up dirty solution without putting down more solution. Continue using dry strokes until you see only a little solution coming up through the tool.

Do not make the upholstery too wet! Use no more than two strokes while releasing solution. Always follow with dry strokes - the more the better.

Listen carefully! When the motor sound changes (rises in pitch), the recovery tank needs to be emptied.

NOTE: When water has reached the full line in the recovery tank, the cleaner will NOT pick up any more dirty solution.

Allow upholstery to dry. Avoid using upholstery until it is dry. Increased air circulation (open doors, turn on fans, etc.) will help upholstery dry thoroughly.

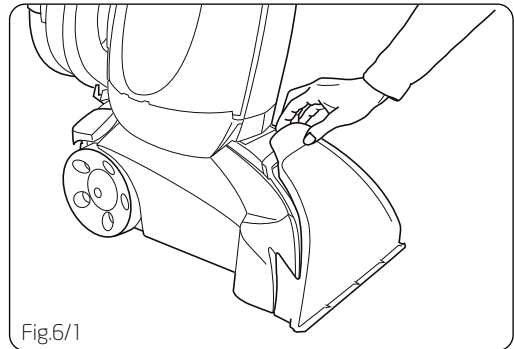
6. Maintenance

Cleaning the Nozzle

Unplug deep cleaner from electrical source.

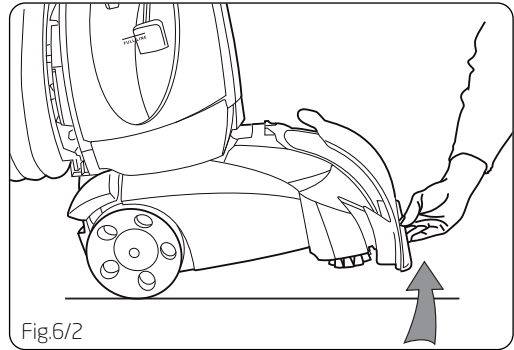
Remove solution and recovery tanks to prevent possible leaks.

Lift up on top of nozzle and slide off cleaner (Fig.6/1).



Wipe debris off nozzle and front of cleaner with a damp cloth.

To replace nozzle, tilt cleaner back, raising front of cleaner off floor. Slide nozzle up from bottom of cleaner (Fig.6/2).



Press on upper portion of nozzle to snap in place.

Cleaning the Brushes

Unplug deep cleaner from electrical source.

Remove solution and recovery tanks to prevent possible leaks.

Tilt cleaner back so handle rests on the floor.

Pull brush assembly firmly to remove (Fig.6/3).

www.vax.co.uk

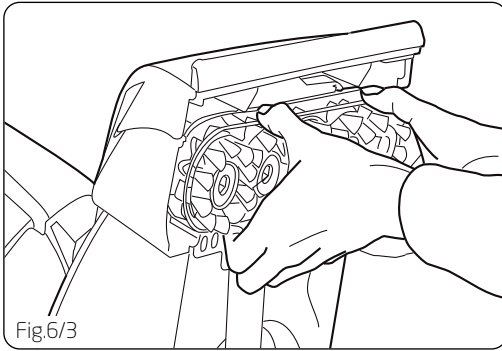


Fig.6/3

Rinse brushes under running water.

To replace, align posts on sides of brush assembly with slots in cleaner. Turn brushes slightly to align square post in the centre of the brush assembly with the square hole in cleaner (Fig.6/4).

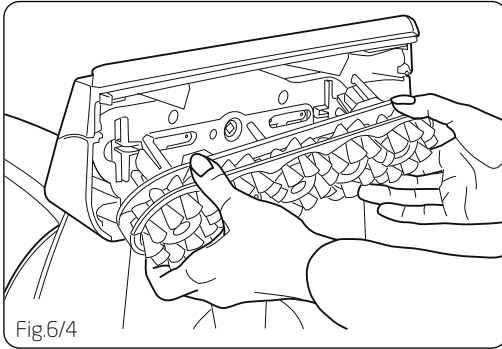


Fig.6/4

Press brush assembly firmly and snap in place.

Cleaning the Brush Filter

Unplug deep cleaner from electrical source.

Remove solution and recovery tanks to prevent possible leaks.

Tilt cleaner back so handle rests on the floor.

Squeeze filter frame and pull it out until it stops (Fig.6/5).

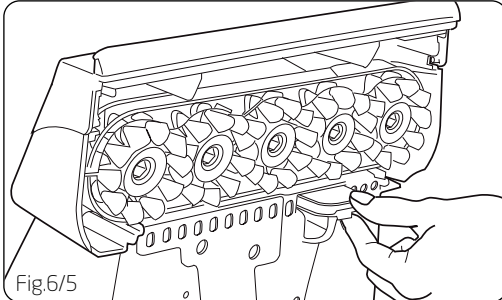


Fig.6/5

Wipe debris off filter.

Slide filter back into place.

Storing the Cleaner

Empty solution tank and rinse thoroughly.

Place empty solution tank on deep cleaner. Turn deep cleaner ON. Squeeze trigger and push deep cleaner forward and back several times. This will clear any solution remaining inside the cleaner.

Empty recovery tank, rinse thoroughly and let air dry.

Allow brushes and underside of deep cleaner to air dry thoroughly before storing deep cleaner on a carpeted or wood surface.

7. Troubleshooting

⚠ WARNING: To reduce the risk of personal injury, unplug the vacuum cleaner before performing maintenance or troubleshooting checks.

PROBLEM: Vacuum cleaner won't run

Cause: Not properly plugged into electrical outlet.

Solution: Plug unit in firmly.

Cause: No electricity in the electrical outlet.

Solution: Check fuse or breaker.

Cause: Cleaner requires service.

Solution: Take your cleaner to a service centre. Call 0870 606 1248 to find your nearest Vax approved service agent.

PROBLEM: Cleaner won't pick up/loss of suction.

Cause: Recovery tank full - automatic shut-off engaged.

Solution: Empty recovery tank.

Cause: Recovery tank not fitted securely.

Solution: Ensure tank is fitted fully and tank cap is securely latched.

Cause: Blockage in hose.

Solution: Remove hose and tools, remove obstruction.

PROBLEM: Cleaning solution won't dispense

Cause: Solution tank not fitted correctly.

Solution: Ensure tank is fitted securely in place.

Cause: Solution tank empty.

Solution: Refill solution tank.

PROBLEM: Brushes won't rotate.

Cause: Brush filter clogged.

Solution: Clean brush filter. Refer to page 10.

Cause: Brush Speed Selector set to OFF.

Solution: Set Brush Speed Selector set to ON.

Cause: Unit standing in upright position.

Solution: Recline unit.

8. UK Service & Help

Vax Care 0870 6061248

Monday-Friday 8.00am to 6.00pm.

Saturday-Sunday 9.00am to 5.00pm.

An answerphone will be available out of these hours. Any queries or concerns about using your Vax, call the Vax Careline. Calls are charged at the UK national rate.

Please make a note of the model number and serial number of your Vax before calling. There are over 400 approved Vax Service Agents in the UK. For the nearest Vax Service Agent, please call the Vax Careline or visit www.vax.co.uk

9. Technical Specification

Voltage: 220-240V ~50Hz

Wattage: 1400W

Capacity: Clean water tank - 3.7 litres

Dirty water tank - 2 litres

Filters: Dirty water tank filter

Cord length: 8m

Weight: 11.3kg

Subject to technical change without notice.





EEC STATEMENT OF COMPLIANCE

Manufacturer/EEC importer: Vax Limited, hereby on our own responsibility, declare that the V-123 Agility is manufactured in compliance with the following Directives:

Safety: 2006/95/EC Low Voltage Directive

EMC: 2004/108/EC Electromagnetic Compatibility Directive



Waste electrical products should not be disposed of with household waste. Please recycle where facilities exist. Check with your Local Authority or retailer for recycling advice.

Vax Ltd., Kingswood Road, Hampton Lovett, Droitwich, Worcestershire, WR9 0QH, UK
email: info@vax.co.uk - website: www.vax.co.uk