

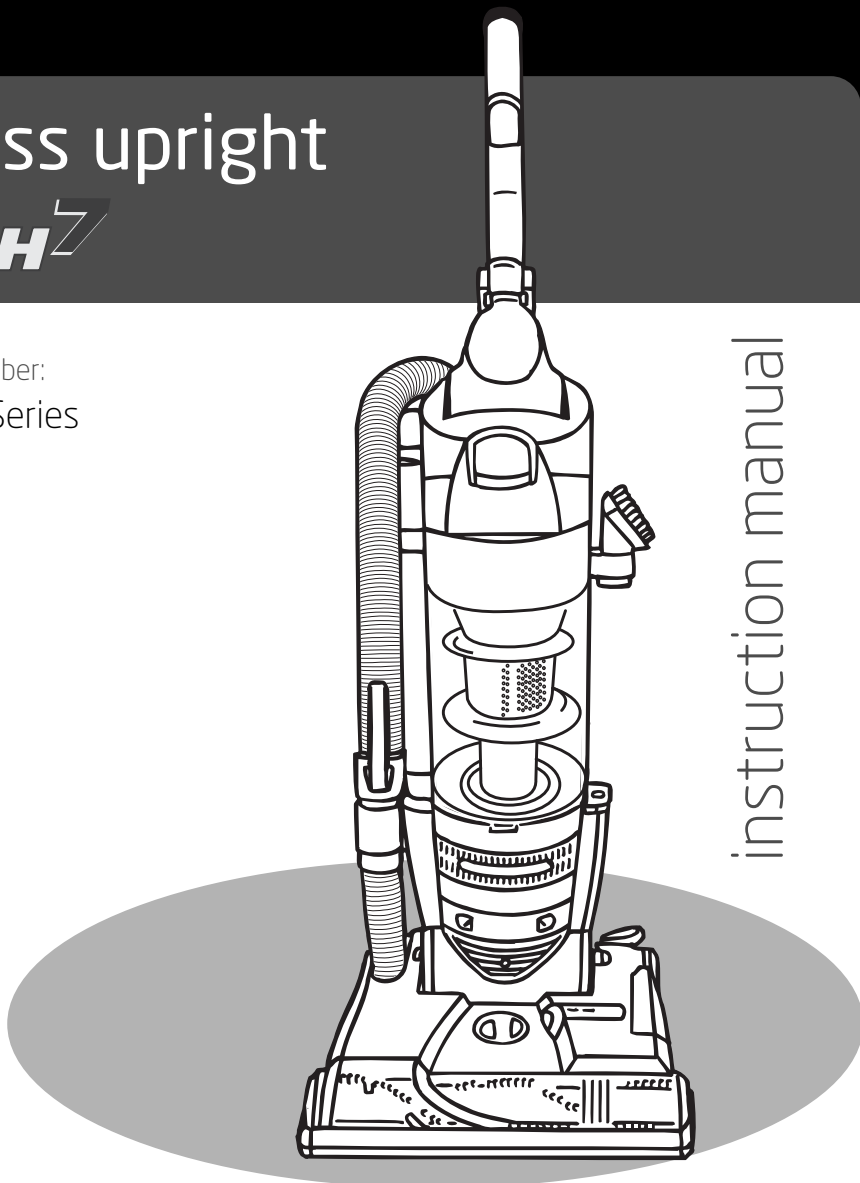


Vax careline
0870 6061248

Bagless upright

MACH^Z

Vax model number:
VZL-6017 Series



instruction manual

www.vax.co.uk

Please read carefully before using this cleaner.
Always fully extend the mains cable before use.
Retain for future reference.

1. Diagram

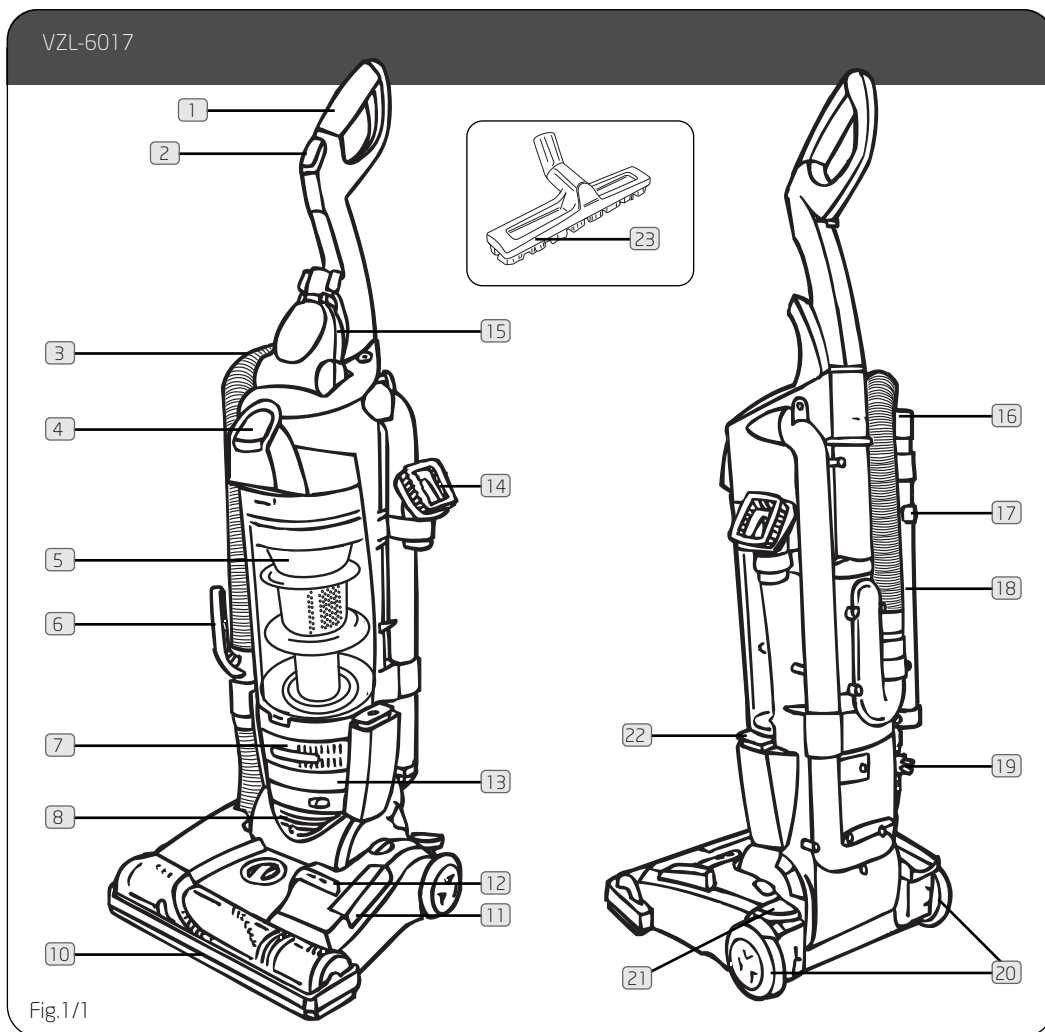


Fig.1/1

- | | | |
|--|--|---|
| 1 Soft Touch handle grip | 10 Furniture guard: helps prevent cleaner from marking furniture | 18 Extension wands |
| 2 On/Off switch | 11 Brush bar shut-off pedal | 19 Cord reel |
| 3 Hose | 12 Brush bar shut-off indicator | 20 Soft Touch™ wheels |
| 4 Dirt cup release button | 13 Exhaust filter access | 21 Handle release pedal: step on lever to lower handle to operating or low positions |
| 5 Dirt cup assembly | 14 Combination tool | 22 Cord rewind button: press button to rewind cord for storage. Hold plug until cord is rewound |
| 6 Hose handle | 15 TurboTool | 23 Hard Floor Brush (VZL-6017HF and VZL-6017A only) |
| 7 Cord reel window/ Exhaust vent | 16 Crevice tool | |
| 8 Headlight | 17 Hose/tool holder | |
| 9 Nozzle control knob: turn knob to correct setting for height of carpet being cleaned | | |

2 parts overview


2. Safety Information


For Household Use Only


When using the vacuum cleaner, basic safety precautions should always be observed, including the following:


1. Only use the vacuum cleaner indoors on dry surfaces.
2. Turn off the vacuum cleaner controls before connecting or disconnecting from the mains supply.
3. Always unplug the vacuum cleaner before connecting or disconnecting the vacuum hose and accessories.
4. This appliance is not intended for use by persons (including children) with reduced physical, sensory or mental capabilities, or lack of experience and knowledge, unless they have been given supervision or instruction concerning use of the appliance by a person responsible for their safety. Children should be supervised to ensure that they do not play with the appliance.
5. Use only as described in this manual. Use only the manufacturer's recommended attachments.
6. Do not use the vacuum cleaner if it has been dropped, damaged, left outdoors or dropped into water. Do not use the vacuum cleaner with a damaged cord or plug. If the supply cord or plug is damaged, return the vacuum cleaner to a Vax Authorised Service Agent or suitably qualified person for examination, repair or adjustment.
7. Do not pull or carry by the cord. Do not use the cord as a handle, close a door on the cord or pull the cord around sharp edges or corners. Do not run the vacuum cleaner over the cord. Keep the cord away from heated surfaces.
8. Do not handle the plug or vacuum cleaner with wet hands. Do not use outdoors or on wet surfaces.
9. Do not put any objects into openings. Do not use with any openings blocked and do not restrict air flow. Keep all openings free of dust, lint, hair or anything that may reduce airflow.
10. Keep hair, loose clothing, fingers and all parts of the body away from openings and moving parts.
11. Do not pick up hot coals, cigarette butts, matches or any hot, smoking or burning objects.
12. Do not pick up flammable or combustible materials (lighter fluid, petrol, kerosene, etc) or use in the presence of explosive liquids or vapours.
13. Do not vacuum up harmful or toxic material (chlorine bleach, ammonia, drain cleaner, etc).

14. Do not vacuum up hard or sharp objects such as glass, nails, screws, coins, etc.
15. Do not use without the filters in place.
16. Take extra care when vacuuming on stairs.
17. Keep vacuuming area well lit.
18. Store the vacuum cleaner indoors in a cool, dry area.
19. Turn off the on/off switch before unplugging the vacuum cleaner.
20. Use only CE-approved 13 amp extension cords. Non-approved extension cords may overheat. Care should be taken to arrange the cord so that the cord cannot be pulled or tripped over.

 **WARNING:** Always switch off and unplug the vacuum cleaner from the electrical outlet before assembling, opening or emptying the dirt container, or before connecting/disconnecting the attachments.


 **CAUTION:** The vacuum cleaner is a very powerful unit. Before plugging the cord into the electrical outlet, make sure the switch is in the 'off' position. Hold the vacuum cleaner firmly when starting and in use.

 **IMPORTANT:** If the inlet, hose or extension tube is blocked, switch off the vacuum cleaner and remove the blockage(s) before re-starting the vacuum cleaner.

 **IMPORTANT:** Cleaning filters regularly improves vacuum performance. Make sure all filters are replaced back into the vacuum cleaner before using. This vacuum cleaner is intended for household use only and not for commercial or industrial use.

PLEASE KEEP THESE INSTRUCTIONS FOR FURTHER USE.

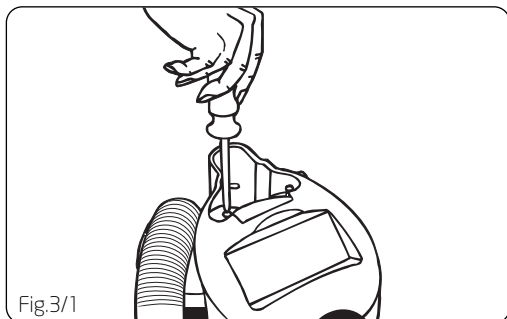
Motor Thermostat

 **IMPORTANT:** The motor is equipped with a thermal cut-out. If for any reason, the vacuum cleaner should over-heat, the thermostat will automatically turn the unit off. Should this occur, unplug the vacuum cleaner from the electrical outlet and turn off the switch. Remove the dirt container and empty. Clean the filters. Allow the cleaner to cool for approximately one (1) hour. To re-start, plug into an electrical outlet and switch back on.

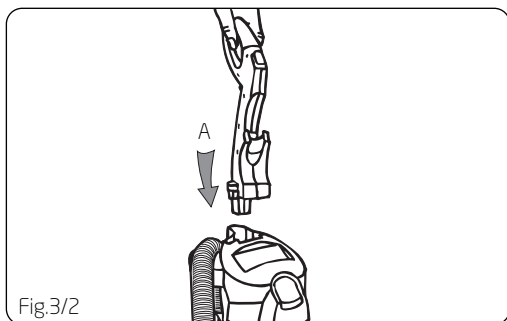
3. How to assemble

Attach Handle

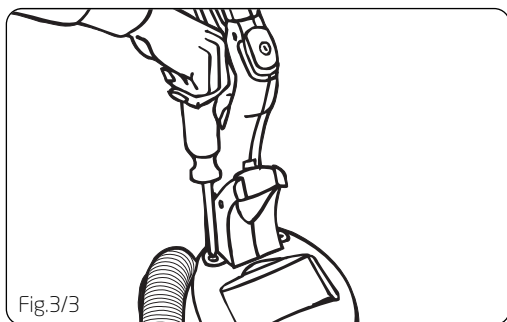
Using a Phillips screwdriver, remove (2) screws from the top of the upper housing assembly (Fig.3/1).



Insert handle section (A) into upper housing assembly. Push down firmly until you hear a click (Fig.3/2).



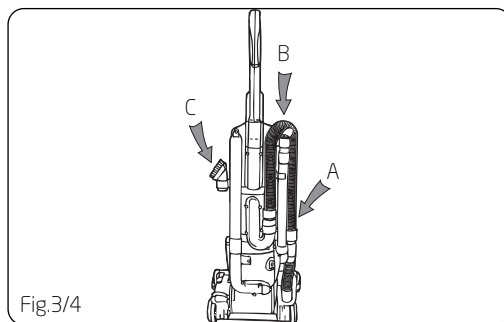
Fasten (2) screws on either side of handle base (Fig.3/3).



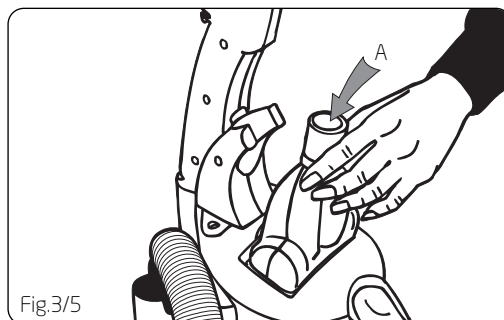
Position Tools

Place smaller diameter end of wand (A) into bottom of holder. Snap wand into clip at top. Repeat with other wand.

Crevice tool (B) fits into one of the extension wands. Fit combination tool (C) into storage area on side of



cleaner as shown (Fig.3/4).

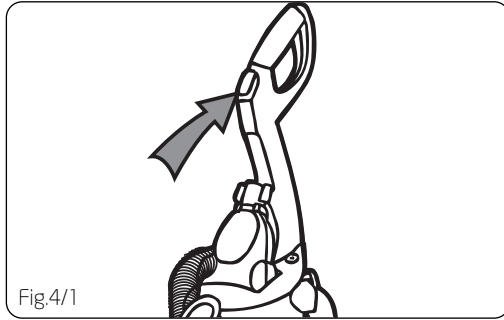


Fit TurboTool (A) into recessed area on front of cleaner. Pivot toward handle to snap in place (Fig.3/5).

4. How to operate

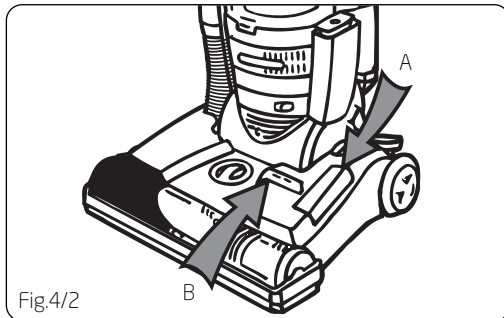
On/Off Switch

Plug cord into electrical outlet. To turn cleaner ON, push ON/OFF switch once. To turn cleaner OFF, push switch again (Fig.4/1).



Brush bar Switch

The cleaner is shipped with the brush bar in the OFF position. To turn the brush bar ON, step on the pedal (A). The indicator (B) will show red in the "brush bar on" window (Fig.4/2).



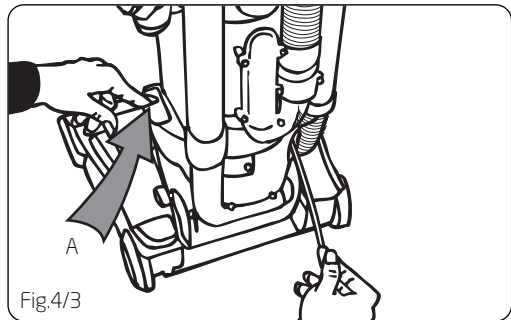
window (Fig.4/2).

Cord Rewind

Grasp the end of the plug and pull to release cord from cord reel. After desired cord length is reached, the cord will lock into position.

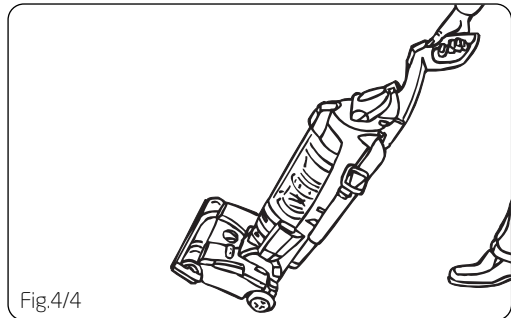
Pull cord all the way out each time cleaner is used to avoid heating of cord (Fig.4/3).

NOTE: To prevent cord from whipping, hold plug until cord is rewound.



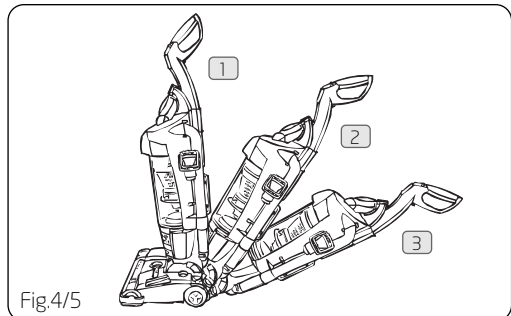
Transporting Cleaner

To move your cleaner from room to room, put handle in upright position, tilt cleaner back on rear wheels and push forward (Fig.4/4).



Handle Positions

The handle of your cleaner has three positions; upright for storage and when using cleaning tools; operating position for general operation on carpet and floors; low for reaching under low furniture. Step on handle release lever to lower handle (Fig.4/5).



Carpet Height Adjustment

The cleaning of carpet and rugs takes place at the nozzle (A). When it is necessary to raise and lower the nozzle for various carpet pile heights, turn the nozzle control knob (B) to the desired setting (Fig.4/6).

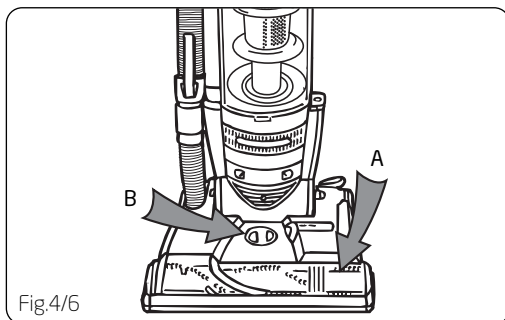


Fig.4/6

Settings

For maximum cleaning performance, the following carpet height settings are recommended (Fig.4/7):

- Lowest setting for all types of carpet.

NOTE: If the cleaner is difficult to push, turn knob to the next higher setting.

- Higher settings: for very deep pile carpet, where easier pushing effort is desired, while maintaining good cleaning performance.

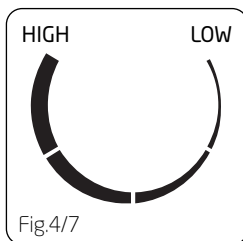


Fig.4/7

Brush bar Shut-off

The brush bar shuts off automatically for tool use, when the cleaner is in the upright position. To manually shut off the brush bar for cleaning hard floors, step on the pedal (A). The indicator (B) will show red in the "brush bar off" window. To turn the brush bar on, step on the pedal again. The indicator will show red in the "brush bar on" window. (Fig.4/8)

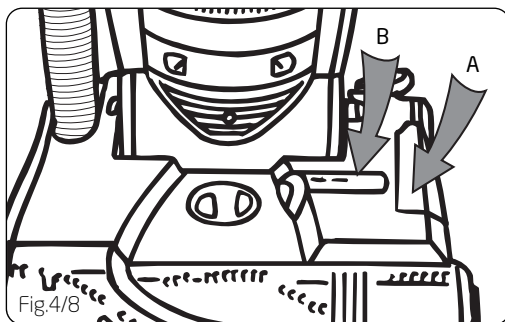


Fig.4/8

5. Accessories

Select proper tool (Fig.5/1)

A. Combination tool: use with brush for carved furniture, table tops, books, lamps, lighting fixtures, venetian blinds, skirting boards, shutters, and registers. Remove brush (Fig.5/3) to clean upholstered furniture, mattresses, clothing, and carpeted stairs.

B. TurboTool: may be used for upholstered furniture, mattresses, clothing, automobile interiors, and carpeted stairs.

C. Crevice tool: may be used in tight spaces, corners and along edges in such places as upholstered furniture, stairs and skirting boards.

D. Wands: are used to give extra length to your hose. Use them with any of the above tools.

E. Hard floor brush (Models VZL-6017HF and VZL-6017A only): used to vacuum any kind of hard floor.

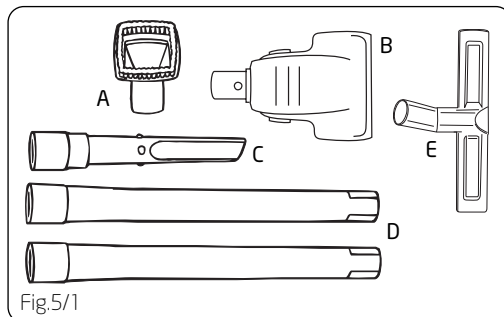


Fig.5/1

Attach Wand and Tools

Attach tool or wand to the hose (A).

Attach tool to wand (B) by pushing it firmly onto the wand.

Twist wand or tool slightly to tighten or loosen the connection (Fig.5/2).

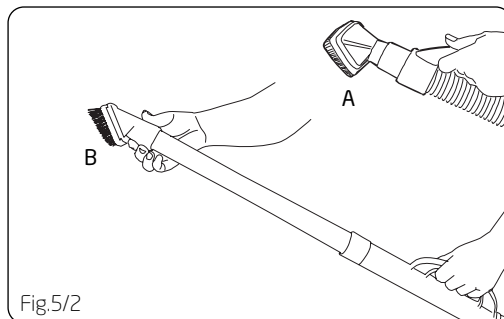


Fig.5/2

Combination Tool

Slide brush to remove. To replace brushes, align brushes, align bottom of brush with grooves (A) on tool. Slide brush into place (Fig.5/3).

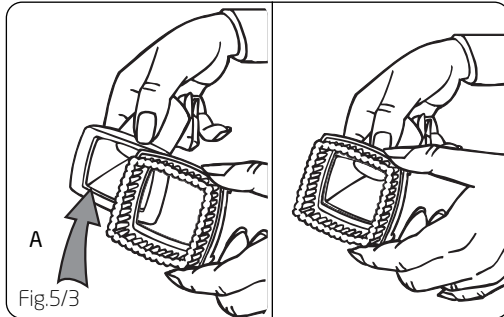


Fig.5/3

Stair Cleaning

Use the hose and Turbo Tool for stair cleaning. Clean from bottom to top

⚠ CAUTION: To avoid personal injury or unnecessary wear to carpet, and to prevent the cleaner from falling, always place it at bottom of stairs.

Extra Reach Hose (Models VZL-6017C and VZL-6017A only)

The Extra Reach hose provides easier cleaning of stairs and hard to reach places.

Follow the steps below for attaching and detaching the Extra Reach hose.

Turn cleaner OFF before disconnecting and connecting hose. Remove hose end from dirt duct (A) (Fig.5/4).

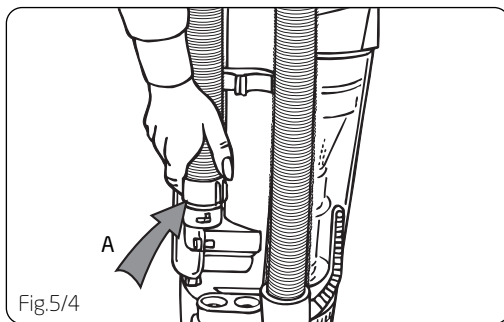


Fig.5/4

Align end of Extra Reach hose with projections (B) over slots on dirt duct (C). Slide hose into slots and twist hose to lock it into place.

Align end of hose with projections (D) over slots (E) on Extra Reach hose.

Slide hose into slots and twist hose to lock it into place (Fig.5/5). (To detach hose, reverse procedure.)

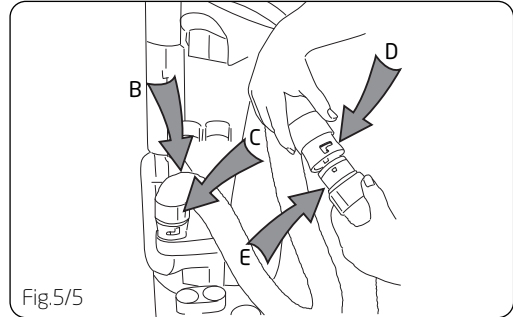


Fig.5/5

Attach wands or tools to the other end of hose.

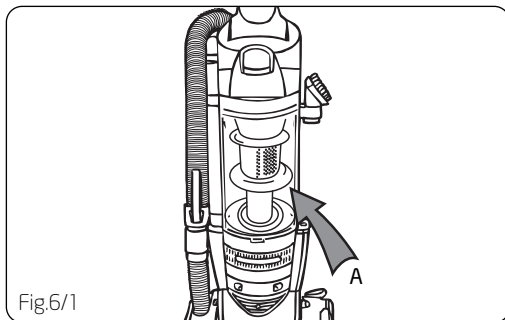
Note: Hose must be connected to dirt duct and hose tube after removing Extra Reach hose for carpet or floor cleaning.

6. Maintenance

! Familiarise yourself with these home maintenance tasks as proper use and care of your cleaner will ensure continued cleaning effectiveness.

Emptying the Dirt Cup

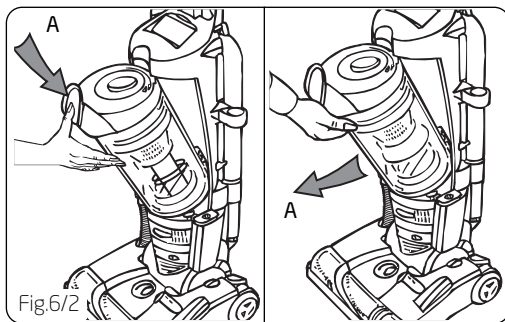
Empty the dirt cup before the dirt reaches the fill line (A). Place the cleaner in the upright position before removing the dirt cup (Fig.6/1).



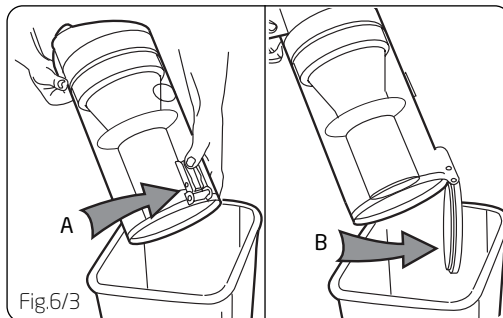
Disconnect cleaner from electrical outlet. Do not use cleaner without dirt cup or filters in place.

CAUTION: Very fine materials, such as plaster dust or cornstarch, may seal the filter and cause a reduction in performance. When using the cleaner for this type of dust, empty the cup and clean the filters often.

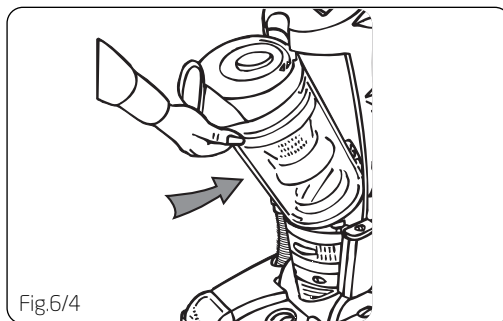
Press dirt cup release button (A) and pivot cup out (Fig.6/2).



Holding dirt cup over trash receptacle, press dirt cup door release button (A) to open dirt cup door (B) (Fig.6/3).

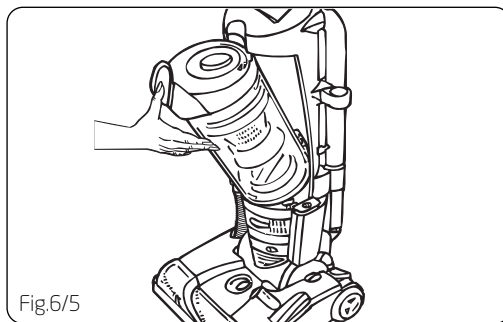


Close door and press dirt cup door release button to latch dirt cup door closed. Place bottom of dirt cup into cleaner body first. Pivot cup into cleaner body (Fig.6/4).



Press on dirt cup release button while firmly pressing on dirt cup.

Release button in order for it to return to proper position and lock the dirt cup into place (Fig.6/5).



Cleaning the Filters

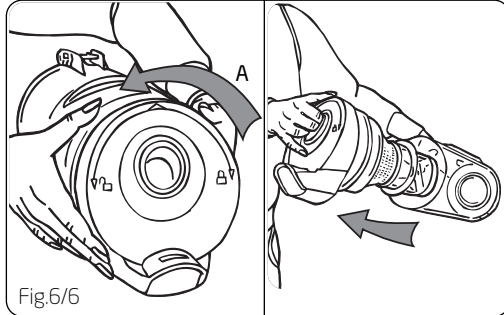
Cyclonic Filter Assembly

! **IMPORTANT:** Disconnect cleaner from electrical outlet. Do not operate cleaner without dirt cup or filters in place.

Remove dirt cup as previously described (Fig.6/2).

Twist filter assembly (A) counterclockwise.

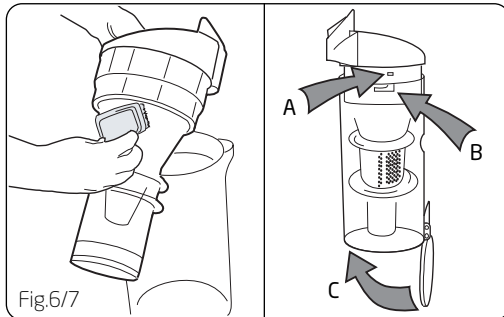
Remove assembly from dirt cup (Fig.6/6).



Dirt and debris can be cleaned from the filter assembly by brushing with the cleaner's combination tool.

Place the filter assembly on the dirt cup, aligning (3) tabs (A) on filter with (3) slots on dirt cup (B) and twist it clockwise to secure into position.

Press dirt cup door release button (C) to latch dirt cup door closed (Fig.6/7).



Replace dirt cup as described in Figs.6/4 and 6/5.

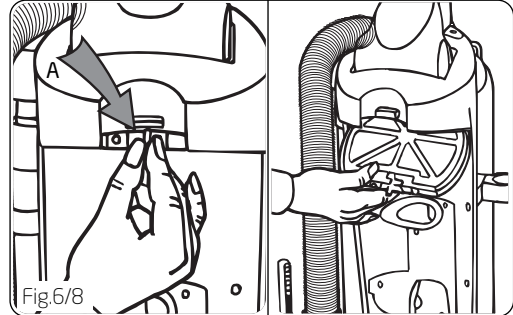
Secondary Filter

! **IMPORTANT:** Disconnect cleaner from electrical outlet. Do not operate cleaner without dirt cup or filters in place.

Remove dirt cup as previously described (Fig.6/2).

With thumb and forefinger, slide latch (A) located at the top of the housing to the right and pull down to remove gray filter frame.

Remove black foam filter. Rinse filter frame cartridge and foam filter under cold water (Fig.6/8).



Allow both filter frame and filter to air dry for 24 hours before replacing filter into filter frame.

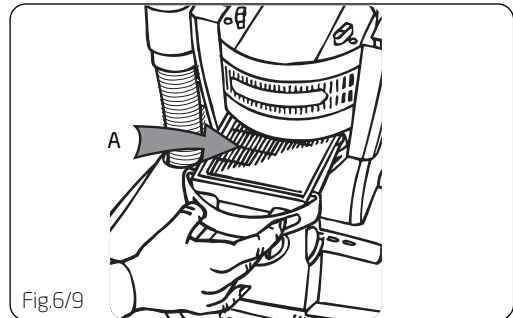
Reposition filter frame cartridge by inserting tabs into slots on back of housing.

Rotate filter cartridge frame up toward top of housing and snap closed.

HEPA Final Filter

! **IMPORTANT:** Disconnect cleaner from electrical outlet. Do not operate cleaner without dirt cup or filters in place.

With fingers in slots, pull filter frame (A) straight out (Fig.6/9).



Dirt and debris can be cleaned from the filter cartridge by brushing with the cleaner's combination tool,

! **IMPORTANT:** Do not rinse or wash the HEPA filter cartridge.

www.vax.co.uk

Headlight

! **IMPORTANT:** Disconnect cleaner from electrical outlet.

Removing Headlight Lens

Press handle release pedal and place handle in low position. Using a Phillips screwdriver, remove the screw as shown and lift off lens (Fig.6/10).

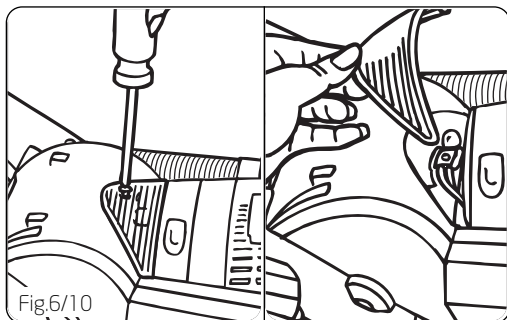


Fig.6/10

Installing Headlight Bulb

Pull old bulb straight out of socket. Push new bulb straight into socket until locked in place. Excessive force is not required. (Fig.6/11). For replacement bulbs please call Vax Care line.

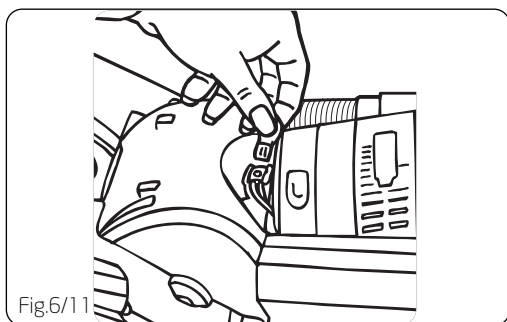


Fig.6/11

Replacing Headlight Lens

Reposition lens and secure with the screw (Fig.6/12).

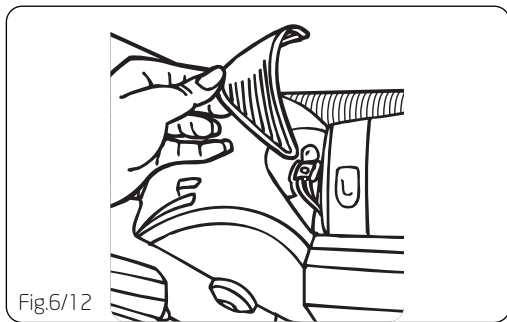


Fig.6/12

Belts

! **IMPORTANT:** Disconnect cleaner from electrical outlet.

! **WARNING:** Brush bar can start suddenly. Unplug cleaner before turning it over.

The belts are located under the bottom plate of the cleaner and should be checked from time to time to be sure they are in good condition.

Replacing Flat Belt

Replace belt if it is stretched, cut or broken. To check the flat belt, refer to Fig.6/13.

Removing Bottom Plate

Place handle in low position and turn cleaner over so bottom side is facing up. Remove the 6 screws as shown with a Phillips screwdriver. Lift off bottom plate (Fig. 6/13).

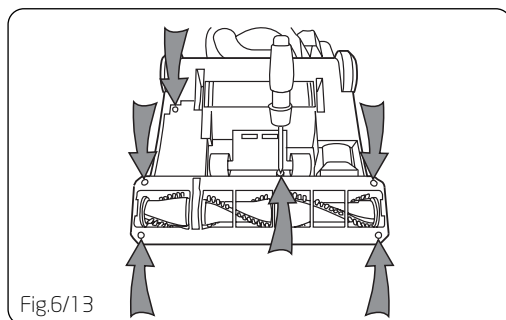


Fig.6/13

Removing Belt

Remove used belt (A) from large pulley (B) and discard (Fig.6/14).

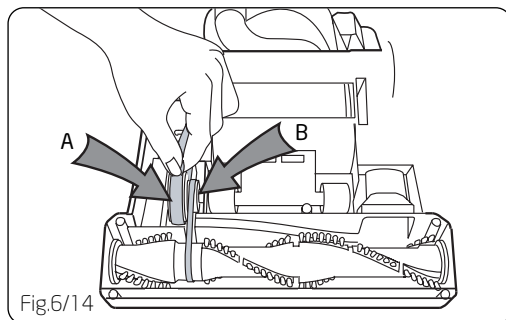


Fig.6/14

Positioning Belt

With lettering on outside of belt, slide new belt over motor shaft (A). Place other end of belt over large pulley (B) while rolling the pulley in direction shown. Turn brush bar making sure belt turns freely and is not pinched between brush bar and agitator shield (Fig.6/15).

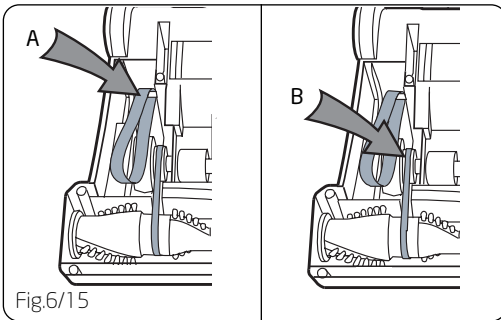
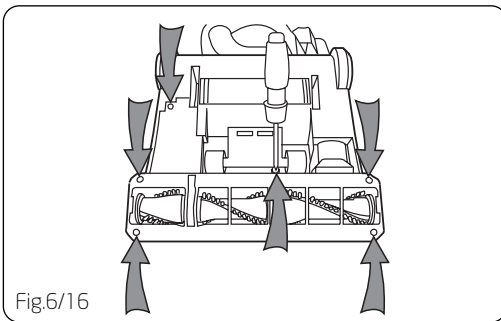


Fig.6/15
Reposition bottom plate and 6 Phillips head screws. Tighten screws securely (Fig.6/16).



Inspecting V-Belt

The V-belt is designed to last for a long time and is not normally replaced. However, if the V-belt is cracked, gouged or broken, it should be replaced.

Slide flat belt off large pulley as shown in Fig.6/14.

To remove V-belt, slide back of belt over pulley (A). Then firmly pull on belt and 'snap' it out. Discard used belt.

To install new belt (with lettering on outside of belt), slide back of belt over pulley and pull front of belt toward groove (B) next to pulley. Belt will 'pop' into place (Fig.6/17).

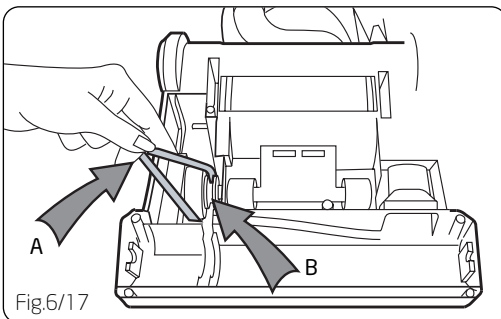


Fig.6/17

Insert brush bar through belt at position belt in groove (A) on brush bar (Fig.6/18).

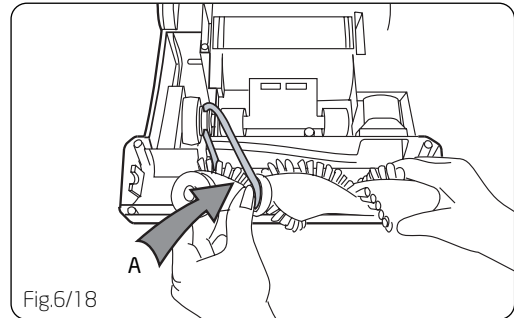


Fig.6/18

Brush bar

! **IMPORTANT:** Disconnect cleaner from electrical outlet.

! **WARNING:** Brush bar can start suddenly. Unplug cleaner before turning it over.

Replacing Brush bar

When agitator brushes are worn, the brush bar should be replaced.

Inspecting Brush bar

To check condition of brushes, move edge of a card across bottom plate while turning brush bar.

To maintain cleaning effectiveness, replace brush bar if brushes do not touch card (Fig.6/18).

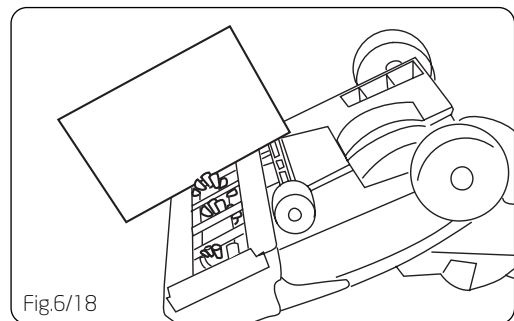



Fig.6/18

7. Troubleshooting

 **WARNING:** To reduce the risk of personal injury, unplug vacuum cleaner before servicing.

PROBLEM: Cleaner won't run

Cause: Not properly plugged into wall outlet.

Solution: Plug in firmly.

Cause: No electricity in wall outlet.

Solution: Check fuse or breaker.

Cause: Blown fuse/tripped breaker.

Solution: Reset circuit breaker or replace fuse.

Cause: Motor thermostat tripped.

Solution: Switch off and unplug the vacuum cleaner. Leave for one (1) hour. See page 3.

PROBLEM: Cleaner/tools won't pick up

Cause: Broken or worn belt.

Solution: replace belt.

Cause: Brush bar worn.

Solution: Replace brush bar.

Cause: Dirt container full.

Solution: Empty dirt container.

Cause: Incorrect carpet height setting.

Solution: Move carpet height adjuster to lower setting.

Cause: Blockage in air flow passages.

Solution: Clear blockage.

PROBLEM: Cleaner hard to push

Cause: Incorrect carpet height setting.

Solution: Move carpet height adjuster to higher setting.

PROBLEM: Smoky/burning smell detected

Cause: Belt broken or stretched.

Solution: Replace brush bar as described in section 6.

PROBLEM: TurboTool brush bar won't turn

Cause: Too much pressure being applied to tool.

Solution: Continue using tool applying light pressure.

Cause: Blockage in turbine channel.

Solution: Remove blockage.

Cause: Low cleaner suction.

Solution: Check items under "Cleaner/tools won't pick up" above.

8. UK Service & Help

Vax Care 0870 6061248

Monday-Friday 8.00am to 6.00pm.

Saturday-Sunday 9.00am to 5.00pm.

An answerphone is available outside of these hours. Any queries or concerns about using the Vax, call the Vax Careline. Calls are charged at the UK national rate. Please make a note of the serial number and model number of the carpet cleaner before calling. There are over 400 approved Vax Service Agents in the UK. For the nearest Service Agent, please call the Vax Careline.

www.vax.co.uk

9. Technical Specification

Voltage: 230 - 240V ~50Hz
Wattage: 1500W
Capacity: 2.6l
Filters: Pre-motor filter assembly
HEPA post motor filter
Cord Length: 8.3m
Weight: 11.8kg

Subject to technical change without notice.



This page has been left intentionally blank.

This page has been left intentionally blank.



EEC STATEMENT OF COMPLIANCE

Manufacturer/EEC importer: Vax Limited, hereby on our own responsibility, declare that the VZL-6017 Mach 7 upright vacuum cleaner is manufactured in compliance with the following Directives:

Safety: 2006/95/EC Low Voltage Directive

EMC: 2004/108/EC Electromagnetic Compatibility Directive



Waste electrical products should not be disposed of with household waste. Please recycle where facilities exist. Check with your Local Authority or retailer for recycling advice.

Vax Ltd., Kingswood Road, Hampton Lovett, Droitwich, Worcestershire, WR9 0QH, UK
email: info@vax.co.uk - website: www.vax.co.uk